

# Wireless Control TXZ

TXZ is a RF remote controller designed for home care and furniture applications, which is designed to pair with TXA receiver adapter to work with TW61 double motor.

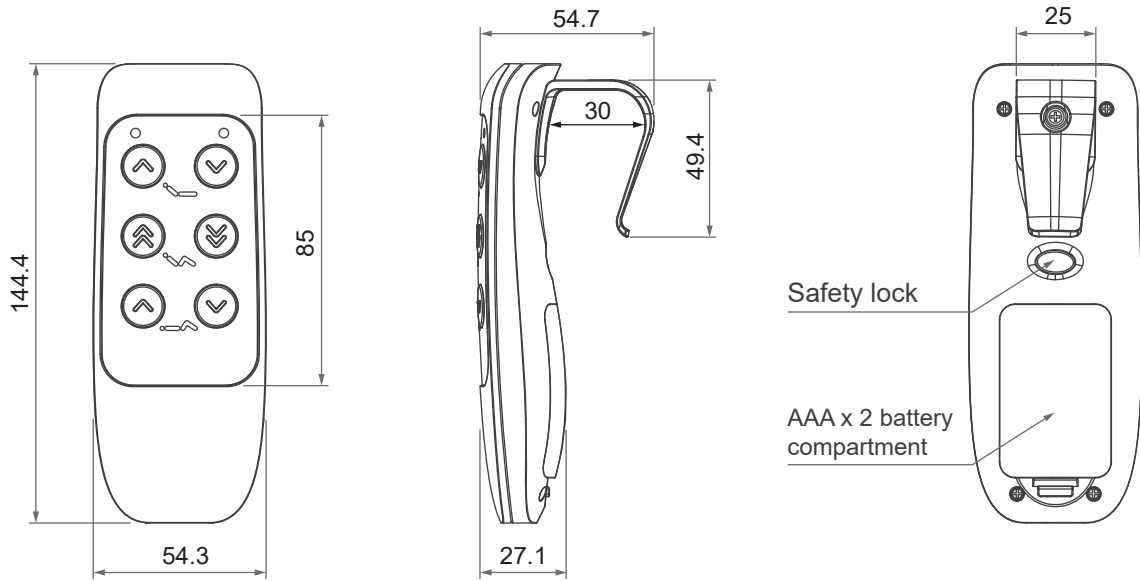


## Features

---

- Main applications: Furniture, Home care
- Frequency: 2.4GHz
- Operating distance: 5m
- Max. motor number to control: 2
- Available quantity of key: 2, 4 or 6
- Safety lock on the back
- With hook for easy placement (30mm gap)
- Battery: Alkaline AAA x 2
- Operation indicator
- Color: Black
- Button material: Silicone rubber
- Certified: CE marking, 2014/53/EU Radio Equipment (RED)

# Dimensions



Unit: mm

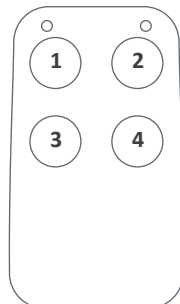
# Standard Panel Artwork

Code	A	B	C
Artwork			
	TXZ-02-1-00	TXZ-04-2-00	TXZ-06-2-01

### Button definitions:

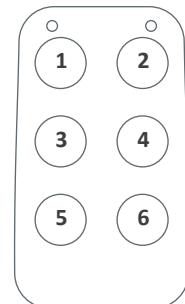
- Artwork A, B

- ① Actuator #1 extends
- ② Actuator #1 retracts
- ③ Actuator #2 extends
- ④ Actuator #2 retracts



- Artwork C

- ① Actuator #1 extends
- ② Actuator #1 retracts
- ③ Actuator #1 & 2 extend
- ④ Actuator #1 & 2 retract
- ⑤ Actuator #2 extends
- ⑥ Actuator #2 retracts



# Compatibility

Product	Model
RF receiver adapter	TXA4

# Operating Guide

## TXZ remote control functions and operation instructions

### ● Pairing

The RF receiver product is powered on within 7 seconds (the operation mode is determined by the receiver product), and the learning can be performed by pressing any button on the remote control. After the learning is successful, the actuator can move. After the receiving product is powered off, whether it needs to be re-learned depends on the receiving product.

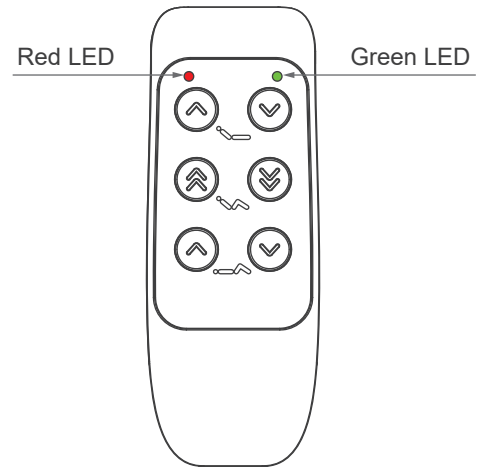


Figure 1

### ● Lock button

Press the red lock button on the rear side of the remote control to lock the buttons on the front side. The red LED on the front side will flash 4 times to show that buttons are locked. To unlock, simply press the red lock button one more time, 4 flashes of the green LED will follow to show that it's now in unlock mode. Please press the lock button to unlock, whenever the batteries are changed.

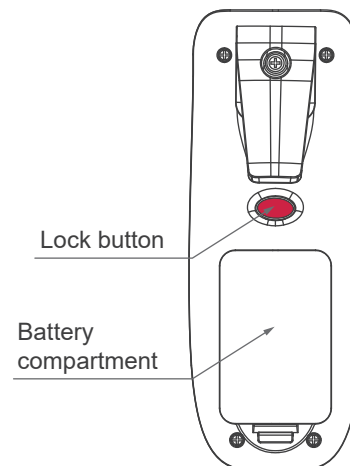


Figure 2

### ● RF2.4GHz channel switching function

This device might be interfered by some other devices with same frequency (2.4 GHz; eg. WIFI router or WIFI hub).

If so, please move any port of the dip switch in the battery compartment to change channel and pair the remote control with the TXA4 adapter one more time.

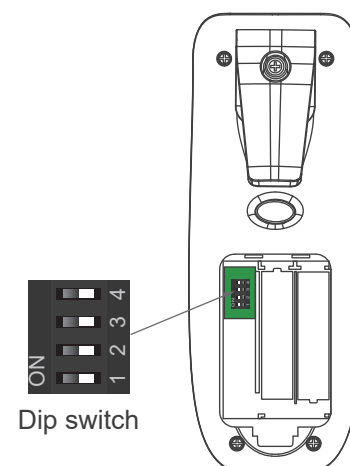


Figure 3

## Ordering Key

TXZ - 06 - 2 - 01 - H30 - C

<b>Button</b>	<b>02:</b> 2 buttons <b>04:</b> 4 buttons <b>06:</b> 6 buttons
<b>Number of motor</b>	<b>1:</b> 1 motor <b>2:</b> 2 motors
<b>Function</b>	<b>00:</b> Standard <b>01:</b> Joint movement
<b>Accessory</b>	<b>H30:</b> 30mm hook gap
<b>Panel artwork code</b>	<b>A ~ C:</b> Refer to Standard Panel Artwork

### Terms of Use

The user is responsible for application suitability of Moteck products. As ongoing improvement process continues, products listed on the Moteck website are subject to change without prior notice. Moteck reserves the right to terminate the sales or remove any product displayed on the website, or listed in its catalogues.