

# Wireless Control TXT

TXT RF remote handset is designed for home care and furniture applications, which can be paired with RF receiver adapter to work with Moteck control boxes or double motors. The key backlight and LED torch function are convenient to user in dark place. In addition, it is available with an optional memory function.



## Features and Options

---

**Main applications:** Home care, Furniture

**Standard features:**

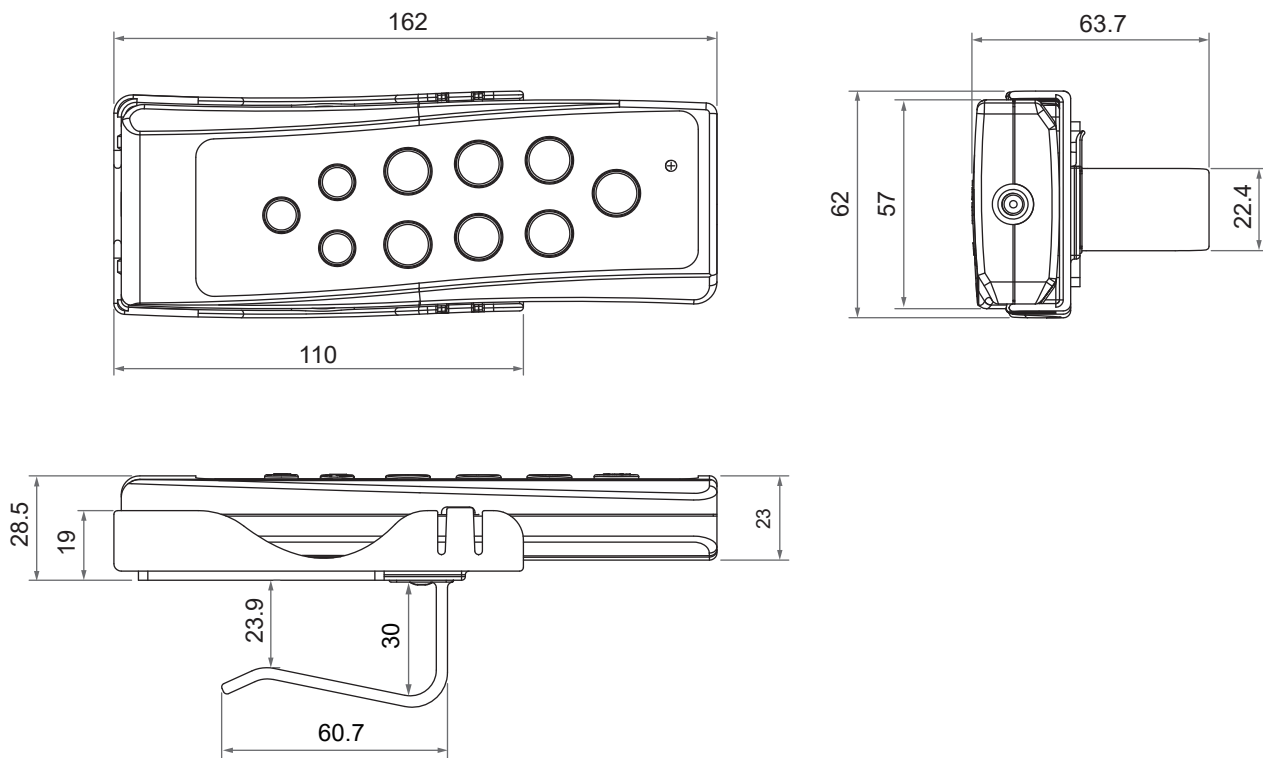
- Frequency: 2.4GHz
- Operating distance: 5m
- Max. motor number to control: 2 channels
- Available quantity of button: 3, 5, 6, 7, 8 or 10
- Holder with 30mm hook gap
- Battery: AAA x2
- LED torch: Amber
- Backlight: Green
- Color: Black
- Button material: Silicone rubber

**Options:**

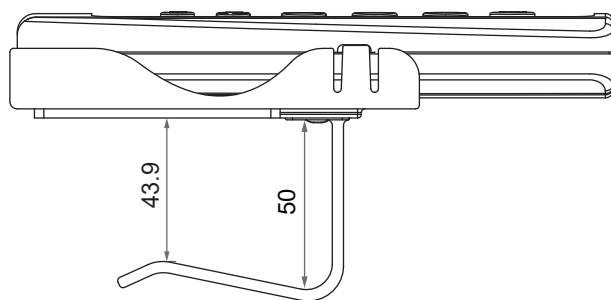
- Support position memory function
- Holder with 50mm hook gap
- Holder without hook
- Matt black painting

## Dimensions

- Holder with 30mm hook gap



- Holder with 50mm hook gap



Unit: mm

## Standard Panel Artwork

### • Without position memory function

Code	A	B	C	G	H	I
Artwork						
	TXT-03-1-00	TXT-05-2-00	TXT-07-2-01	TXT-03-1-00	TXT-05-2-00	TXT-07-2-01

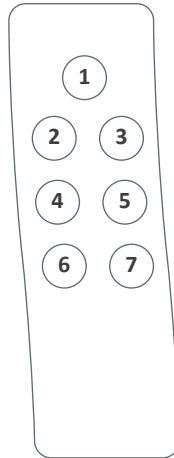
### • Support position memory function

Code	D	E	F	J	K	L
Artwork						
	TXT-06-1-03	TXT-08-2-03	TXT-10-2-04	TXT-06-1-03	TXT-08-2-03	TXT-10-2-04

**Button definitions:**

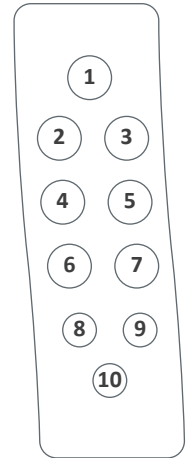
- Artwork A, B, C, G, H, I

- ① LED torch
- ② Actuator #1 extends
- ③ Actuator #1 retracts
- ④ Actuator #1 & 2 extend
- ⑤ Actuator #1 & 2 retract
- ⑥ Actuator #2 extends
- ⑦ Actuator #2 retracts



- Artwork D, E, F, J, K, L

- ① LED torch
- ② Actuator #1 extends
- ③ Actuator #1 retracts
- ④ Actuator #1 & 2 extend
- ⑤ Actuator #1 & 2 retract
- ⑥ Actuator #2 extends
- ⑦ Actuator #2 retracts
- ⑧ Memory position 1
- ⑨ Memory position 2
- ⑩ Memory set



**Remarks:**

- (1) The actuator immediately stops when the button is released.
- (2) The backlight of the button will be on during operation, and it will turn off after releasing the button for 5 seconds.

**Compatibility**

---

- Without position memory function

Product	Model
Control box	TX2A
RF receiver adapter	TXA4

- Support position memory function

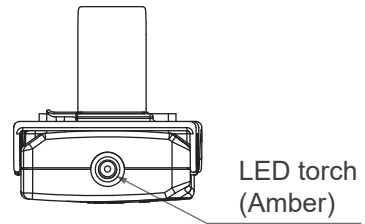
Product	Model
RF receiver adapter	TXA5

# Operating Guide

## TXT remote control functions and operation instructions

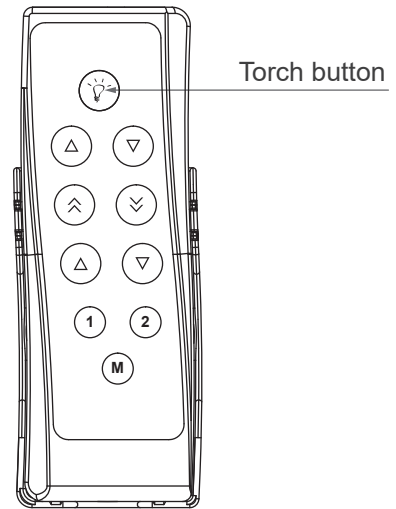
- **RF Pairing**

After the RF receiver product enters the pairing mode (the operation mode is determined by the receiver product), press any key of the hand controller (except the LED torch button) to perform pairing. After confirming that the pairing is successful according to the LED operation indicator of the receiver product, and then the actuator can follow the button action of the remote control.



- **LED torch**

The LED torch button only controls the torch on/off. Press and hold the button to light up, and release the button to turn off; this button function is independent and has nothing to do with other remote control operation functions, and the button backlight cannot be activated.



- **RF2.4GHz channel switching function**

This device might be interfered by some other devices with same frequency (2.4 GHz; eg. WIFI router or WIFI hub). If so, please move any port of the dip switch in the battery compartment to change channel and pair the remote control with the adapter one more time.



## Ordering Key

TXT - 05 - 2 - 00 - H3H - 0 - B

<b>Button</b>	<b>03:</b> 3 buttons <b>05:</b> 5 buttons <b>06:</b> 6 buttons <b>07:</b> 7 buttons <b>08:</b> 8 buttons <b>10:</b> 10 buttons
<b>Number of motor</b>	<b>1:</b> 1 motor <b>2:</b> 2 motors
<b>Function</b>	<b>00:</b> Standard <b>01:</b> Joint movement <b>03:</b> Position memory <b>04:</b> Joint movement and position memory
<b>Accessory</b>	<b>H3H:</b> Holder with 30mm hook gap (Standard) <b>H5H:</b> Holder with 50mm hook gap <b>H0H:</b> Holder without hook
<b>Color</b>	<b>0:</b> Textured black (Standard) <b>1:</b> Matt black painting
<b>Panel artwork code</b>	A ~ L: Refer to Standard Panel Artwork

### Terms of Use

The user is responsible for application suitability of Moteck products. As ongoing improvement process continues, products listed on the Moteck website are subject to change without prior notice. Moteck reserves the right to terminate the sales or remove any product displayed on the website, or listed in its catalogues.