

Wireless Control TX2T

TX2T is a RF remote controller, compatible with Moteck RF adapter or control box with built-in RF receiver, which is designed for home care and furniture applications. And its LED torch is convenient for users in dark. With soft paint coating surface and optional blue backlight triggered automatically on grabbing or by pressing any button, TX2T brings to users great touch feeling and remote experience.



Feature

- Main applications: Home care, furniture
- Frequency: 2.4GHz
- Operating distance: 5m
- Max. motor number to control: 2
- Available quantity of key: 5, 7, 8 or 10
- IP Protection level: IP20
- Holder with hook for easy placement (30mm gap)
- Battery: Alkaline AAA x 3
- Low battery consumption
- LED torch: Blue
- Color: Black
- Button material: Silicone rubber
- Compliant with RED Directive 2014/53/EU

Option

- Support position memory function
- Keypad backlight: Blue, triggered by button or both of button and G-sensor.
- Holder with or without hook (with adhesive foam tape)
- Hook with 50mm gap

Compatibility

Without position memory function

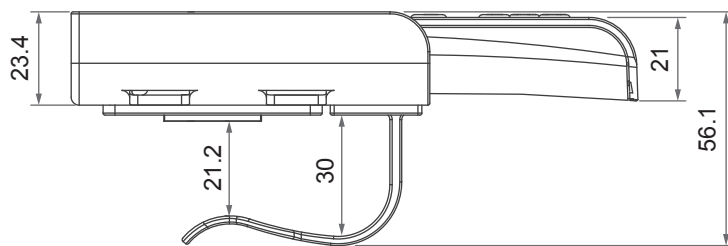
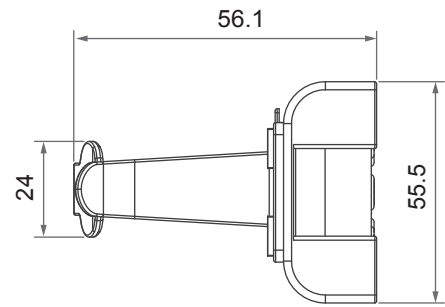
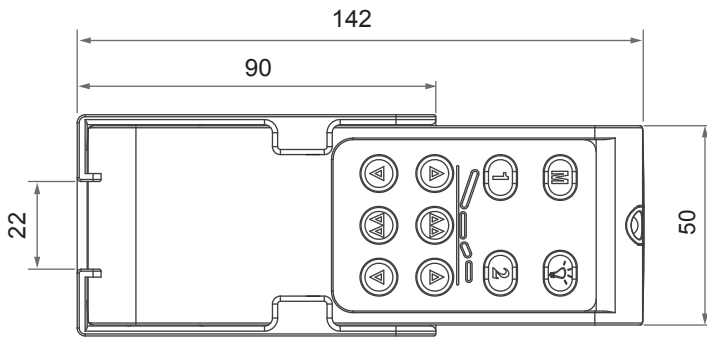
| Product | Model |
|---------------------|---|
| RF receiver adapter | TXA4 |
| Double motor | TW41/61 version 2 (Build-in RF module), TW43R |

Support position memory function

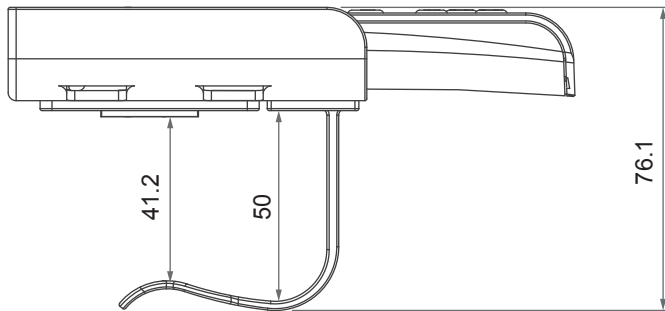
| Product | Model |
|---------------------|-------------------|
| RF receiver adapter | TXA5 |
| Double motor | TW41/61 version 3 |

Dimensions

Holder with 30mm hook gap



Hook with 50mm gap



Standard Panel Artwork

Without position memory function

| Code | A | B | C | D |
|---------|--------------|--------------|--------------|--------------|
| Artwork | | | | |
| | TX2T-05-2-00 | TX2T-05-2-00 | TX2T-07-2-01 | TX2T-07-2-01 |

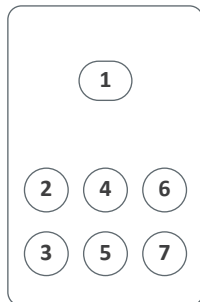
Support position memory function

| Code | E | F | G | H |
|---------|--------------|--------------|--------------|--------------|
| Artwork | | | | |
| | TX2T-08-2-03 | TX2T-08-2-03 | TX2T-10-2-04 | TX2T-10-2-04 |

Button definition:

- Artwork A, B, C, D

- ① LED Torch
- ② Actuator #1 extend
- ③ Actuator #1 retract
- ④ Actuator #1 & 2 extend
- ⑤ Actuator #1 & 2 retract
- ⑥ Actuator #2 extend
- ⑦ Actuator #2 retract



- Artwork E, F, G, H

- ① LED Torch
- ② Actuator #1 extend
- ③ Actuator #1 retract
- ④ Actuator #1 & 2 extend
- ⑤ Actuator #1 & 2 retract
- ⑥ Actuator #2 extend
- ⑦ Actuator #2 retract
- ⑧ Memory Set
- ⑨ Memory position 1
- ⑩ Memory position 2



Ordering Key

TX2T - 05 - 2 - 00 - H3H - 0 B

| | |
|---------------------------|---|
| Button | 05: 5 buttons 07: 7 buttons 08: 8 buttons 10: 10 buttons |
| Number of motor | 2: 2 motors |
| Function | 00: Standard 01: Joint movement 03: Position memory 04: Joint movement and position memory |
| Accessory | H3H: Holder with 30mm hook gap (standard) H5H: Holder with 50mm hook gap H0H: Holder without hook |
| Backlight | 0: Without backlight 1: Triggered by button 2: Triggered by button & G-sensor |
| Panel artwork code | A~H: Refer to Standard Panel Artwork |

Terms of Use

The user is responsible for application suitability of Moteck products. As ongoing improvement process continues, products listed on the Moteck website are subject to change without prior notice. Moteck reserves the right to terminate the sales or remove any product displayed on the website, or listed in its catalogues.