

# Double Motor TW61

TW61 double motor is a one-piece design, combining double motors and a control unit, the installation steps are simple and fast, which can save labor for installing the bed frame. In addition, the complete shell protection can achieve basic dust and waterproof effects. Suitable for adjustable furniture beds.



## Features and Options

---

**Main applications:** Furniture, Home care

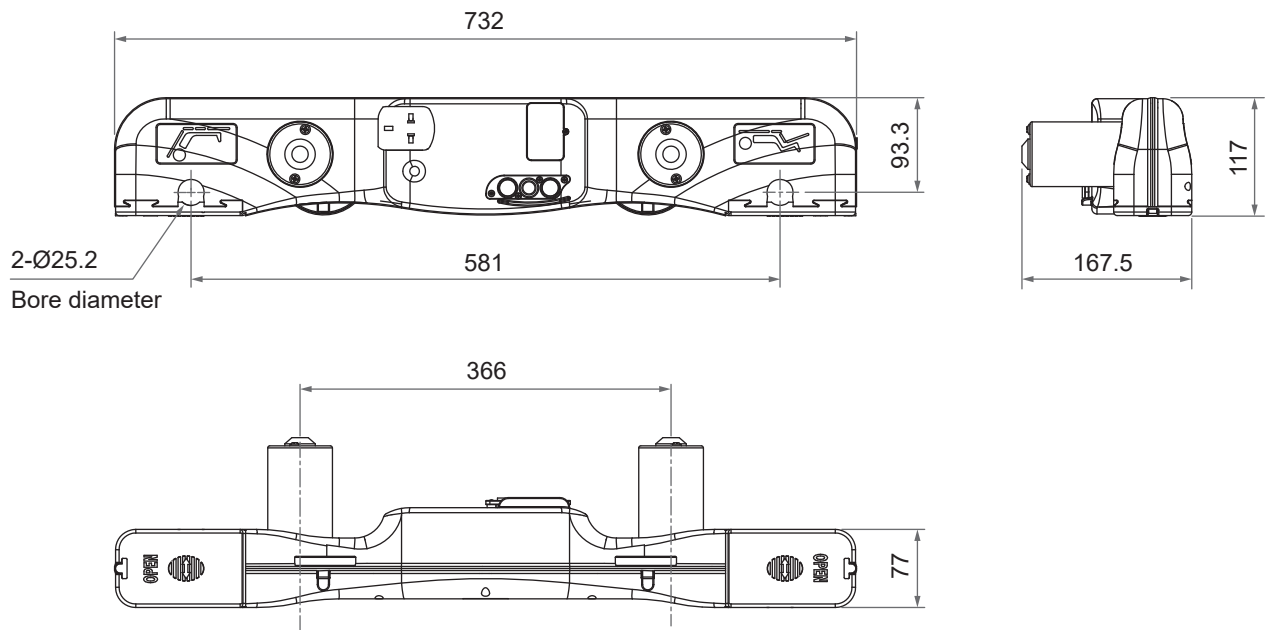
**Standard features:**

- Max. load: 2 x 6000N
- Speed at no load: 5mm/sec (typical value)
- Stroke: 29 ~ 87mm
- Input voltage: 100V AC ~ 240V AC, 60/50Hz
- Output voltage: 29V DC
- Power supply: Internal SMPS, 29V/2A (58W)
- Max. number of controls: 1 channel
- Max. number of additional actuators: 2 channels (24V DC)
- Electric shock protection level: Class II
- AC Power cord length: 3000mm
- Noise level:  $\leq 55$ dB
- IP level: IP43
- Color: Black
- Duty cycle: 10%, max. 2 min. continuous operation in 20 min.
- Emergency lowering against power outage, to retract double motor with 9V batteries (not included)
- Operating ambient temperature: -20°C ~ +65°C
- Certified: CE marking, EMC Directive 2014/30/EU and LVD Directive 2014/35/EU (Basic function version only)

**Options:**

- Position memory function with Hall effect sensors
- IP level: IP54
- Color: Light grey (RAL 7035)

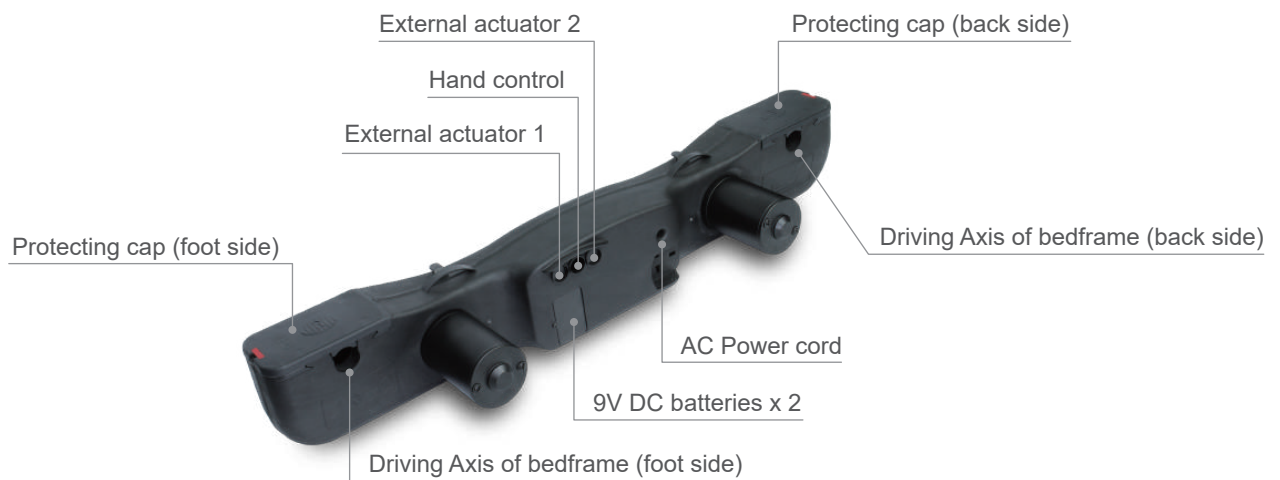
## Dimensions



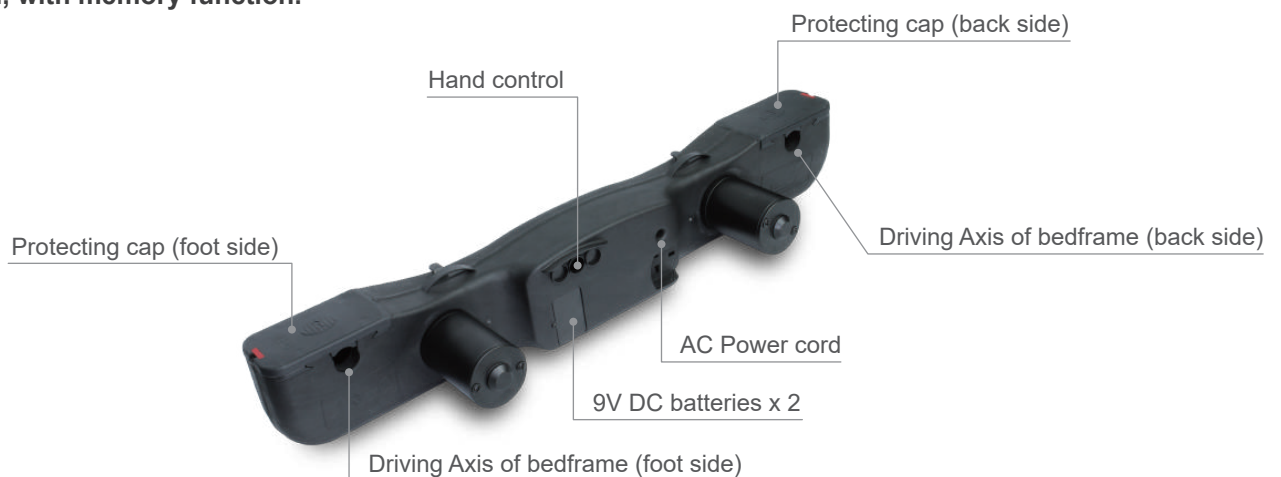
Unit: mm

## I/O Introduction

**Basic, without memory function.**



**Option, with memory function.**



## Compatibility

### Basic, without memory function.

Product	Model	Compatible requirement
Hand control	HD, HI, HJ, HM, H2N, H2Z	<ul style="list-style-type: none"> <li>Analogue control</li> <li>With Moteck A-type DIN plug</li> </ul>
Wireless option	RF control: TXH3, TXT7, TX2T, TXZ	
	RF receiver adapter: TXA4	<ul style="list-style-type: none"> <li>Analogue control</li> <li>With Moteck A-type DIN plug</li> </ul>
Actuator	FD60, FD61, MK33	<ul style="list-style-type: none"> <li>24V DC, max. 3A current</li> <li>With Moteck A2-type 2-pin DIN plug</li> </ul>

### Option, with memory function.

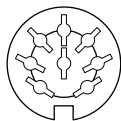
Product	Model	Compatible requirement
Hand control	HI, H3N, H4N	<ul style="list-style-type: none"> <li>Digital control</li> <li>With Moteck A-type DIN plug</li> </ul>
Wireless option	RF control: TXH4, TXT10, TX2T	
	RF receiver adapter: TXA5	<ul style="list-style-type: none"> <li>Digital control</li> <li>With Moteck A-type DIN plug</li> </ul>

## Socket

### Hand control socket (for Moteck A-type DIN plug)

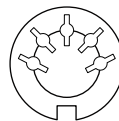
- Without memory function (Analogue control)

- 4 drives model / 3 drives model



8-pin socket

- 2 drives model



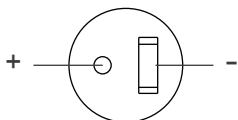
5-pin socket

- With memory function (Digital control)



5-pin socket

### External actuator socket (for Moteck A2-type 2-pin DIN plug)



DIN 41529 socket



A-type plug



A2-type plug

**Note:** Connect + to "Vdc +" & - to "Vdc -" of DC power to extend the motor.  
Switch the polarity of DC input to retract it.

## Ordering Key

	TW61- ISW1 - 87 - 69 - 1 - 2 - 0 - 0 - B - 2
<b>Power supply</b>	<b>ISW1:</b> Internal SMPS (100 ~ 240V AC)
<b>Stroke for back</b>	<b>29 ~ 87mm</b>
<b>Stroke for leg</b>	<b>29 ~ 87mm</b>
<b>Socket for control</b>	<b>1:</b> 1 socket
<b>Number of drive</b>	<b>2:</b> 2 motors <b>3:</b> 2 motors + 1 additional socket (Basic function version only) <b>4:</b> 2 motors + 2 additional sockets (Basic function version only)
<b>Function version</b>	<b>0:</b> Basic, without memory function. <b>H:</b> Position memory function with Hall effect sensors
<b>IP level</b>	<b>0:</b> IP43 (Standard) <b>4:</b> IP54
<b>Color</b>	<b>B:</b> Black <b>G:</b> Light grey (RAL 7035)
<b>Bore diameter</b>	<b>2:</b> 25.2mm (Standard) <b>6:</b> 25.6mm

## Certifications

---

TW61 double motor is compliant with the following regulations.

- EMC directive 2014/30/EU

Emission	Immunity
EN 55014-1:2017 IEC 61000-3-2:2014 IEC 61000-3-3:2013	EN 55014-2:2015 Catagory II IEC 61000-4-2:2008 IEC 61000-4-4:2012 IEC 61000-4-5:2014 IEC 61000-4-6:2013 IEC 61000-4-11:2004

- LVD directive 2014/35/EU

Standard
EN 60335-1:2012+A11:2014+A13:2017

---

### Terms of Use

The user is responsible for application suitability of Moteck products. As ongoing improvement process continues, products listed on the Moteck website are subject to change without prior notice. Moteck reserves the right to terminate the sales or remove any product displayed on the website, or listed in its catalogues.