

# Double Motor TW61

TW61-RMS is designed for luxury home adjustable beds. It inherits the excellent performance from TW61 mechanical design, and combined with advanced control functions including RF wireless remote and massage functions. Moreover, synchronization function with a cable connection between 2 units makes it smart to operate both sides of luxury twin beds synchronously, or each of left / right side individually.



## Features

---

**Main applications:** Furniture, Home care

**Standard features:**

- Max. load: 2 x 6000N
- Speed at no load: 5mm/sec (Typical value)
- Stroke: 29 ~ 87mm
- Input voltage: 100V AC ~ 240V AC, 60/50Hz
- Output voltage: 29V DC
- Power supply: Internal SMPS, 29V/2A (58W)
- Built-in RF 2.4GHz receiver
- Position memory function with Hall effect sensors
- Electric shock protection level: Class II
- AC Power cord length: 3000mm
- Noise level:  $\leq 55$ dB
- IP level: IP43
- Color: Black
- Duty cycle: 10%, max. 2 min. continuous operation in 20 min.
- Backup battery function
- Operating ambient temperature: -20°C ~ +65°C

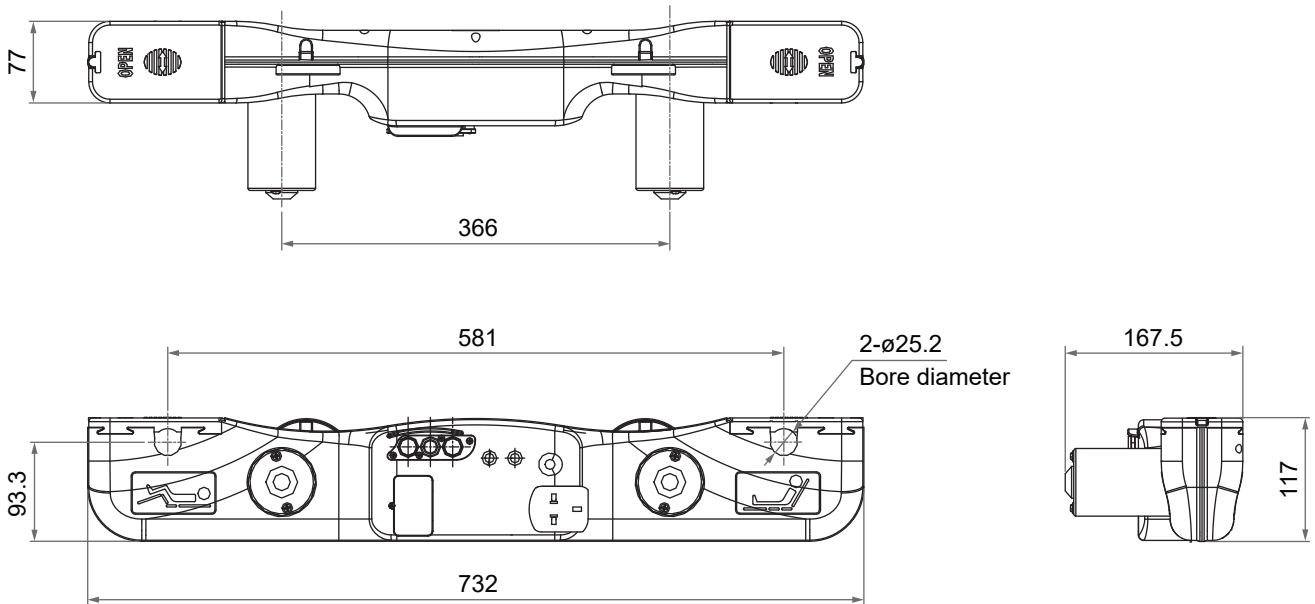
**TXM RF wireless remote (must order separately)**

- Frequency: 2.4GHz
- Operating distance: 7m
- Numbers of keys: 17
- Button material: Silicone rubber
- Button back light: Blue
- LED torch: White
- Battery: Alkaline AAA x 3

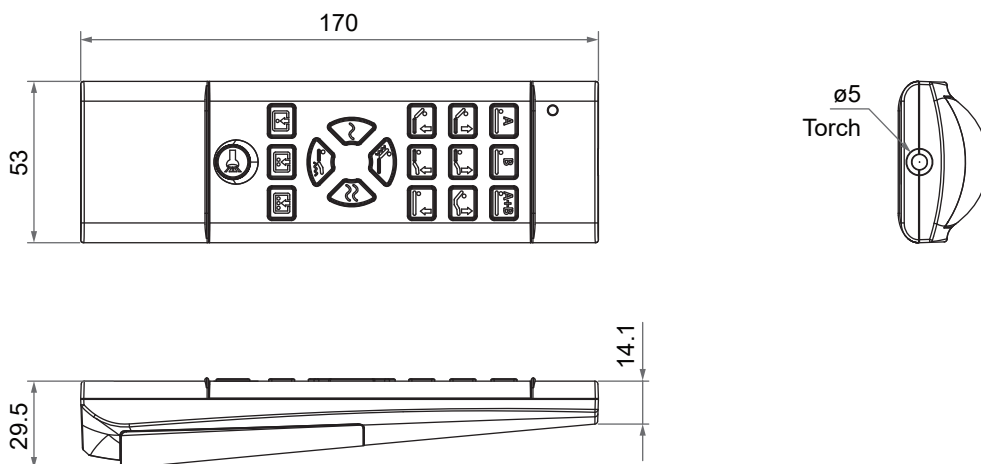


**Dimensions**

**TW61-RMS Double motor**



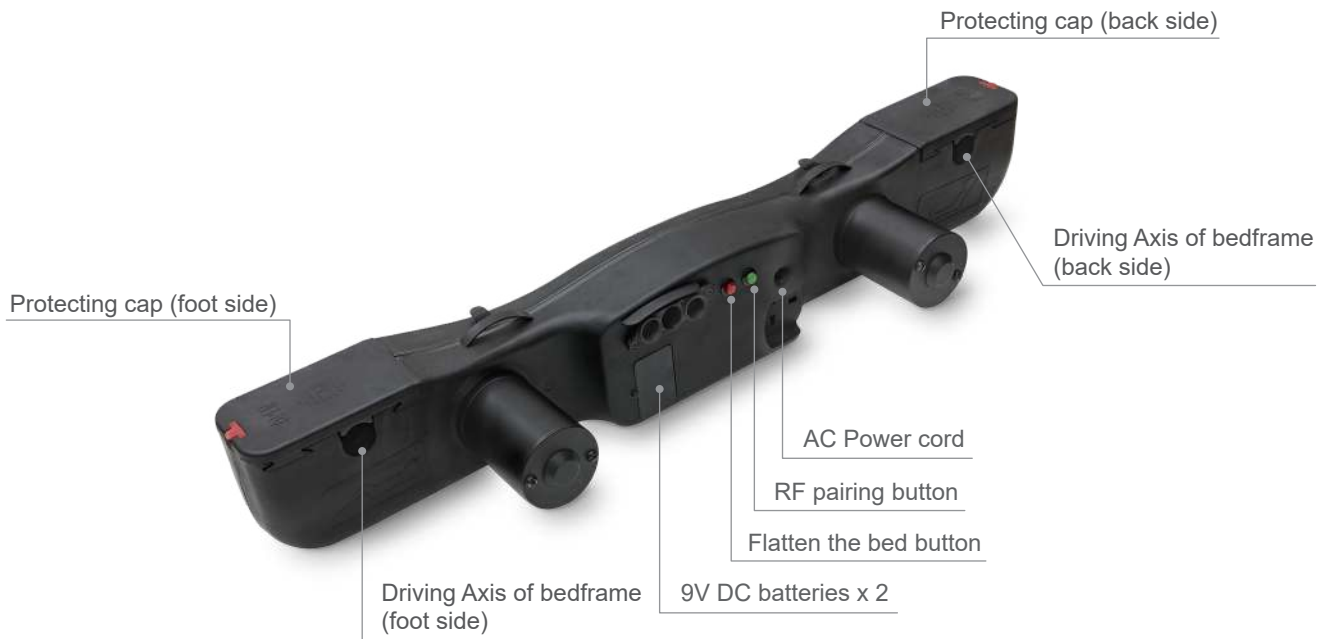
**TXM RF Wireless remote**



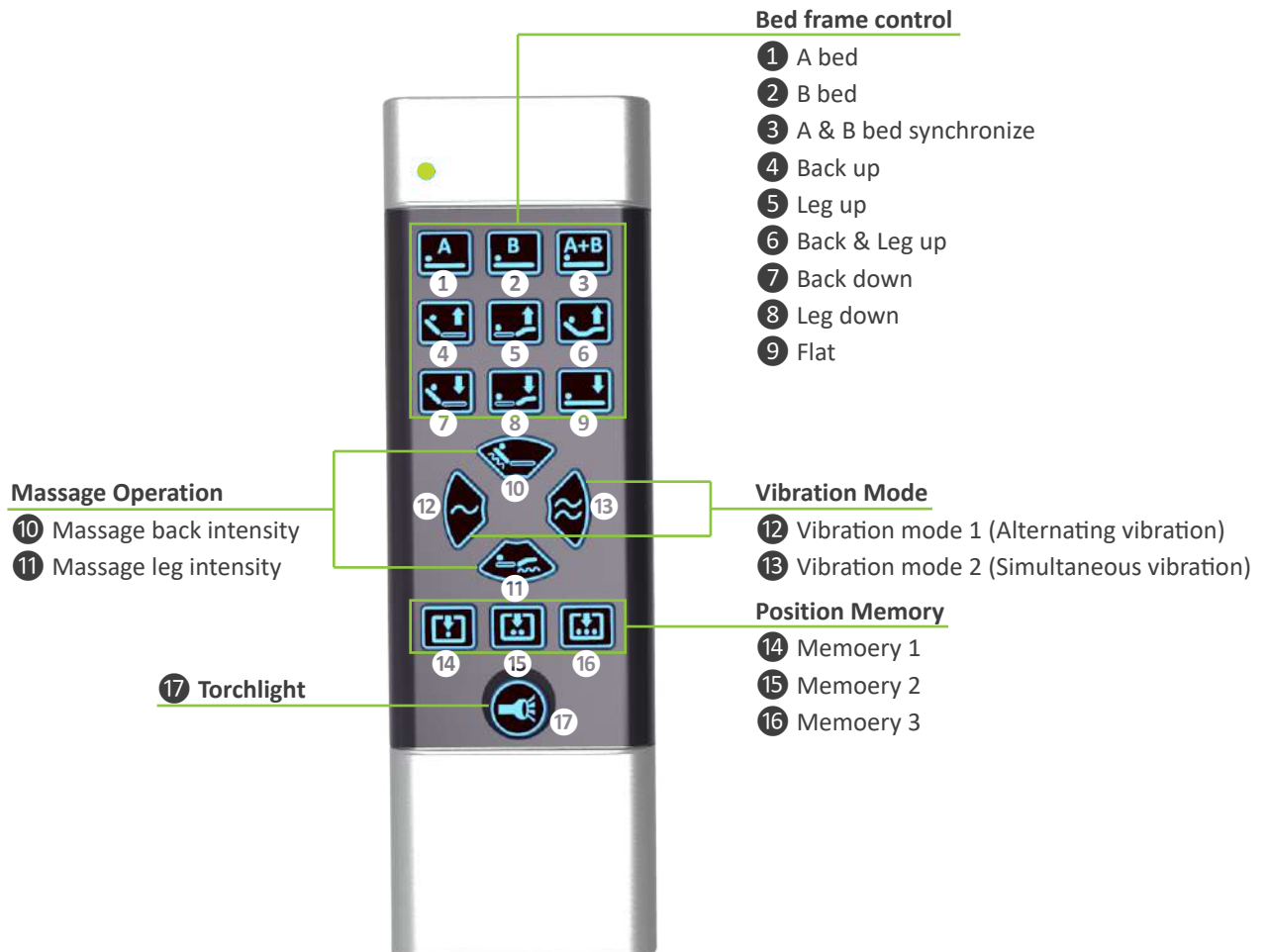
Unit: mm

# I/O Introduction

## TW61-RMS Double motor



## TXM RF Wireless remote Button definitions:



## Compatibility

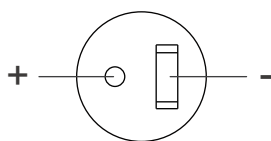
Product	Model	Compatible requirement
Wireless control	TXM	N/A
Accessory	Massage motor: VM01, VM02	With Moteck A2-type DIN plug

### Connection diagram:

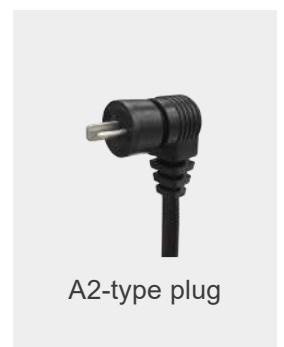


## Socket

### Massage motor socket (for Moteck A2-type)



DIN 41529 socket



A2-type plug

## Ordering Key

TW61-RMS- 87 - 69 - 0 0 3 2 0

<b>Stroke for back</b>	29 ~ 87mm
<b>Stroke for leg</b>	29 ~ 87mm
<b>Reserved</b>	0
<b>Reserved</b>	0
<b>Cable length</b>	3: Straight 3000mm
<b>Bore diameter</b>	2: 25.2mm (standard) 6: 25.6mm
<b>Battery</b>	0: None 1: With 9V DC battery x 2

### Terms of Use

The user is responsible for application suitability of Moteck products. As ongoing improvement process continues, products listed on the Moteck website are subject to change without prior notice. Moteck reserves the right to terminate the sales or remove any product displayed on the website, or listed in its catalogues.