

Actuator

MD82

MD82 is a quiet and powerful actuator up to 8000N thrust, which is designed for use in a variety of medical and home care applications such as patient hoist and bed.

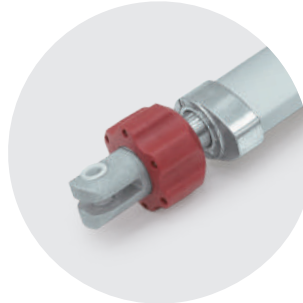


Features and Options

- Main applications: Medical, Home care
- Input voltage: 24V DC
- Max. load: 8000N (push) / 6000N (pull)
- Typical speed at no load: 8.2 mm/sec
- Typical speed at full load: 4.8 mm/sec (8000N load)
- Stroke: 50 ~ 400 mm
- Noise level: ≤ 50 dB
- IP Level: IPX4, IPX6 (static, non-action)
- Rear connector's pivot orientation can be chosen in every 30 degrees
- Preset limit switches
- Steel extension tube
- Color: Light gray RAL 7035
- Duty cycle: 10%, max. 2 min. continuous operation in 20 min.
- Ambient operation temperature: +5°C ~ +40°C
- Storage ambient temperature: -25°C ~ +65°C
- Certified:
 - CE Marking, EN 60601-1-2, IEC 61000-4-2, IEC 61000-4-3, IEC 61000-4-8
 - Directive 2011/65/EU (RoHS) and commission delegated Directive (EU)2015/863 \ (EU)2017/2102

Options

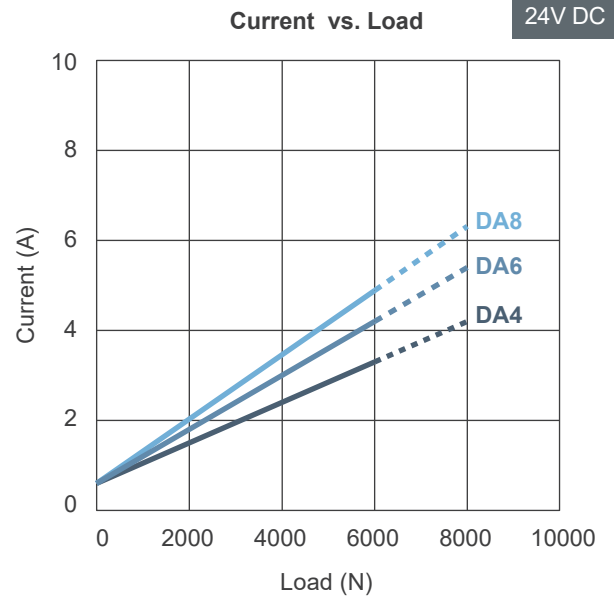
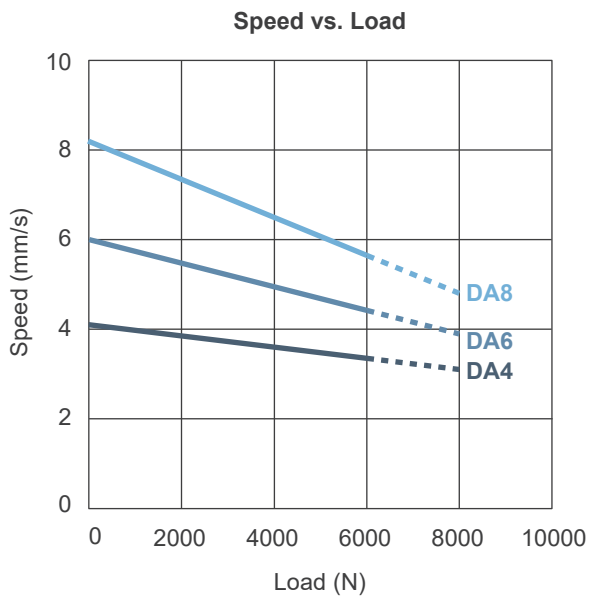
- Positioning signal feedback with Hall effect sensor x 2
- Mechanical push only extension tube
- Safety nut (in push direction)
- MR3 manual release (Fig.1): To retract actuator slowly and put down the patient safely by turning the MR3 knob with hand when losing power in the application of patient hoist.



(Fig.1)

Performance Data

Model No.	Push Max. (N)	Pull Max. (N)	*Typical Speed (mm/s)		*Typical Current (A)	
			No load	Full load	No load	Full load
MD82-24 DA4 -XXX.XXX-XXXXX0XX	8000	6000	4.1	3.1	0.6	4.2
MD82-24 DA6 -XXX.XXX-XXXXX0XX	8000	6000	6.0	3.9	0.6	5.4
MD82-24 DA8 -XXX.XXX-XXXXX0XX	8000	6000	8.2	4.8	0.6	6.3



Push / Pull Load — Push Load - - -

Remarks:

- * The typical speed or typical current means the average value neither upper limit nor lower limit. The performance curves are made with typical values.

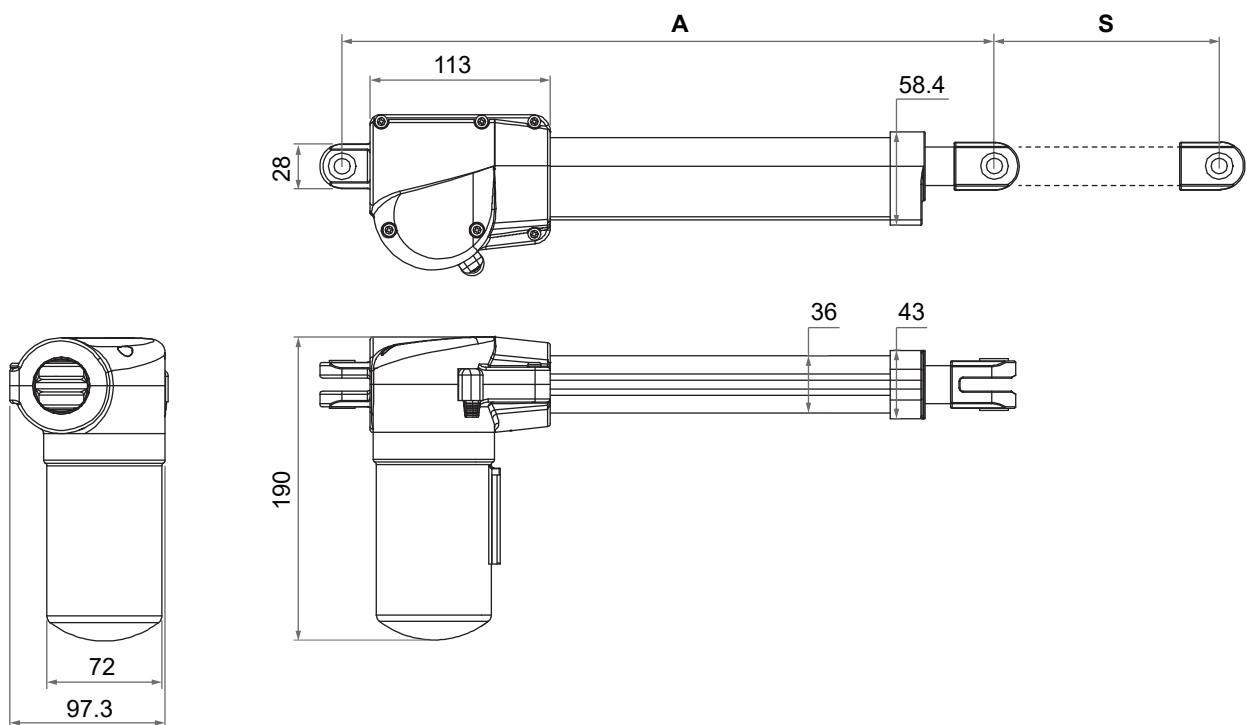
Dimensions

• Retracted length (A)

Unit: mm

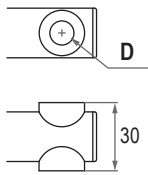
50 ≤ Stroke (s) ≤ 300mm			
Front connector Safety option	7	8	M, N (With MR3 manual release)
No safety option	$A \geq S + 177\text{mm}$	$A \geq S + 195\text{mm}$	N/A
With Safety Nut (SN)	$A \geq S + 182\text{mm}$	$A \geq S + 200\text{mm}$	$A \geq S + 250\text{mm}$

• $301 \leq S \leq 400\text{mm}$, retracted length (A) + 30mm • Tolerance: $\pm 3\text{mm}$
 • $S \geq 401\text{mm}$, Please consult MOTECK sales representative for feasibility and the available retracted length.

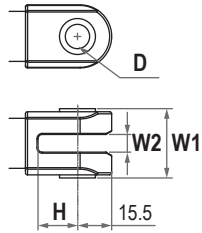


● Front connector

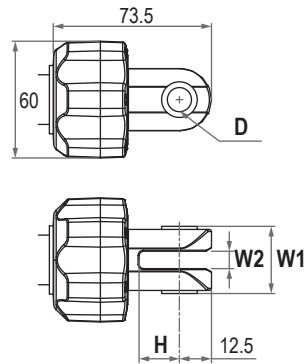
7: Plastic bushing



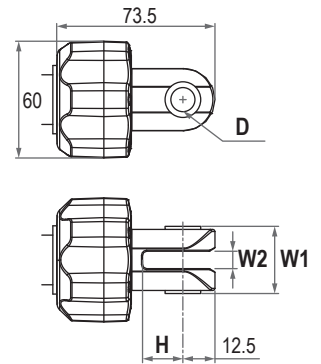
8: Aluminum alloy clevis



M: Aluminum alloy clevis with MR3 manual release



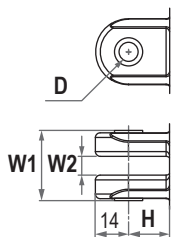
N: Zinc alloy clevis with MR3 manual release



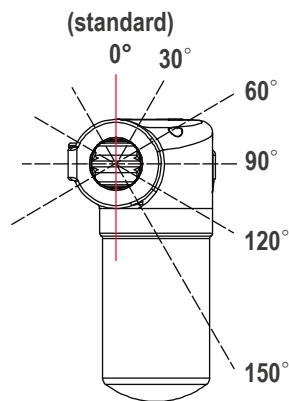
Front connector code	Diameter of pivot with bushing (D)	Width with bushing (W1)	Slot width (W2)	Slot depth (H)
7	Ø10	N/A	N/A	N/A
8	Ø10	31.5	8.3	19.5
M	Ø10	29.5	8.4	19.5
N	Ø10	29.5	8.4	19.5

● Rear connector

1: Zinc alloy clevis



● Pivot orientation of rear connectors



Rear connector code	Diameter of pivot with bushing (D)	Width with bushing (W1)	Slot width (W2)	Slot depth (H)
1	Ø8, Ø10	30	8	18

Compatibility

Product	Model	MD82 spec
Control box	CBP2, CBP3	- Without positioning feedback sensors - With Moteck J1-type or J2-type phone jack
	CM42	- Without positioning feedback sensors - With Moteck J1-type phone jack
	CM43	- Without positioning feedback sensors - With Moteck J2-type phone jack
	CM45	- Without positioning feedback sensors - With Moteck H-type DIN 4-pin plug
	CM41-M, CB5P-M	- With dual Hall effect sensors for positioning - With Moteck LR-type minifit 6-pin plug

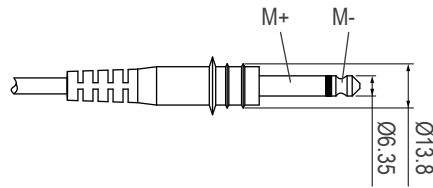
Remarks:

* If the current limit of the selected control box is lower than the typical current of the actuator model under full load, the actuator could not be operated in full performance.

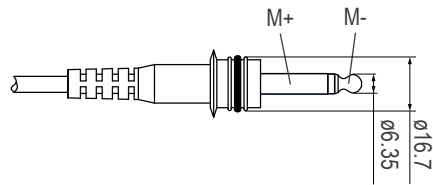
Cable Plug

Without positioning feedback sensors

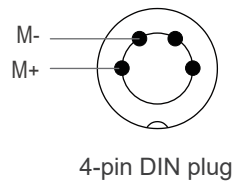
- Moteck J1-type phone jack



- Moteck J1-type phone jack

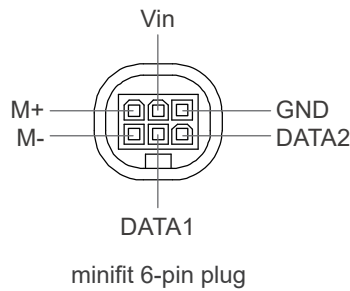


- Moteck H-type DIN plug



With dual Hall effect sensors for positioning

- Moteck LR-type minifit plug



J1-type



J2-type



H-type



LR-type

Note:

	Definition	Comments								
Power	M+	Connect M+ to "+" & M- to "-" of DC power, the actuator will extend.								
	M-									
Signal	Vin	Voltage input range (Vin): 5 ~ 20V								
	Hall 1 output	High = Input - 1.2V (±0.6V) Low = GND Hall signal data: 								
	Hall 2 output	Hall effect sensor resolution: <table border="1"> <thead> <tr> <th>Model No.</th> <th>Resolution (pulses/mm)</th> </tr> </thead> <tbody> <tr> <td>MD82-24DA4-XXX.XXX-XXXHX0XX</td> <td>10.25</td> </tr> <tr> <td>MD82-24DA6-XXX.XXX-XXXHX0XX</td> <td>6.83</td> </tr> <tr> <td>MD82-24DA8-XXX.XXX-XXXHX0XX</td> <td>5.13</td> </tr> </tbody> </table>	Model No.	Resolution (pulses/mm)	MD82-24DA4-XXX.XXX-XXXHX0XX	10.25	MD82-24DA6-XXX.XXX-XXXHX0XX	6.83	MD82-24DA8-XXX.XXX-XXXHX0XX	5.13
	Model No.	Resolution (pulses/mm)								
MD82-24DA4-XXX.XXX-XXXHX0XX	10.25									
MD82-24DA6-XXX.XXX-XXXHX0XX	6.83									
MD82-24DA8-XXX.XXX-XXXHX0XX	5.13									
GND										

Ordering Key

	MD82 - 24 D A 8 - 300 . 400 - 8 1 0 H P 0 4 A													
Input voltage	24: 24V DC													
Power	D: Standard power													
Motor	A: 2500rpm													
Spindle	4: 4mm pitch 6: 6mm pitch 8: 8mm pitch													
Retracted length <i>(Refer to Page 3)</i>	XXX													
Extended length <i>(Refer to Page 3)</i>	XXX													
Front connector <i>(Refer to Page 3)</i>	7: Plastic bushing 8: Zinc alloy clevis M: Aluminum alloy clevis with MR3 manual release <i>(must with options of Push only and Safety nut, A8 spindle)</i> N: Zinc alloy clevis with MR3 manual release <i>(must with options of Push only and Safety nut, A8 spindle)</i>													
Rear connector <i>(Refer to Page 3)</i>	1: Zinc alloy clevis													
Pivot orientation of rear connector <i>(Refer to Page 3)</i>	0: 0° (Standard)				3: 30°				6: 60°					
	9: 90°				C: 120°				F: 150°					
Positioning feedback	0: None H: Hall effect sensor x 2													
Option	0: None S: Safety nut P: Push only + Safety nut													
Reserved	0: No meaning													
IP Level <i>(static (non-action))</i>	4: IPX4 (Standard) 6: IPX6													
Cable length	0: 300mm straight 3: 1000mm straight A: 400mm with 200mm coiled													

Terms of Use

The user is responsible for application suitability of Moteck products. As ongoing improvement process continues, products listed on the Moteck website are subject to change without prior notice. Moteck reserves the right to terminate the sales or remove any product displayed on the website, or listed in its catalogues.