

Control Box

MD6C

MD6C is specially designed for medical and home care applications. With its compact design, it can be attached to actuator MD60 or MD66 as an integrated set.

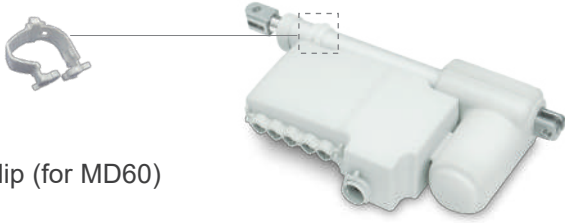


Feature

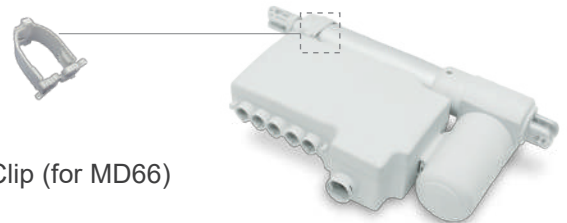
- Main applications: Home care, medical
- Input voltage: 100 / 120 / 230V AC (transformer)
- Output voltage: 24V DC
- Max. current: 5A per channel
- Power supply: 24V EI transformer
- Max. number of actuators: 4 channels
- Max. number of controls: 2 channels
- Duty cycle: 10%, max. 2 min. continuous operation in 20 min.
- IP Protection level: IPX5 (indoor use only)
- Protection class: Class II
- Color: Light gray RAL 7035
- Emergency lowering against power outage, to retract actuators with 9V batteries (not included)
- Power cord length: 3000 mm
- Certified: CE Marking, EN 60601-1, IEC 60601-1, EN 60601-1-2, IEC 60601-1-2

Option

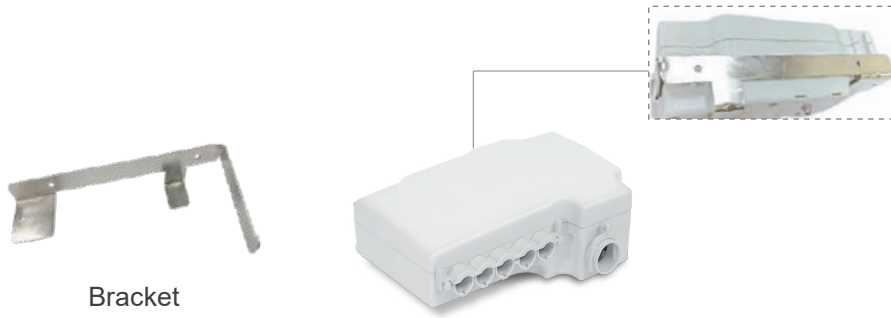
- C Clip: To fix MD6C onto MD60 or MD66 actuators
- Bracket: An independent bracket is available if separate control box installation is preferred



C Clip (for MD60)



C Clip (for MD66)



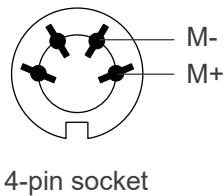
Bracket

Compatibility

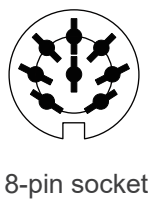
Product	Model	Compatible requirement
Actuator	MD21, MD60, MD66, MD7	Without positioning feedback sensors With Moteck V-type or H-type 4-pin DIN plug
Control	HF, HT, H2D, H3F, H3T, FS1, FS2	Moteck P1 control category With Moteck V-type or H-type 8-pin DIN plug
Wireless option	TXH, TXT TXA 2.4GHz RF adapter TBA Bluetooth adapter	Moteck P1 control category With Moteck V-type or H-type DIN plug

Socket

Actuator socket: for V-type or H-type 4-pin DIN plug



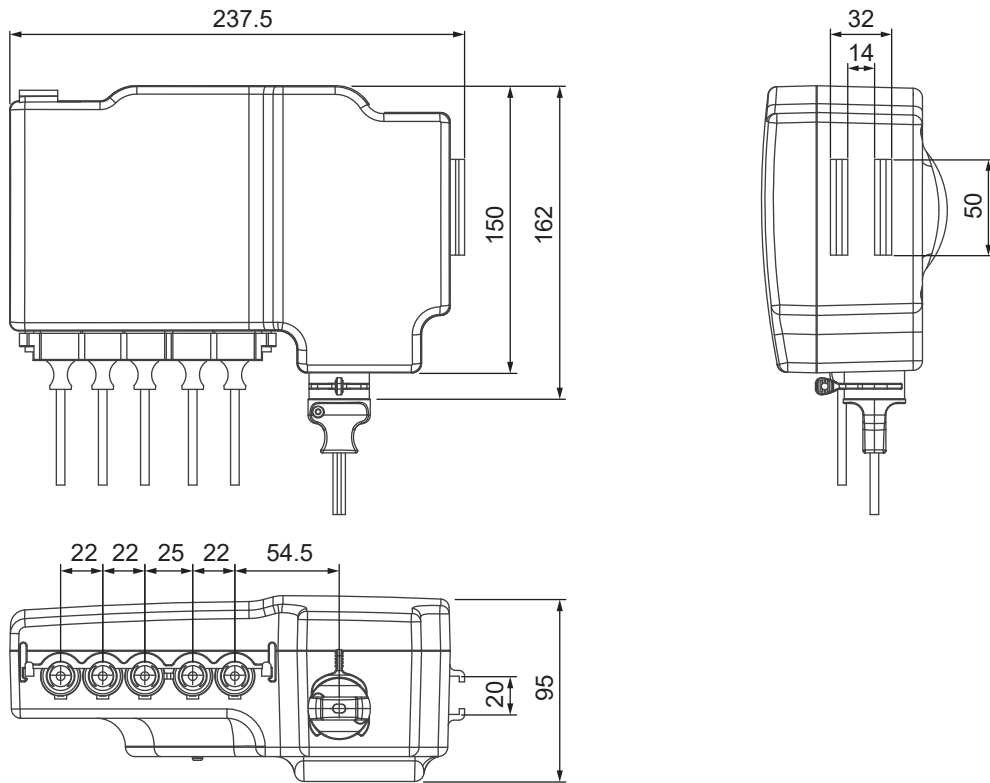
Control socket: for V-type or H-type 8-pin DIN plug



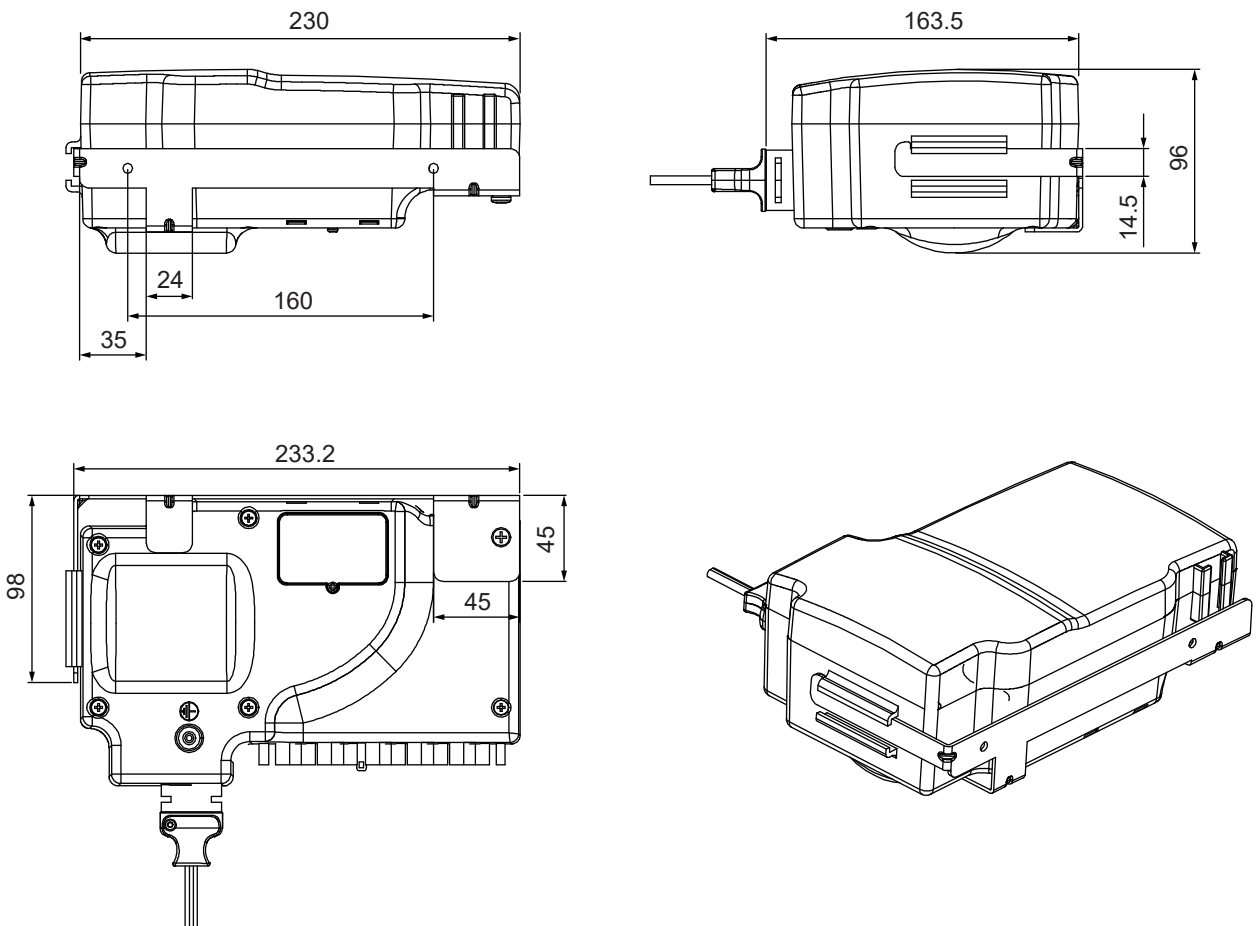
Note:

1. Connect Pin (M+) to "+" & Pin (M-) to "-" of DC power, the actuator will extend.

Dimensions

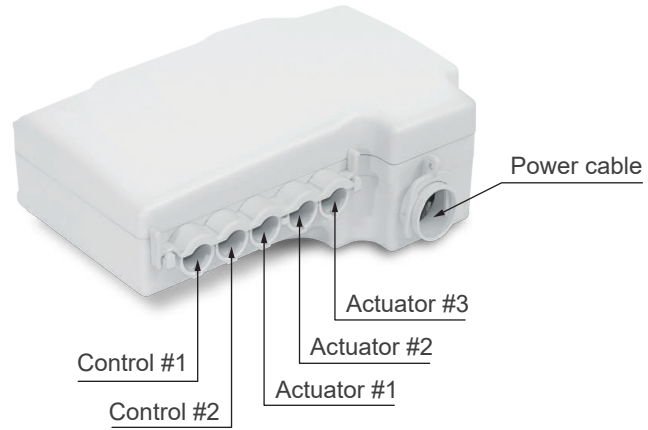


With fixing bracket

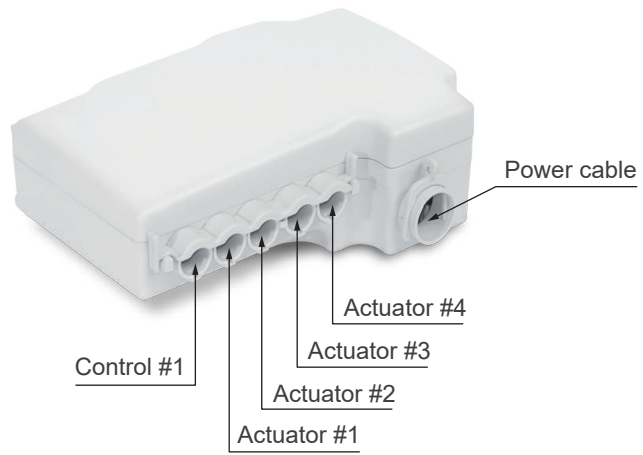


I/O Introduction

2-to-3 model



1-to-4 model



Ordering Key

MD6C - 230 - 24 - 1 - 4 - C - 0

Input voltage	100: 100V AC 120: 120V AC 230: 230V AC
Output voltage	24: 24V DC
Number of control	1: 1 channel 2: 2 channels
Number of actuator	1: 1 channel 2: 2 channels 3: 3 channels 4: 4 channels
Option	C: C Clip B: Bracket
Reserved	0: No meaning

Terms of Use

The user is responsible for application suitability of Moteck products. As ongoing improvement process continues, products listed on the Moteck website are subject to change without prior notice. Moteck reserves the right to terminate the sales or remove any product displayed on the website, or listed in its catalogues.