

# Junction Box

## JB3

JB3 is a multifunctional junction box, which belongs to the **MoBus™** family of Moteck medical control systems. JB3 is designed to connect with the **MoBus™** control box to expand the control interface of the control box in order to connect multiple control devices or accessories, such as the hand control of hospital beds, bedside control panels, floor lights and weighing systems. JB3 can also be said to be a portal channel for **MoBus™** system expansion.



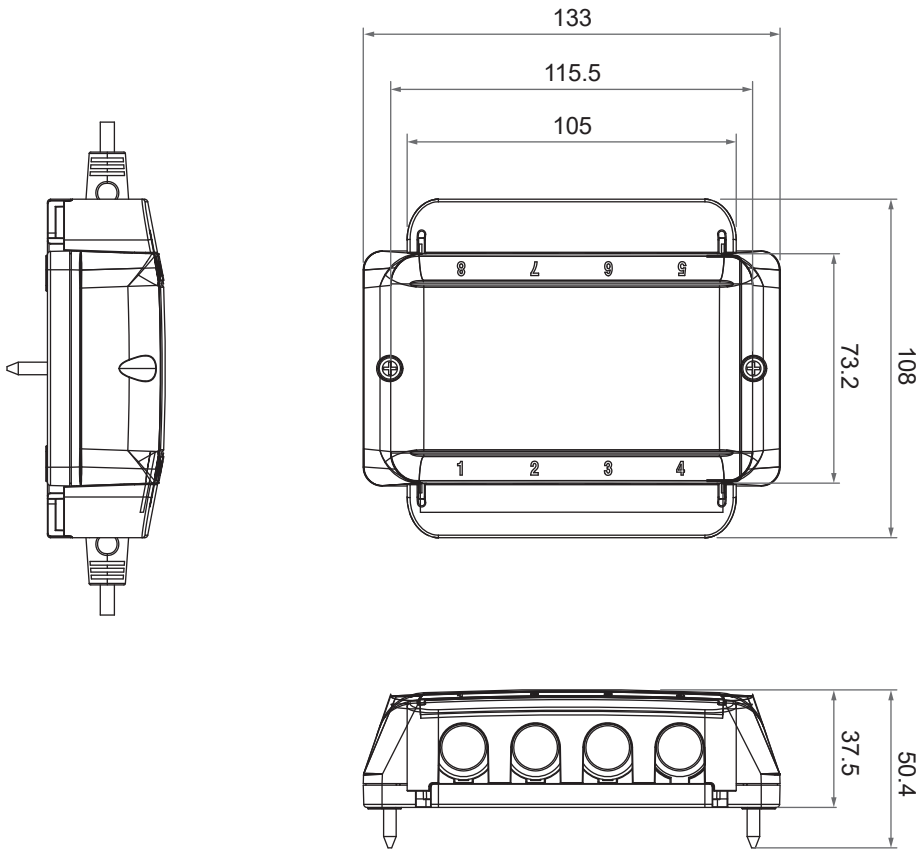
### Features

---

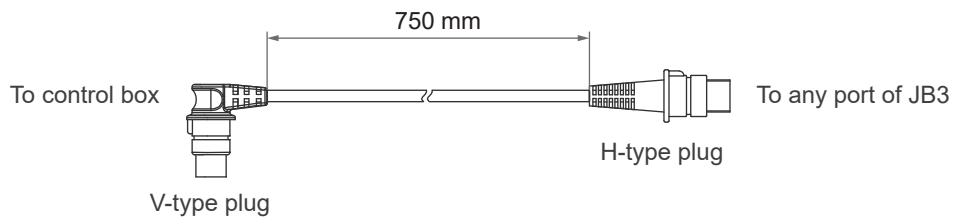
- Main applications: Medical, home care
- Moteck proprietary **MoBus™** protocol
- Connection ports: Total 8
- IP Protection level: IPX6
- Support max. 5x ports for Moteck **MoBus™** control
- Support max. 1x port for analog control
- Support max. 1x port for 5VDC lighting switch
- Color: Light grey RAL 7035
- Cable: An independent 750mm straight cable, with DIN connectors on both ends.

# Dimensions

Unit: mm

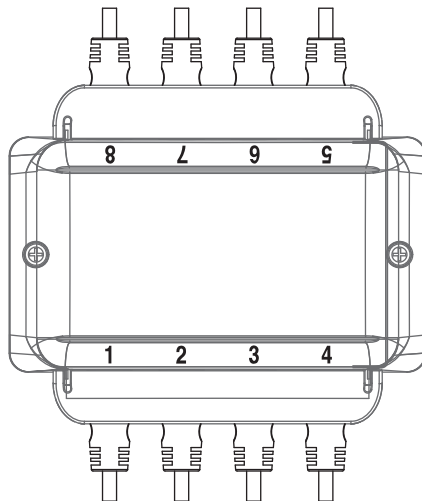


## Cable



## Connect Port#

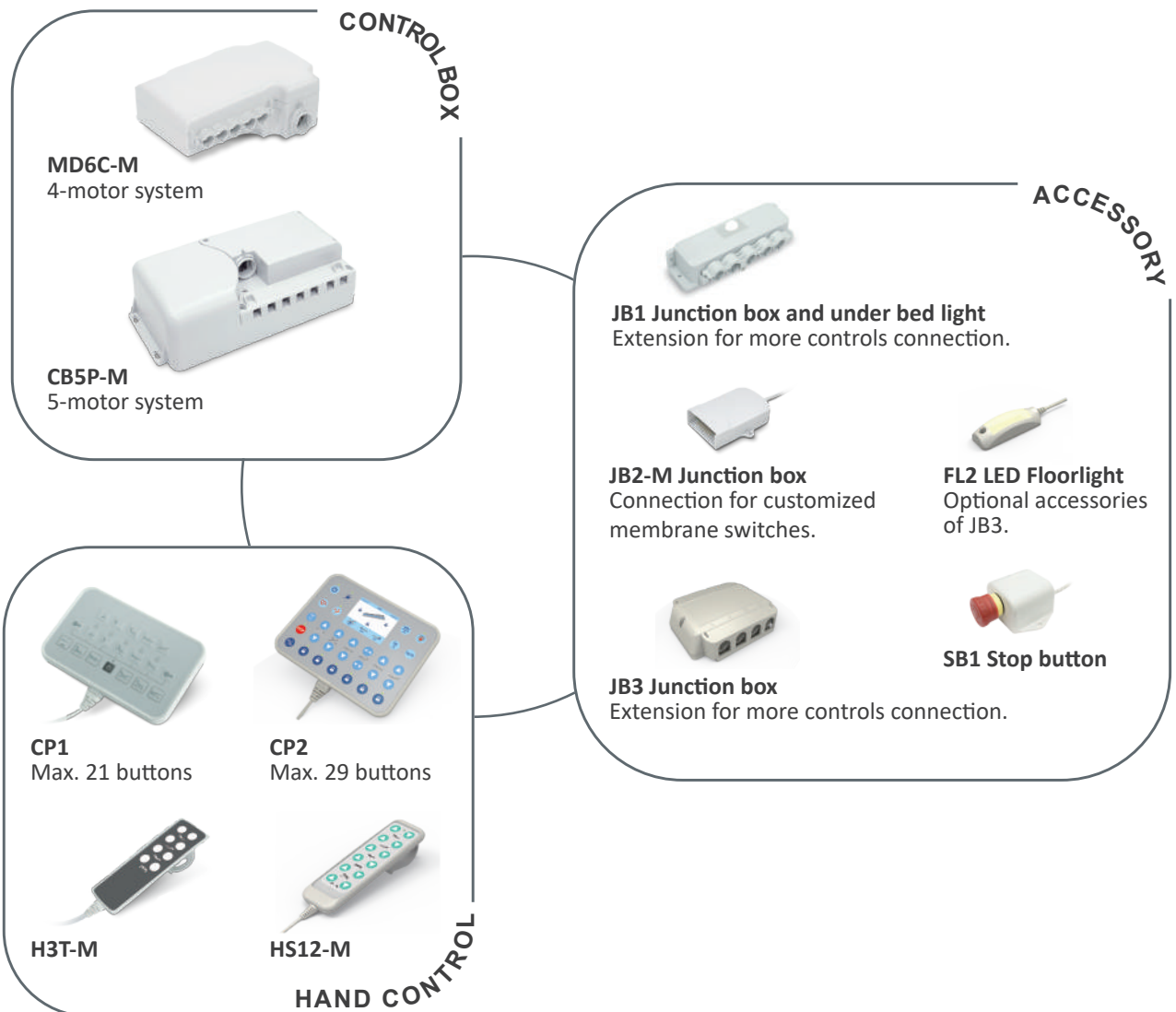
- Control boxes and Bus controls: 1, 2, 3, 7, 8
- Analog controls: 4
- Accessories: 5, 6



# Compatibility

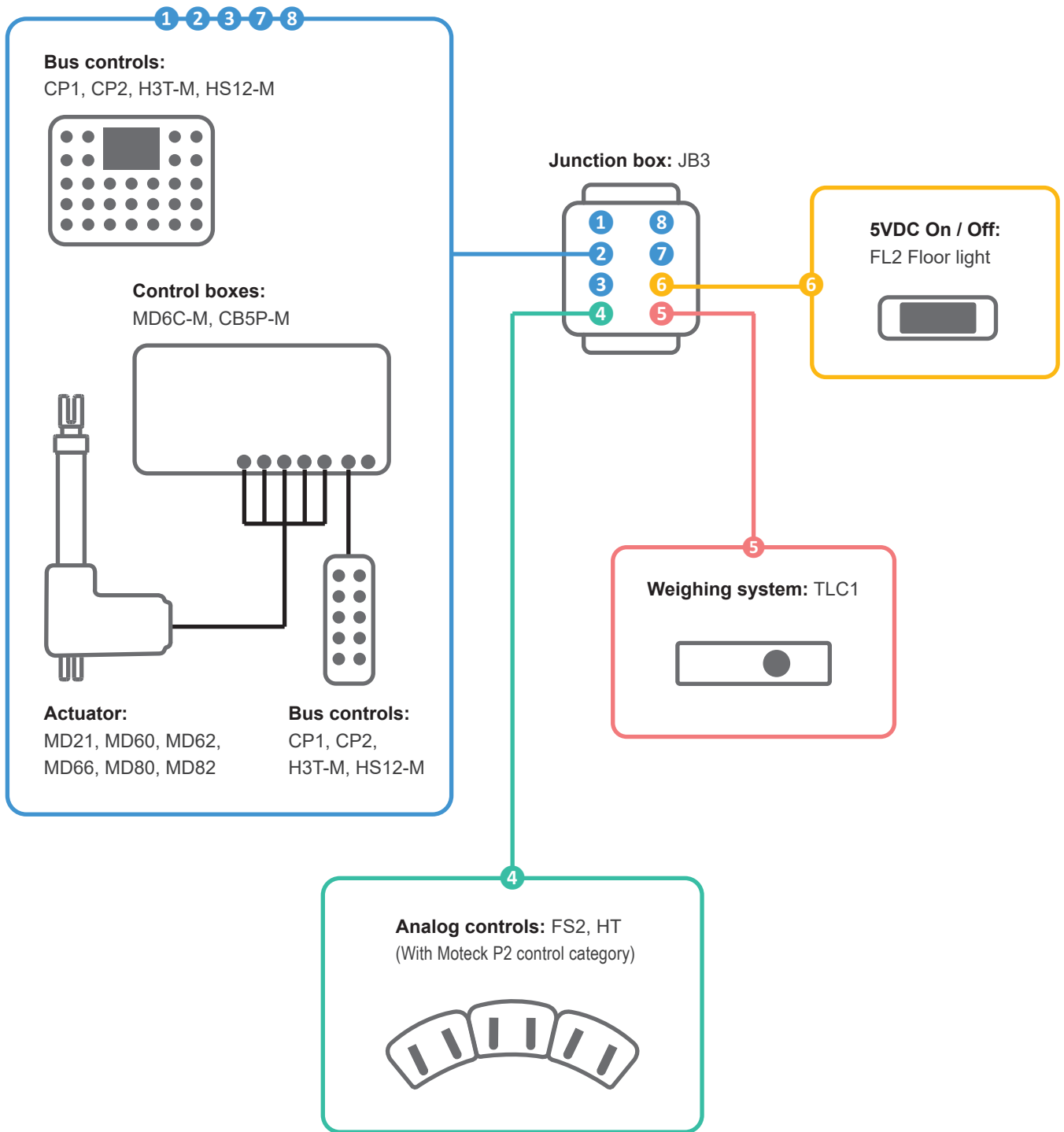
Product	Models	Compatible spec	Connect port#
<b>Control boxes</b>	MD6C-M, CB5P-M	- Moteck <b>MoBus™</b> control category - Moteck H-type 7-pin DIN plug	1, 2, 3, 7, 8
<b>Bus controls</b>	CP1, CP2, H3T-M, HS12-M		
<b>Analog controls</b>	FS2 Pedal control	- Moteck P2 control category - Moteck H-type 8-pin DIN plug	4
<b>Accessories</b>	TLC1 Weighing system	- Moteck H-type 4-pin DIN plug	5
	FL2 Floor light	- 5VDC On / Off - Moteck H-type 2-pin DIN 41529 plug	6

## MoBus™ family



**Application examples:**

The below diagram explains how to extend your accessories through JB3.



## Ordering Key

	<b>JB3- A - 5 P W S 0</b>
Function version	<b>A:</b> Function version A
MoBus™ control port	<b>2~5:</b> Extension for MoBus™ controls connection
Analog control port	<b>P:</b> 1x port for Moteck P2 control category <b>0:</b> None
Weighing system port	<b>W:</b> 1x port for weighing system <b>0:</b> None
Light switch port	<b>S:</b> 1x port for light switch (5V DC Output) <b>0:</b> None
Reserved	<b>0:</b> No meaning

### Terms of Use

The user is responsible for application suitability of Moteck products. As ongoing improvement process continues, products listed on the Moteck website are subject to change without prior notice. Moteck reserves the right to terminate the sales or remove any product displayed on the website, or listed in its catalogues.