

Junction Box JB1

The main function of JB1 is to enable the control box to connect more hand controls. There are three functional versions to choose from, connecting up to 4 hand controls or nurse control panels for medical care applications.

Optional built-in under-bed light option provides illumination at night or in the dark.

Or choose the RF receiver option and pair it with the Moteck remote control to achieve wireless remote control.



Features and Options

Main applications: Medical

Standard features:

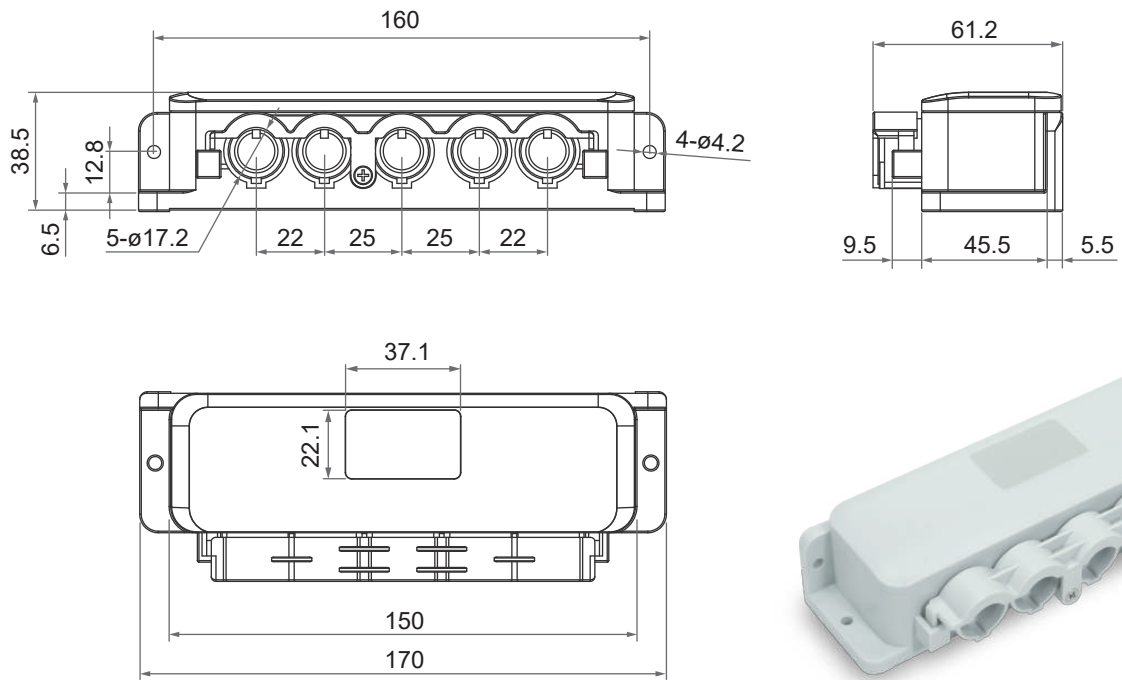
- Connection ports: Total 5, no difference between input and output.
- IP Protection level: IPX5 (Indoor use only)
- Color: Light gray RAL 7035
- Cable: An independent 750, 1200 mm straight cable, with DIN connectors on both ends.

Options:

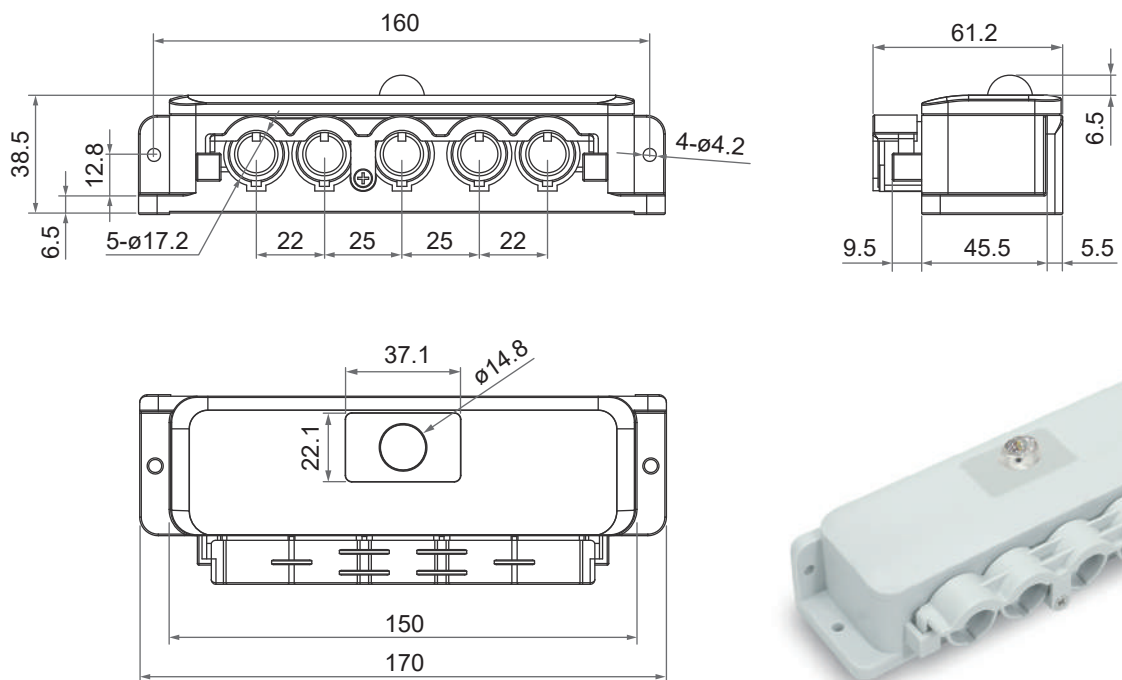
- White LED for under bed lighting
- Built-in RF receiver (2.4GHz)

Dimensions

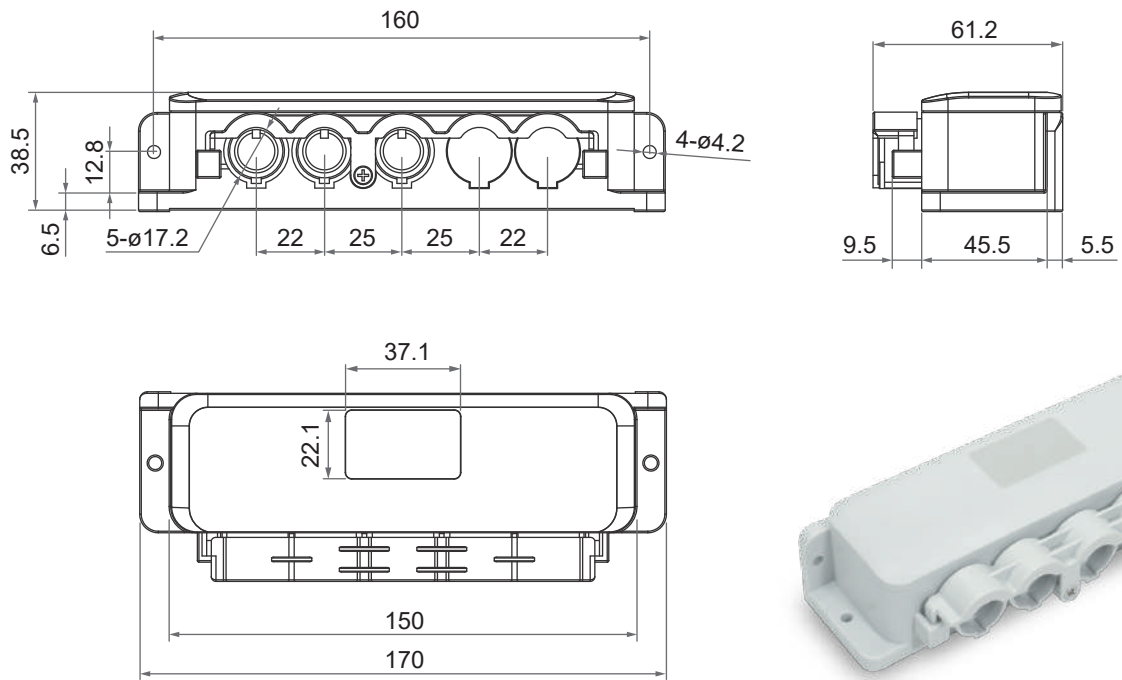
- Standard version



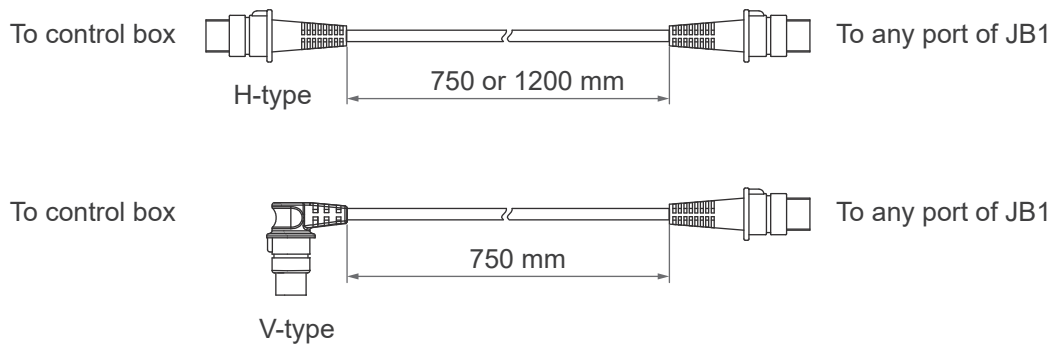
- Built-in under bed light version



- Built-in RF receiver version



- Cable length



Compatibility

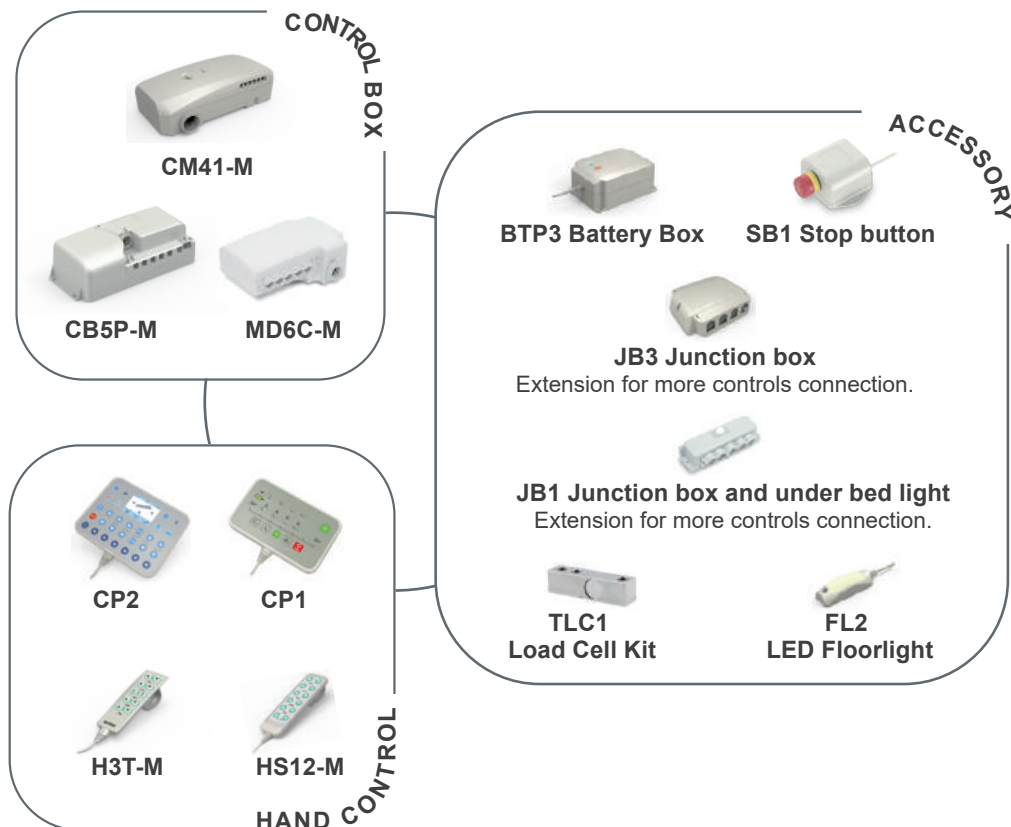
- Standard or Built-in under bed light version

Product	Model	JB1 spec
Control box	CM41-M, CB5P-M, MD6C-M	- Moteck proprietary Bus protocol - Moteck H-type or V-type 7-pin DIN plug
Hand control	HS12-M, H3T-M, CP1, CP2	- Moteck proprietary Bus protocol - Moteck H-type 7-pin DIN plug

- Built-in RF receiver version

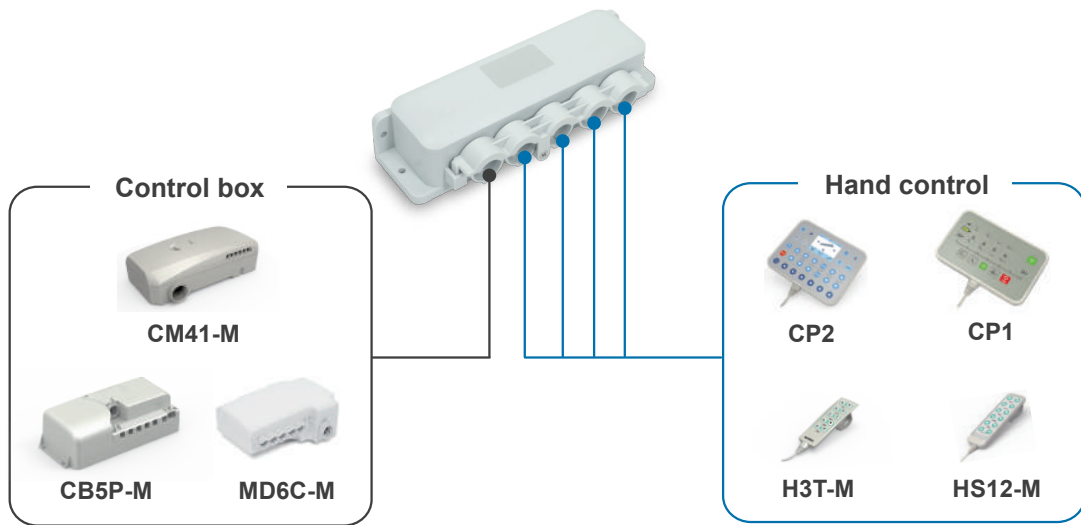
Product	Model	JB1 spec
Control box	CM41-M, CB5P-M, MD6C-M	- Moteck proprietary Bus protocol - Moteck H-type or V-type 7-pin DIN plug
Hand control	HS12-M, H3T-M, CP1, CP2	- Moteck proprietary Bus protocol - Moteck H-type 7-pin DIN plug
RF remote control	TXC, TXH3, TXT, TX2T, TXZ	- 2.4GHz - Without position memory function

- Moteck Bus family

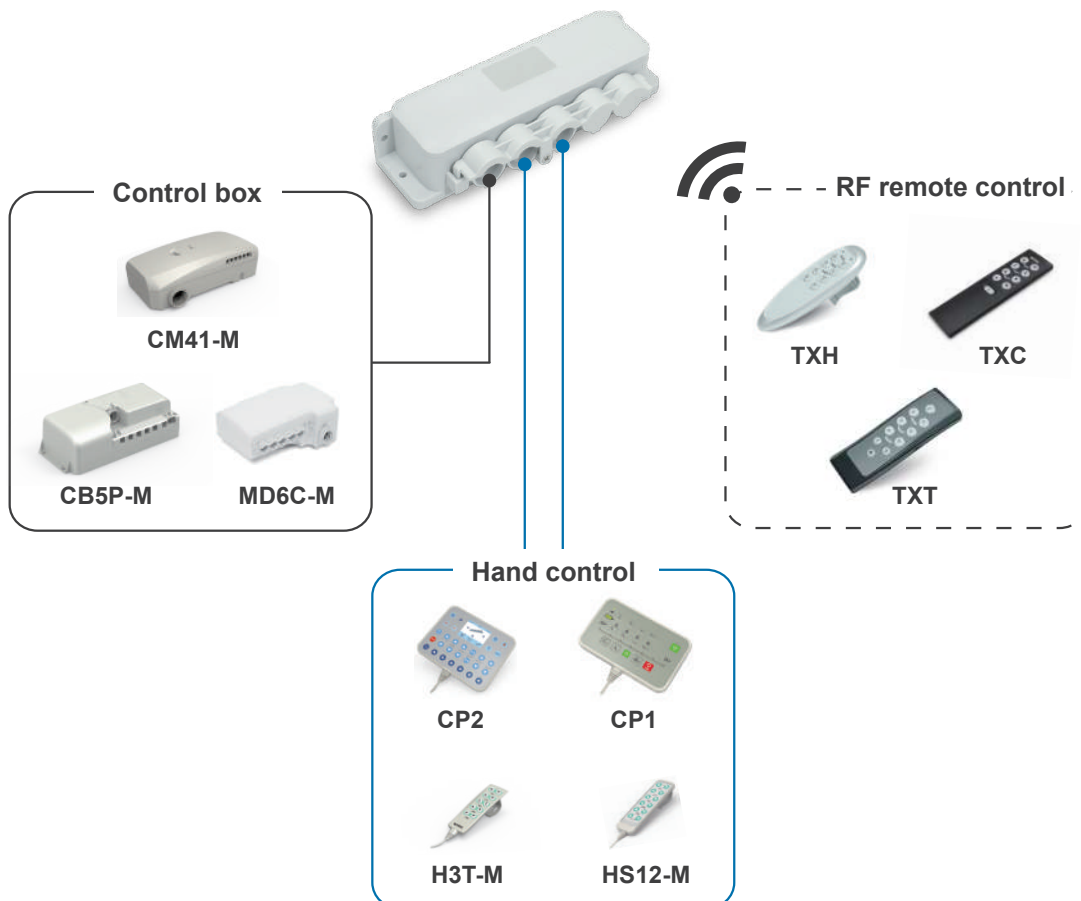


I/O introduction

- Standard or built-in under bed light version



- Built-in RF receiver version



Ordering Key

JB1- R - 0 A H

Version	0: Standard L: Built-in under bed light R: Built-in RF receiver
Reserved	0
Cable length	A: 750 mm straight B: 1200 mm straight
Cable plug	H: MOTECK H-type DIN plug V: MOTECK V-type DIN plug

Terms of Use

The user is responsible for application suitability of Moteck products. As ongoing improvement process continues, products listed on the Moteck website are subject to change without prior notice. Moteck reserves the right to terminate the sales or remove any product displayed on the website, or listed in its catalogues.