

Hand Control HTF

HTF is designed for patient hoists or stand-up lifts and other home care applications. The complete panel cover design enhances the water proof ability on this handset. And the arc shape makes it easy to hold. There is also optional safety key function, which can stop the system action in an emergency.



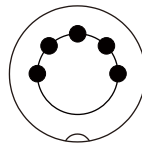
Features and Option

- Main applications: Medical Care
- Available number of buttons: 4 max.
- IP Protection level: IPX5
- Color: Textured light gray (RAL 7035)
- With hook for easy placement
- Cable length: Total 880mm long with 420mm spiral
- Optional safety key

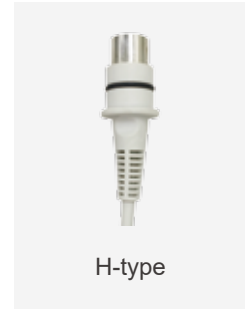
Compatibility

Product	Compatible models	Compatible requirement
Control box	CBP2, CBP3, CM42, CM43	<ul style="list-style-type: none">- Moteck P2 control category- With Moteck H-type 5-pin DIN plug

Cable plug



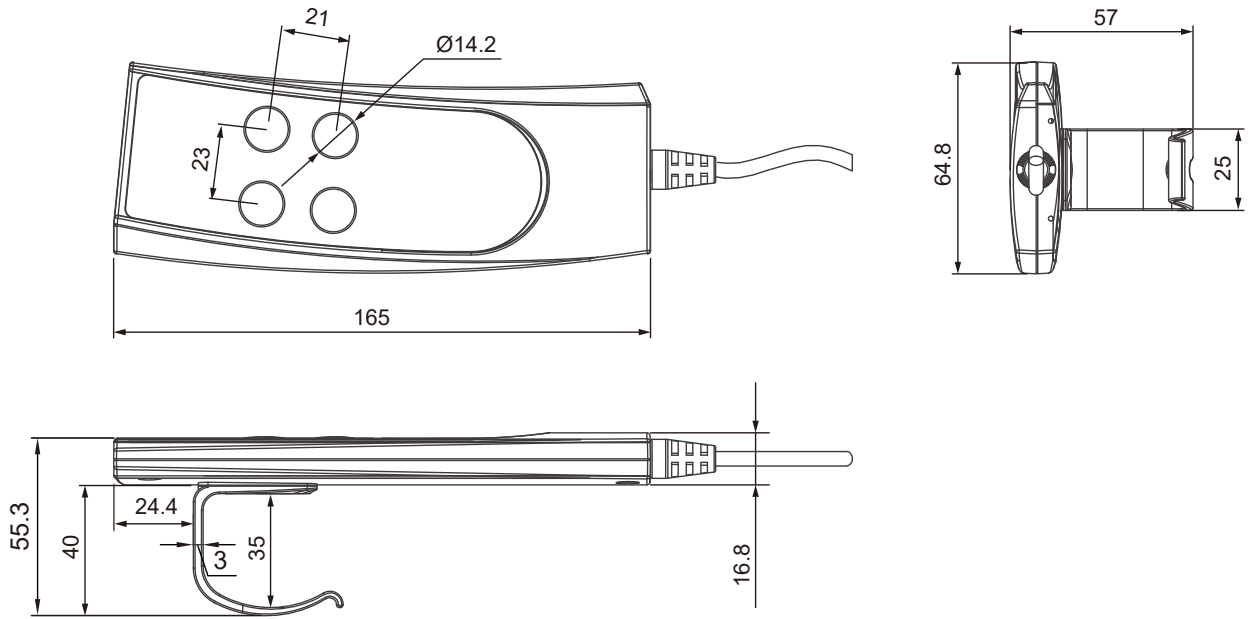
5-pin DIN plug



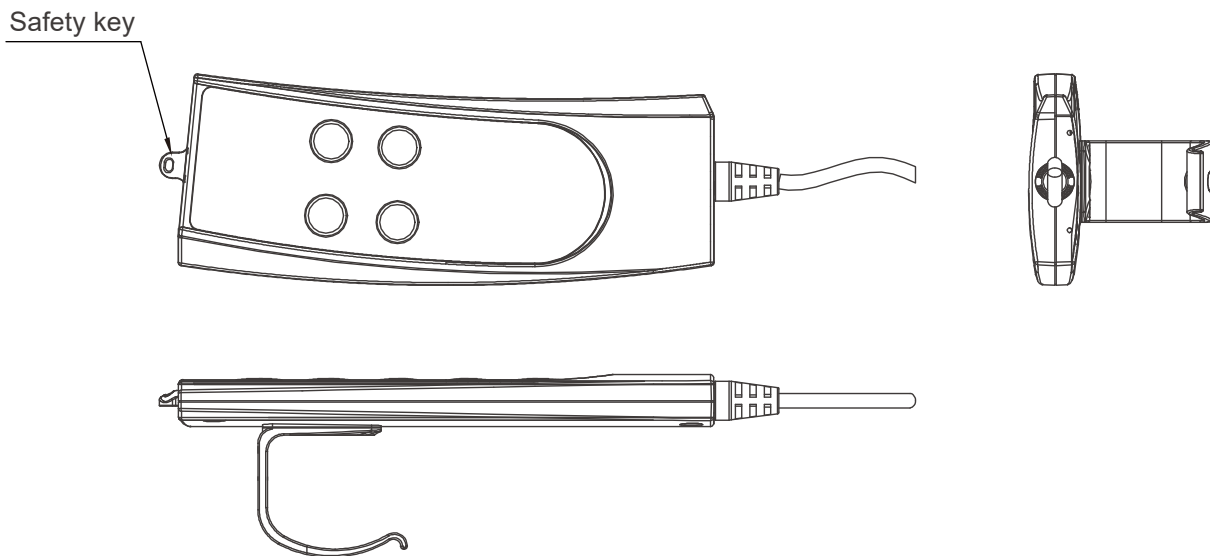
H-type

Compatibility

- HTF



- With safety key



Standard Panel Artwork

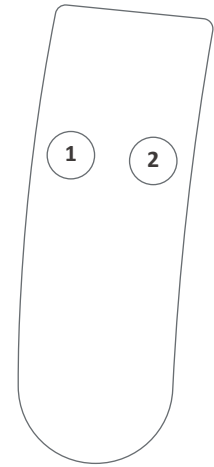
Definition 1

Code	A
Artwork	

Button definition 1:

- Artwork A

- ① Actuator #1 extend
- ② Actuator #1 retract



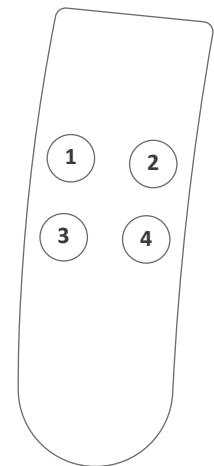
Definition 2

Code	B
Artwork	

Button definition 2:

- Artwork B

- ① Actuator #1 extend
- ② Actuator #1 retract
- ③ Actuator #2 retracts in lifting frame
- ④ Actuator #2 extends in lifting frame



Ordering Key

HTF - 04 - 2 - 00 - 00 - 0 B 0

Button	02: 2 buttons 04: 4 buttons
Number of motor	1: 1 motor 2: 2 motors
Function	00: Standard
Accessory	00: None SK: Safety key
Reserved	0
Panel artwork code	A, B (Refer to paragraph of Standard Panel Artwork)
Reserved	0

Terms of Use

The user is responsible for application suitability of Moteck products. As ongoing improvement process continues, products listed on the Moteck website are subject to change without prior notice. Moteck reserves the right to terminate the sales or remove any product displayed on the website, or listed in its catalogues.