

Hand Control HS15



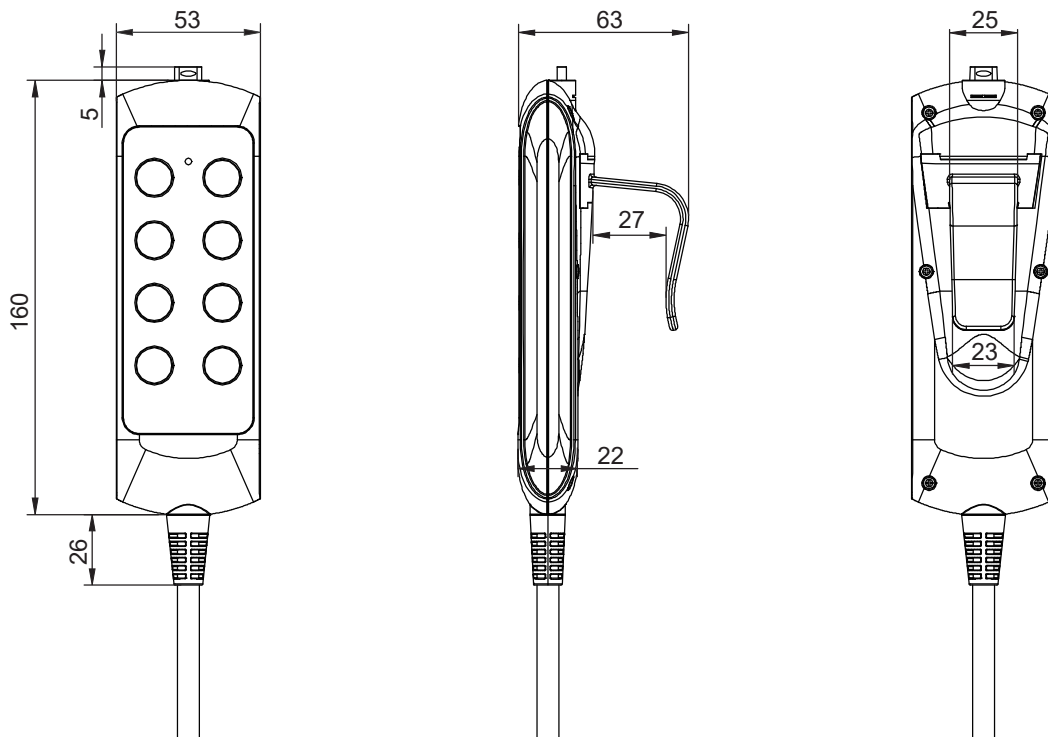
HS15 is a direct-cut hand control, which can be directly connected to the actuator and power supply without a control box. HS15 is equipped with a nurse key, which can lock all buttons to prevent improper operation by unauthorized persons. It is suitable for medical applications.

Features and Options

- Main application: Medical care
- Available actuator number to control: 3 or 2
- Max. number of buttons: 8
- Detachable cable set
- Nurse lock
- With hook for easy placement
- LED indicator
- Cable length: 2000mm straight
- Optional color: Black/Light gray (RAL 7035)

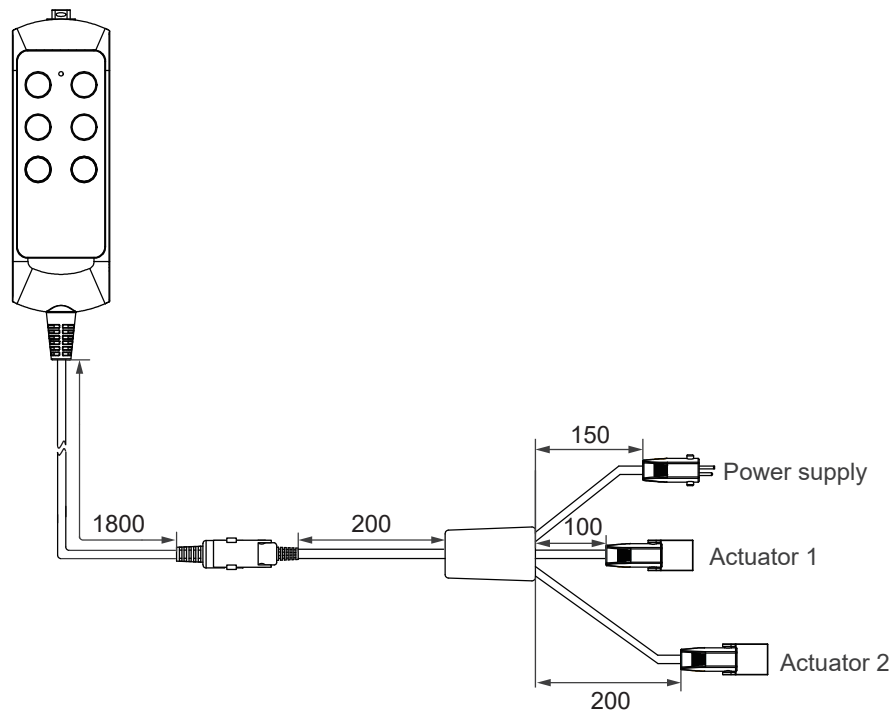
Dimensions

Unit: mm

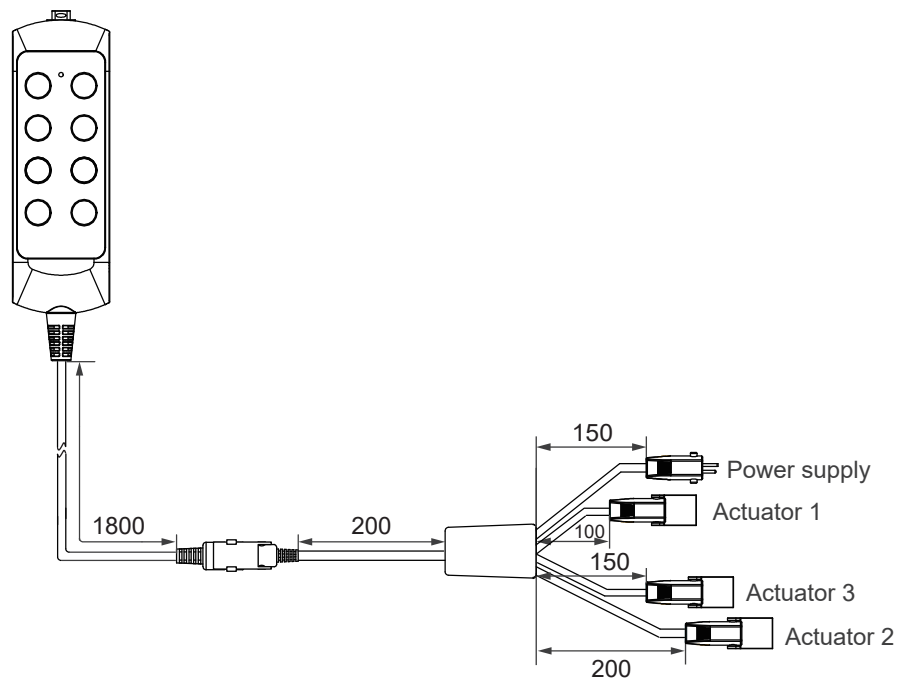


Cable plug

- 2 actuators

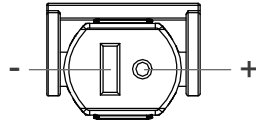


- 3 actuators

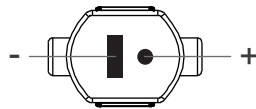


Plug type

- Actuator socket: Moteck S-type DIN 41529 female connector



- Power supply plug: Moteck S-type DIN 41529 male plug



S-type connector



S-type plug

Compatibility

Product	Model	Compatible requirement
Actuator	FD60, MK33, MD66	- With Moteck S-type DIN 41529 male plug
Power supply	DPA-58-2920-C8, DPA-87-2930-C8	- With Moteck S-type DIN 41529 female connector

Standard Panel Artwork

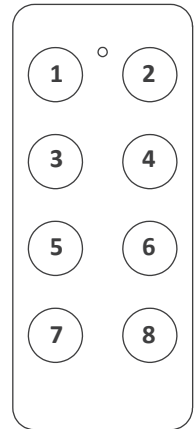
• Definition 1

Code	A	B	C
Artwork			

Definition 1:

• Artwork A, B, C

- 1 Actuator #1, #2 extend
- 2 Actuator #1, #2 retract
- 3 Actuator #1 extends
- 4 Actuator #1 retracts
- 5 Actuator #2 extends
- 6 Actuator #2 retracts
- 7 Actuator #3 extends
- 8 Actuator #3 retracts



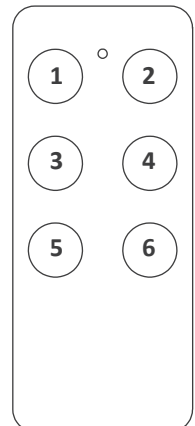
• Definition 2

Code	D	E	F
Artwork			

Definition 2:

• Artwork D, E, F

- 1 Actuator #1 extend
- 2 Actuator #1 retract
- 3 Actuator #2 extends
- 4 Actuator #2 retracts
- 5 Actuator #1, #2 extends
- 6 Actuator #1, #2 retracts
- 7 Actuator #3 extends
- 8 Actuator #3 retracts



Ordering Key

HS15 - 06 - 3 - 00 - S A B 2

Button	04: 4 buttons 06: 6 buttons 08: 8 buttons
Number of actuator	2: 2 actuators 3: 3 actuators
Function	00: Standard 01: Joint movement
Detachable cable set	S: Detachable cable set
Panel artwork code	A~F (Refer to Standard Panel Artwork)
Color	B: Black G: Light gray (RAL 7035)
Cable length	2: 2000mm straight

Nurse lock

- **UNLOCK:**

When the hand control is powered on and the key is plugged in, the LED indicator of the hand control is always on (all button functions are available).



indicator ON



- **ALL LOCK:**

When the key is unplugged, the LED indicator of the hand control is off (all buttons are disabled).



indicator OFF



Terms of Use

The user is responsible for the suitability of MOTECK products, and the products listed on the MOTECK website are subject to change without notice. MOTECK reserves the right to terminate sales or delete any products displayed on the website or listed in its catalog.

MOTECK[®]
www.motECK.com