

# Hand Control HS13

HS13 has an IPX6 waterproof rating and is a Direct-cut hand controller specially designed for medical applications. The HS13 hand controller is directly connected to the actuator through a specific connector, and together with the power supply becomes a simple system without a control box.



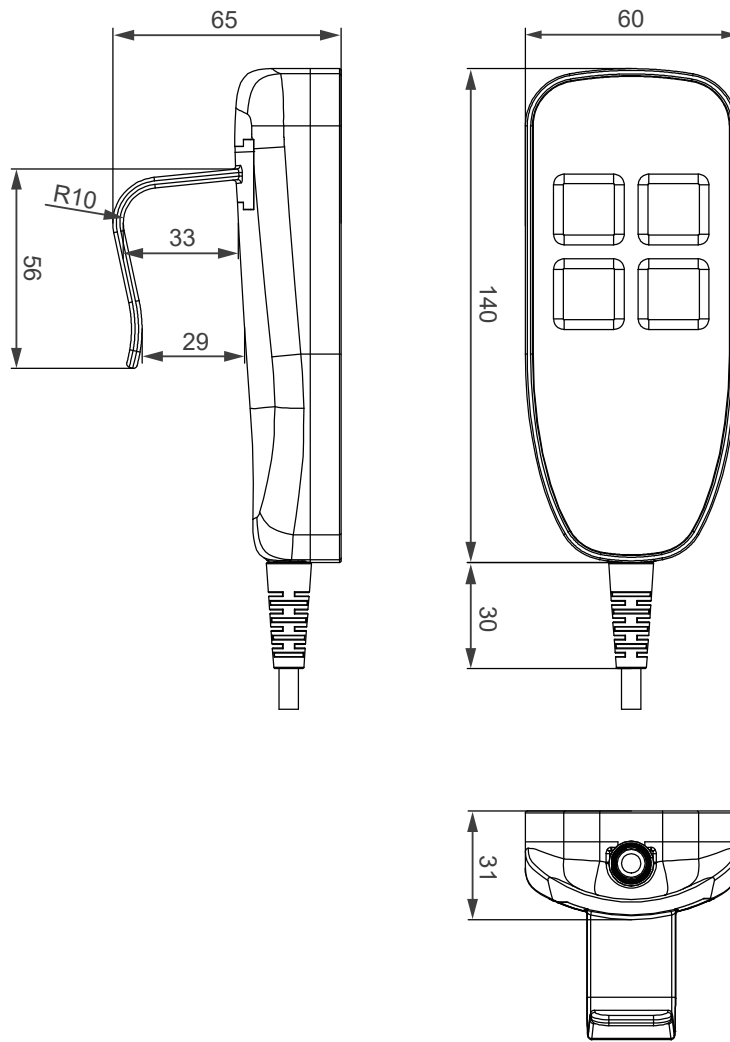
## Features

---

- Main applications: Medical
- Available number of buttons: 4 max.
- IP protection level: IPX6
- Color: Light gray (RAL 7035)
- LED power on indicator
- With hook for easy placement
- Cable length: Total 880mm long with 420mm spiral

# Dimensions

Unit: mm



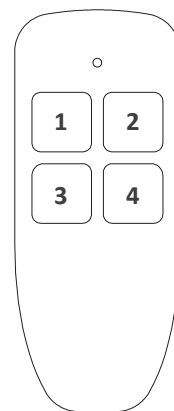
# Standard Panel Artwork

Code	A	B
Artwork		

### Button definition:

• Artwork A, B

- 1 Actuator #1 extends
- 2 Actuator #1 retracts
- 3 Actuator #2 extends
- 4 Actuator #2 retracts



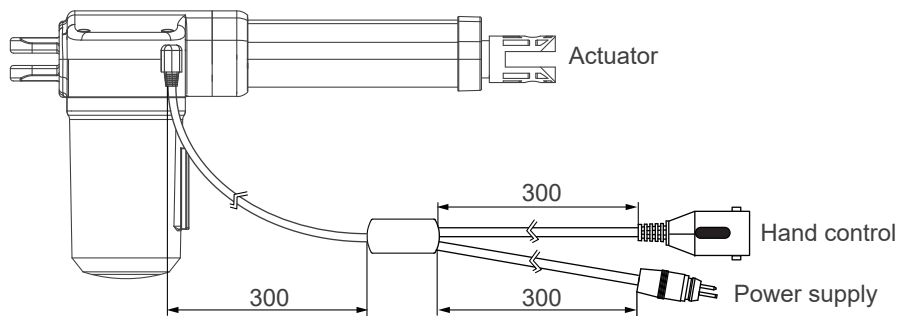
# Compatibility

Product	Model	Compatible requirement
Actuator	MD60, MD66, MD7, MD80, MD82	With Moteck Direct-Cut cable DL3 or TL3*

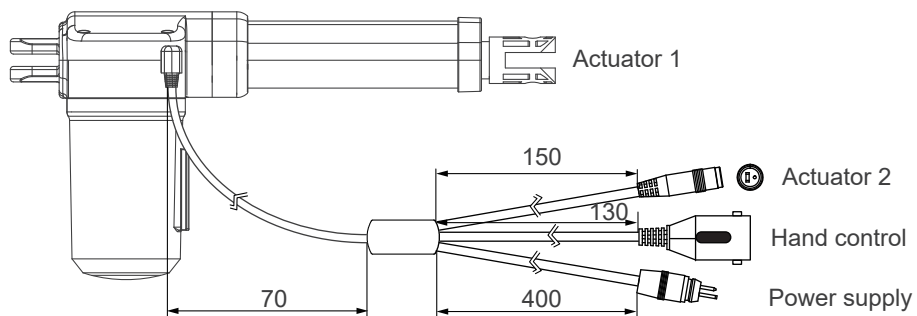
**\*Remarks:**

Moteck Direct-Cut cable DL3 or TL3 to connect to hand control (H-type 5-pin DIN plug) and power supply.

**- DL3**



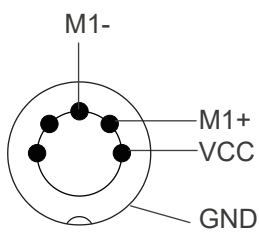
**- TL3**



# Plug

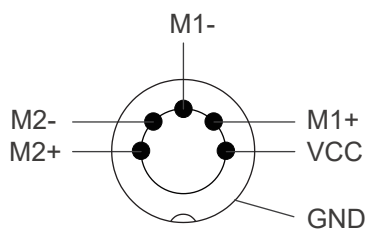
**- MOTECK H-type 5-pin DIN plug**

- 1 drive



(Moteck pinout: C-DIN-51R)

- 2 drives



(Moteck pinout: C-DIN-52R)



## Ordering Key

---

HS13 - 02 - 1 - A 3 0

<b>Button</b>	<b>02:</b> 2 buttons <b>04:</b> 4 buttons
<b>Number of motor</b>	<b>1:</b> 1 motor <b>2:</b> 2 motors
<b>Panel artwork code</b>	<b>A, B:</b> (Refer to Standard Panel Artwork)
<b>Hook</b>	<b>3:</b> Standard hook (30 mm)
<b>Reserved</b>	<b>0:</b> No meaning

---

### Terms of Use

The user is responsible for the suitability of MOTECK products, and the products listed on the MOTECK website are subject to change without notice. MOTECK reserves the right to terminate sales or delete any products displayed on the website or listed in its catalog.