

Hand Control HS12L



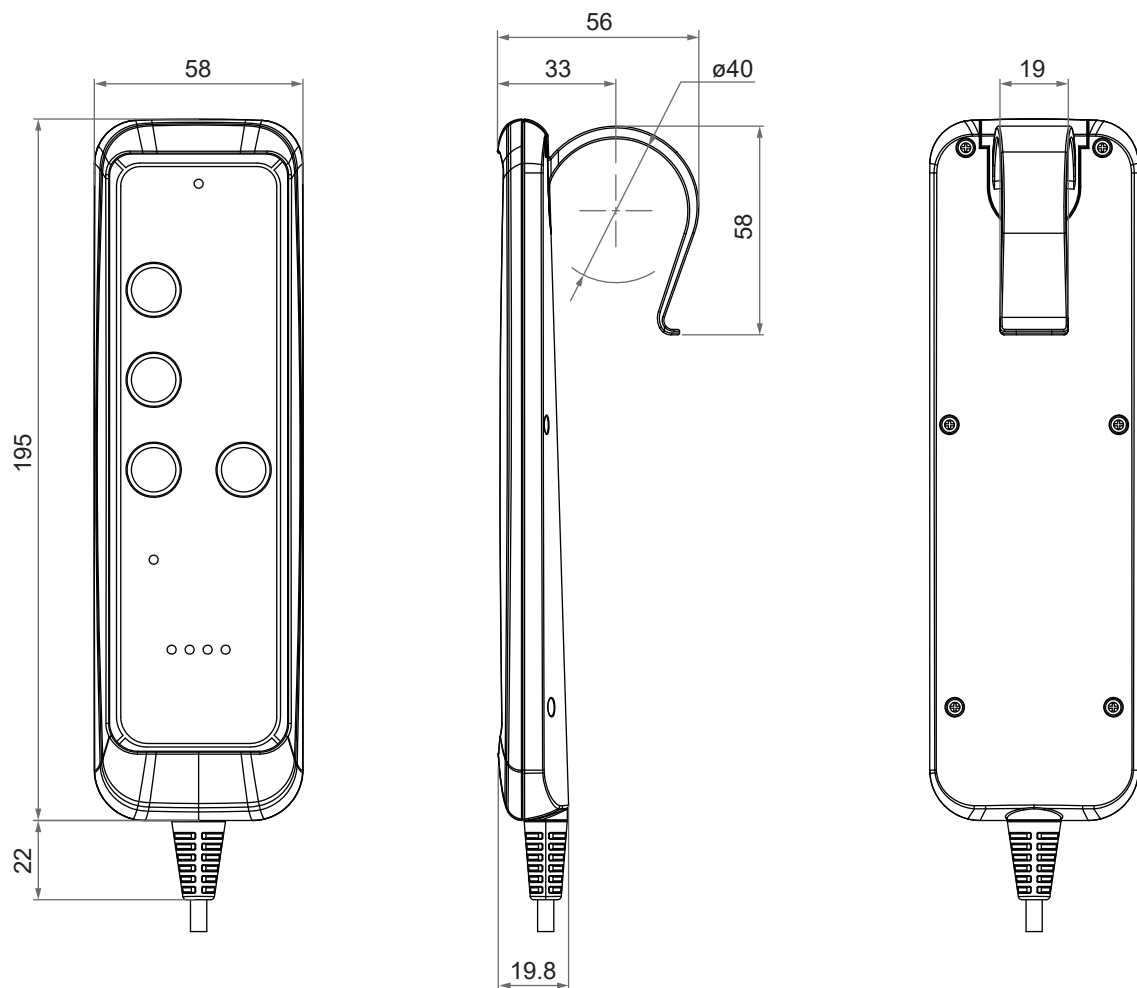
HS12L is a hand control specially designed for patient lift, with IPX6 waterproof design and simple operation interface. It has LED indicator option to display the battery level of control box, as well as warnings for excessive operation or any obstructions.

Features and Options

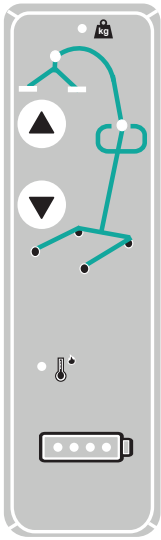
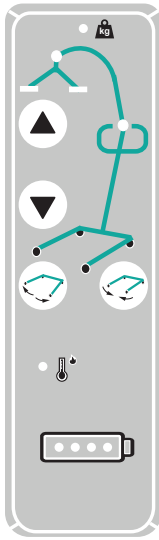
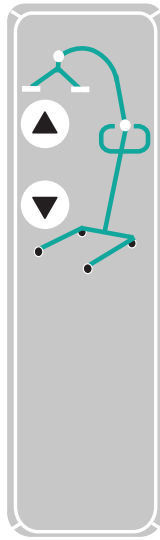
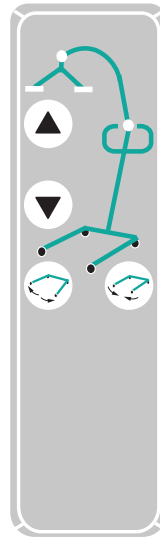
- Main applications: Medical, Home care
- Max. motor number to control: 2
- Available number of button: 2, 4
- IP Level: IPX6
- Color: Light grey RAL 7035
- With hook for easy placement
- Cable length: Total 880mm long with 420mm spiral
- Optional LED indicators for overload, usage warning, and battery level indication.

Dimensions

Unit: mm



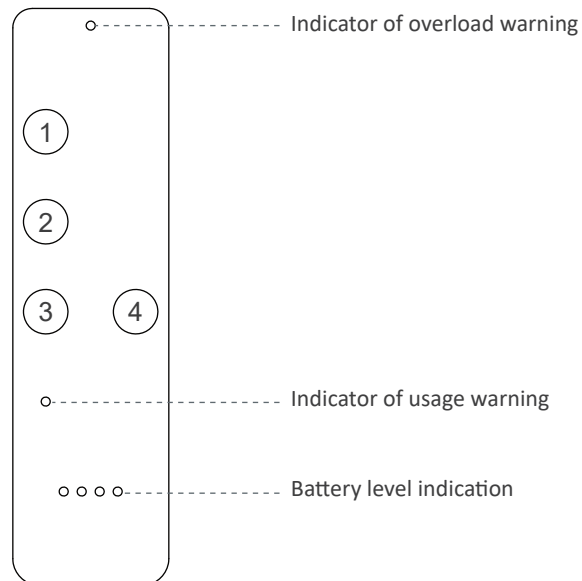
Standard Panel Artwork

Code	A	B	C	D
Artwork				
	HS12L-S2-A-01	HS12L-S4-B-01	HS12L-P2-C-01	HS12L-P4-D-01

Button definition:

- Artwork A, B, C, D

- ① Actuator #1 extends
- ② Actuator #1 retracts
- ③ Actuator #2 retracts
- ④ Actuator #2 extends



Compatibility

- Without LED indicator

Product	Model	HS12L spec
Control box	CM42, CBP2, CBP3	- Moteck P2 control category - MOTECK H-type 5-pin DIN plug



H-type

- With LED indicator

Product	Model	HS12L spec
Control box	CM42, CM43	- Moteck S3 control category - MOTECK H-type 8-pin DIN plug

Ordering Key

HS12L - S 4 - B - 0 1

Function version	P: Without LED indicator (Moteck P2 control category) S: With LED indicator (Moteck S3 control category)
Number of button	2: 2 buttons 4: 4 buttons
Panel artwork code (Refer to Page 3)	A, B, C, D
Reseverd	0: No meaning
Cable length	1: 880mm in length with 420mm spiral