

# Hand Control HS12

HS12 hand control has up to 12 keys and can drive up to 4 actuators. Nurse Lock is available to prevent the danger from improper operation. HS12 is mainly suitable for medical applications.



## Features and Option

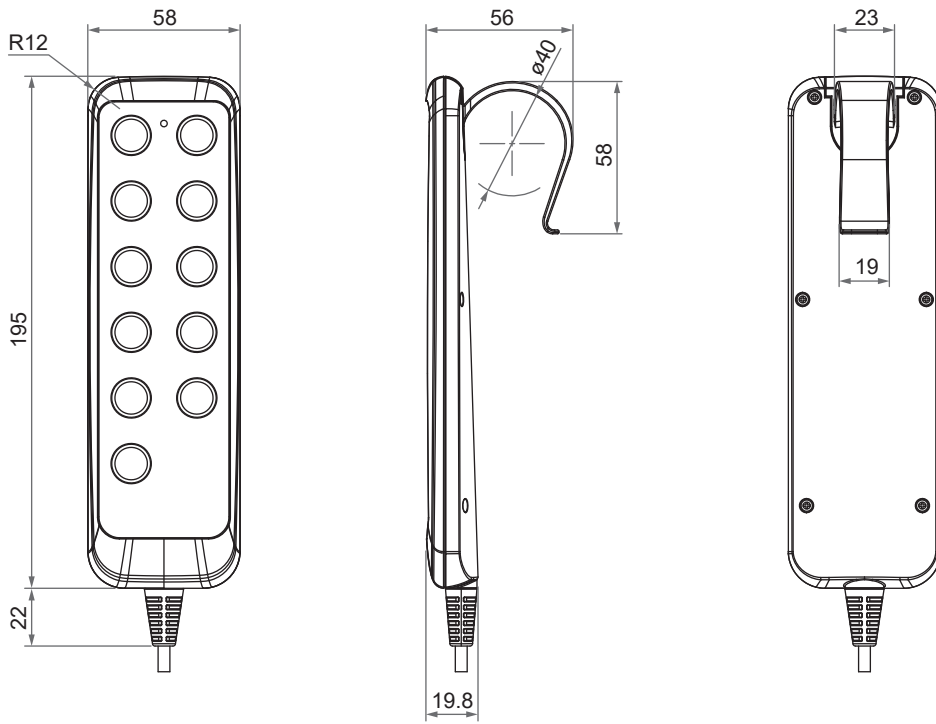
---

- Main applications: Medical
- Max. motor number to control: 4 max.
- Max. number of buttons: 12 max.
- Color: Light grey (RAL 7035)
- Cable length: Total 880mm long with 420mm spiral cable
- IP protection level: IPX6
- With hook for easy placement
- LED power on indicator
- Optional nurse lock

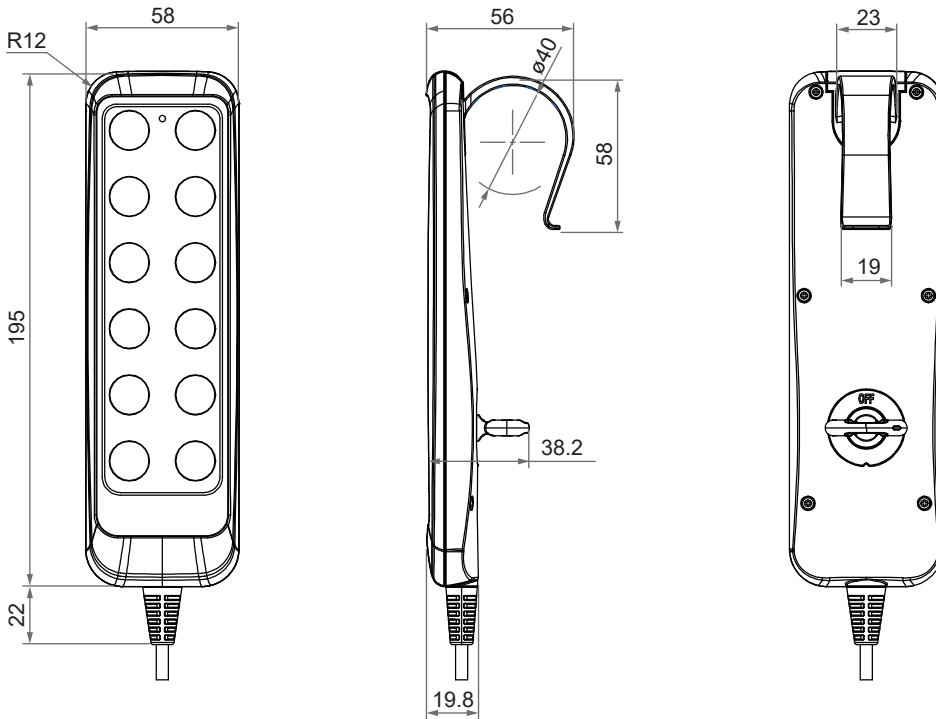
# Dimensions

Unit: mm

## • Standard (Without Nurse lock)

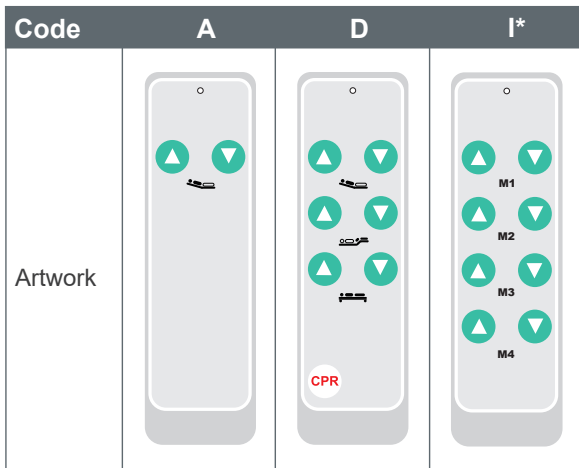


## • With Nurse lock



# Standard Panel Artwork

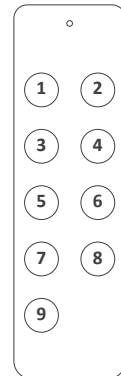
## • Definition 1



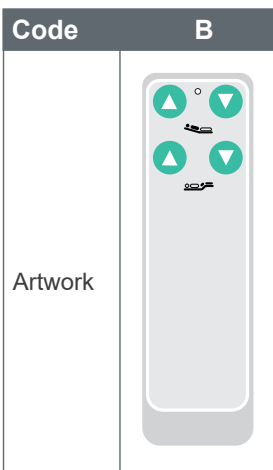
### Button definition:

#### Code A, D, I

- ① Actuator #1 extends
- ② Actuator #1 retracts
- ③ Actuator #2 extends
- ④ Actuator #2 retracts
- ⑤ Actuator #3 extends
- ⑥ Actuator #3 retracts
- ⑦ Actuator #4 extends
- ⑧ Actuator #4 retracts
- ⑨ All down



## • Definition 2

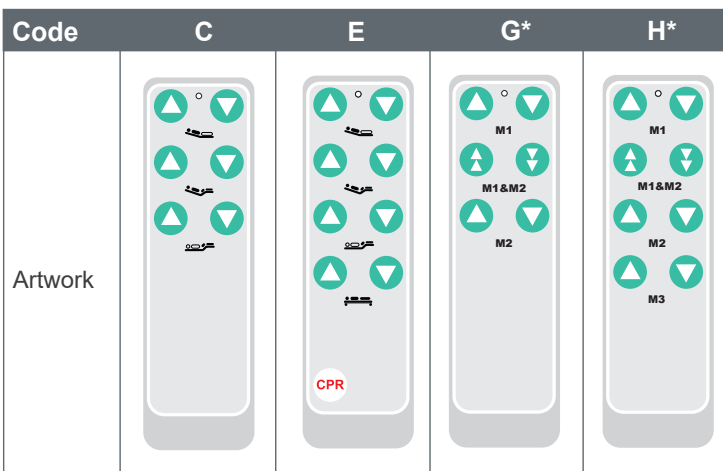


### Code B

- ① Actuator #1 extends
- ② Actuator #1 retracts
- ③ Actuator #2 extends
- ④ Actuator #2 retracts



## • Definition 3



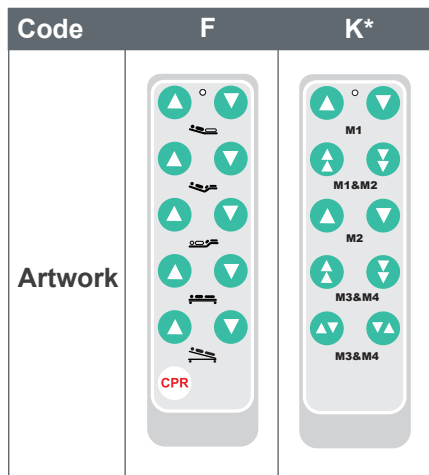
### Code C, E, G, H

- ① Actuator #1 extends
- ② Actuator #1 retracts
- ③ Actuator #1&2 extend
- ④ Actuator #1&2 retract
- ⑤ Actuator #2 extends
- ⑥ Actuator #2 retracts
- ⑦ Actuator #3 extends
- ⑧ Actuator #3 retracts
- ⑨ All down



\*Code G, H, I, J, K, L for Nurse Lock option

• Definition 4



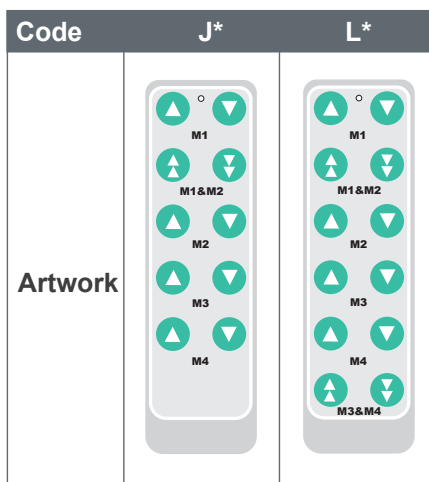
Button definition:

Code F, K

- ① Actuator #1 extends
- ② Actuator #1 retracts
- ③ Actuator #1&2 extend
- ④ Actuator #1&2 retract
- ⑤ Actuator #2 extends
- ⑥ Actuator #2 retracts
- ⑦ Actuator #3&4 extend
- ⑧ Actuator #3&4 retract
- ⑨ Actuator #3 extends,  
Actuator #4 retracts
- ⑩ Actuator #3 retracts,  
Actuator #4 extends
- ⑪ All down

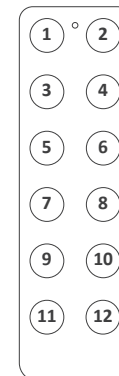


• Definition 5



Code J, L

- ① Actuator #1 extends
- ② Actuator #1 retracts
- ③ Actuator #1&2 extend
- ④ Actuator #1&2 retract
- ⑤ Actuator #2 extends
- ⑥ Actuator #2 retracts
- ⑦ Actuator #3 extends
- ⑧ Actuator #3 retracts
- ⑨ Actuator #4 extends
- ⑩ Actuator #4 retracts
- ⑪ Actuator #3&4 extend
- ⑫ Actuator #3&4 retract

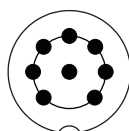


\*Code G, H, I, J, K, L for Nurse Lock option

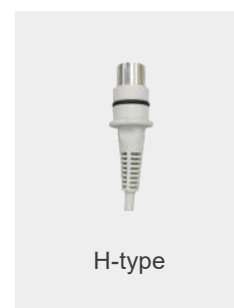
## Compatibility

Product	Model	Compatible requirement
Control Box	CB2P, CB4P, CB4P-HP, MD6C, MD7C, MD80M, CM45	- Moteck P1 control category - With Moteck H-type or V-type DIN plug

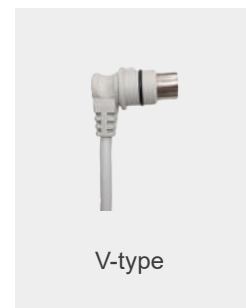
### Cable plug



8-pin DIN plug



H-type



V-type

## Ordering Key

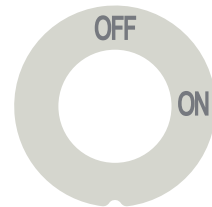
HS12 - 08 - 3 - N H 0 0 8

<b>Button</b>	02~12: 2~12 buttons
<b>Number of motor</b>	1: 1 motor 2: 2 motors 3: 3 motors 4: 4 motors
<b>Nurse lock</b>	0: Without Nurse lock N: With Nurse lock
<b>Panel artwork code</b>	A~L: (Refer to Standard Panel Artwork)
<b>Reserved</b>	0
<b>Reserved</b>	0
<b>Cable length</b>	8: 880mm in length with 420mm spiral

## Nurse Lock



**Nurse Lock :**  
**OFF:** Lock all functions  
**ON:** Unlock all functions



### Terms of Use

The user is responsible for the suitability of MOTECK products, and the products listed on the MOTECK website are subject to change without notice. MOTECK reserves the right to terminate sales or delete any products displayed on the website or listed in its catalog.