

Hand Control HS12-M

HS12-M has up to 12 control buttons mainly used in medical beds. Nurse Lock is available to prevent the danger from improper operation. HS12-M combined with Moteck's proprietary Bus communication, the function of each button can be defined by software according to different customer needs.



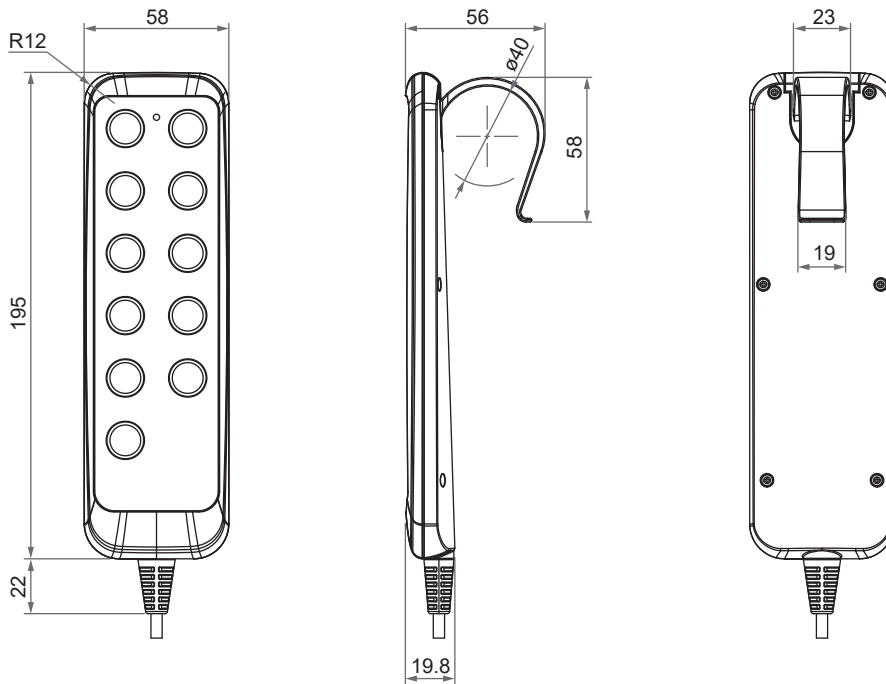
Features and Option

- Main applications: Medical Care
- Available number of buttons: 12 max.
- IP level: IP66
- Color: Light gray (RAL 7035)
- LED power on indicator
- With hook for easy placement
- Cable length: Total 1010mm in length with 250mm spiral cable
- Optional backlight, triggered by any button
- Optional nurse lock

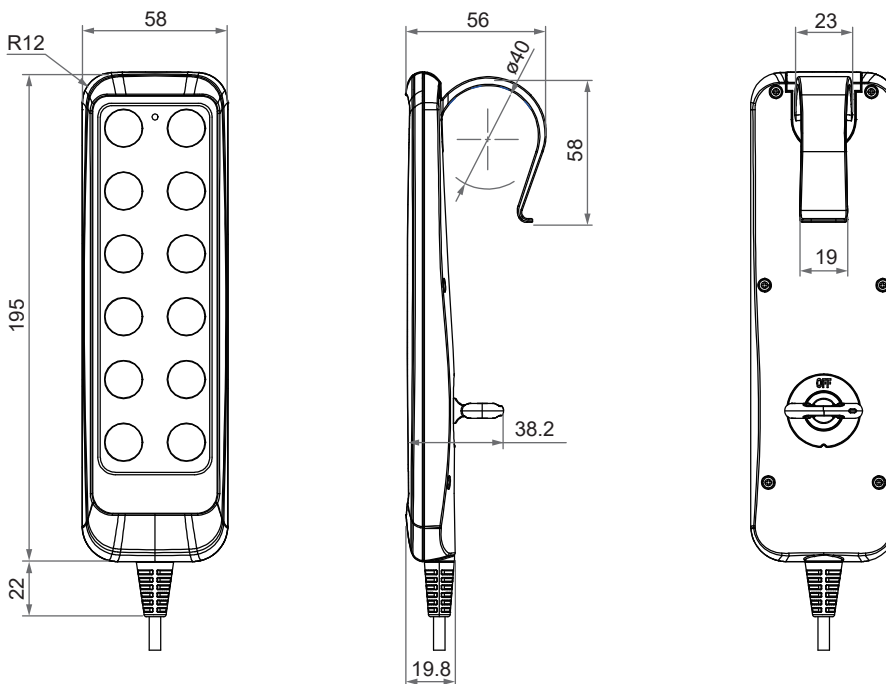
Dimensions

• Standard (Without Nurse lock)

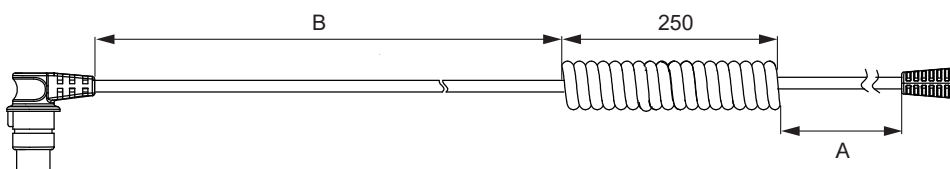
Unit: mm



• With Nurse lock



- Cable length: Total 1010mm in length with A: 160mm straight + 250mm spiral + B: 600mm straight



Standard Panel Artwork

• Function version A:

- Definition 1 (code: A, B, C, D)

Code	A	B	C	D
Artwork				

- Definition 2 (code: E, F, G)

Code	E	F	G
Artwork			

Button definition:

- Definition 1

- ① Actuator #1 extends
- ② Actuator #1 retracts
- ③ Actuator #2 extends
- ④ Actuator #2 retracts
- ⑤ Actuator #1 & #2 extend
- ⑥ Actuator #1 & #2 retract
- ⑦ Actuator #3 extends
- ⑧ Actuator #3 retracts

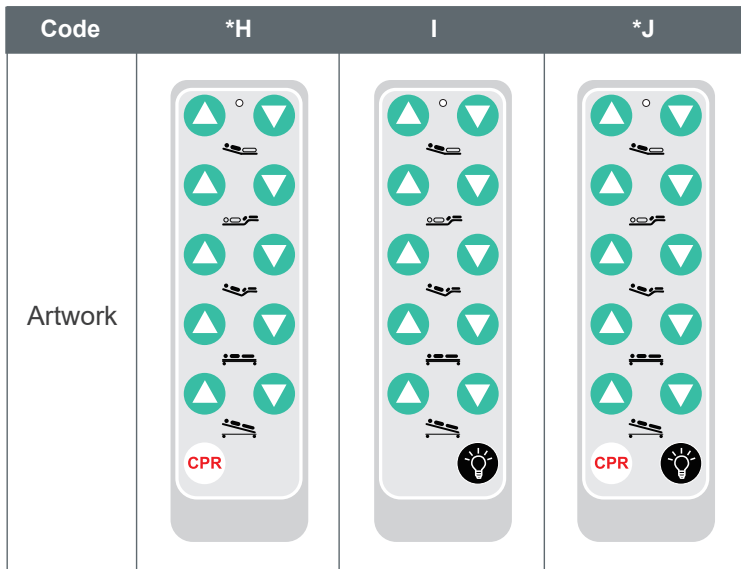
- Definition 2

- ① Actuator #1 extends
- ② Actuator #1 retracts
- ③ Actuator #2 extends
- ④ Actuator #2 retracts
- ⑤ Actuator #1 & #2 extend
- ⑥ Actuator #1 & #2 retract
- ⑦ Actuator #3 & #4 extend
- ⑧ Actuator #3 & #4 retract
- ⑨ Actuator #3 extends, #4 retracts
- ⑩ Actuator #3 retracts, #4 extends
- ⑪ Actuator #5 extends
- ⑫ Actuator #5 retracts



• **Function version B:**

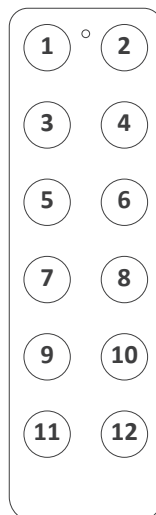
- **Definition 3 (code: H, I, J)**



Button definition:

- **Definition 3**

- ① Actuator #1 extends
- ② Actuator #1 retracts
- ③ Actuator #2 extends
- ④ Actuator #2 retracts
- ⑤ Actuator #1 & #2 extend
- ⑥ Actuator #1 & #2 retract
- ⑦ Actuator #3 & #4 extend
- ⑧ Actuator #3 & #4 retract
- ⑨ Actuator #3 extends, #4 retracts
- ⑩ Actuator #3 retracts, #4 extends
- ⑪ CPR: All down
- ⑫ Light switch

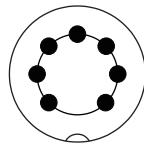


***Code H, J without nurse key option**

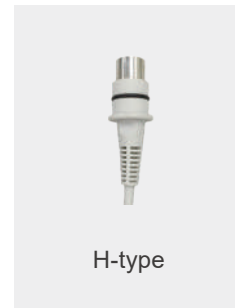
Compatibility

Product	Model	HS12-M spec
Control box	MD6C-M	- With 7-pin MOTECK H-type or V-type DIN plug
	CB5P-M, CM41-M	- With 7-pin MOTECK V-type DIN plug
Accessory	JB1, JB3 Junction box SB1 Stop button	- With 7-pin MOTECK H-type DIN plug

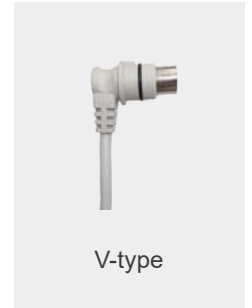
Cable plug



7-pin DIN plug

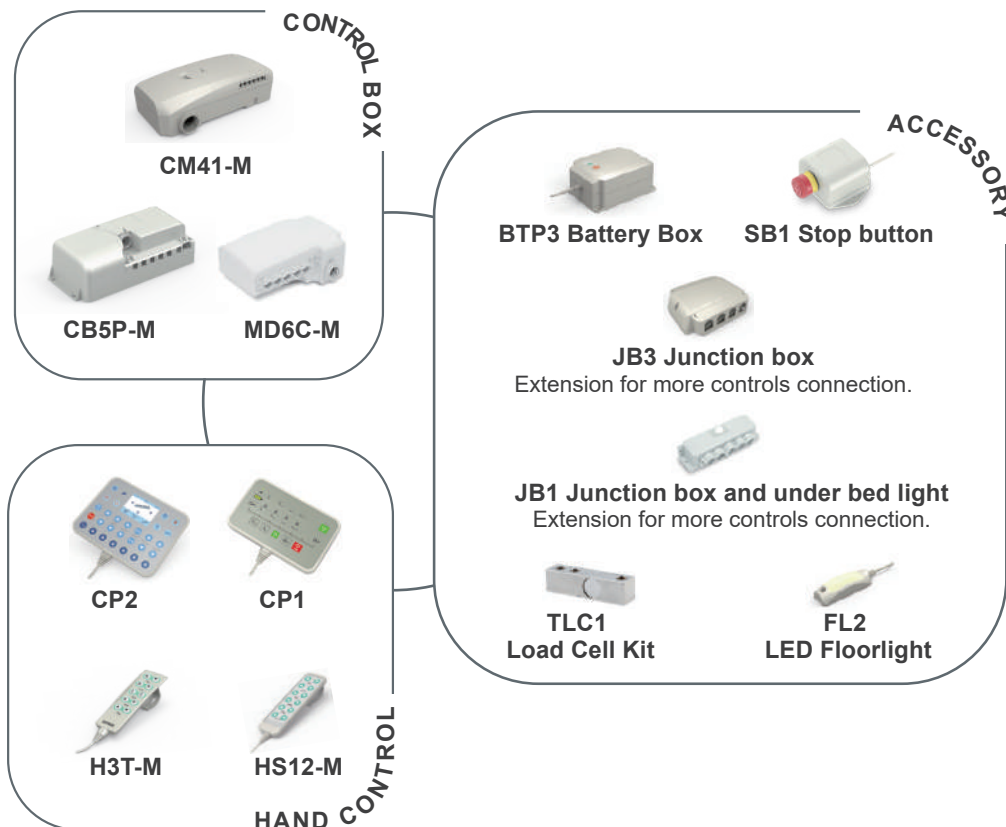


H-type



V-type

• Moteck Bus family



Ordering Key

HS12-M- 12 - 5 - 0 F 0 0 1

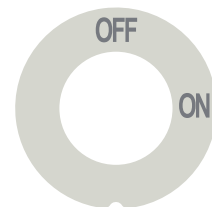
Button	06: 6 buttons 08: 8 buttons 11: 11 buttons 12: 12 buttons
Number of motor	2: 2 motors 3: 3 motors 4: 4 motors 5: 5 motors
Nurse lock	0: Without Nurse lock N: With Nurse lock
Panel artwork code	A~J: (Refer to Standard Panel Artwork)
Button backlight	0: Without backlight 1: With backlight, triggered by any button
Reserved	0
Cable length	1: 1010mm in length with 250mm spiral cable (Refer to Dimensions)

Nurse Lock



Nurse Lock :

- OFF:** Lock all functions
- ON:** Unlock all functions



Terms of Use

The user is responsible for application suitability of Moteck products. As ongoing improvement process continues, products listed on the Moteck website are subject to change without prior notice. Moteck reserves the right to terminate the sales or remove any product displayed on the website, or listed in its catalogues.