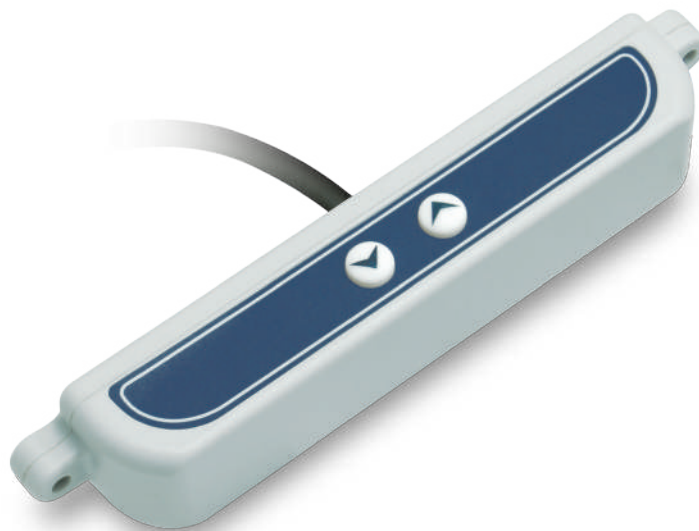


Hand Control HDU

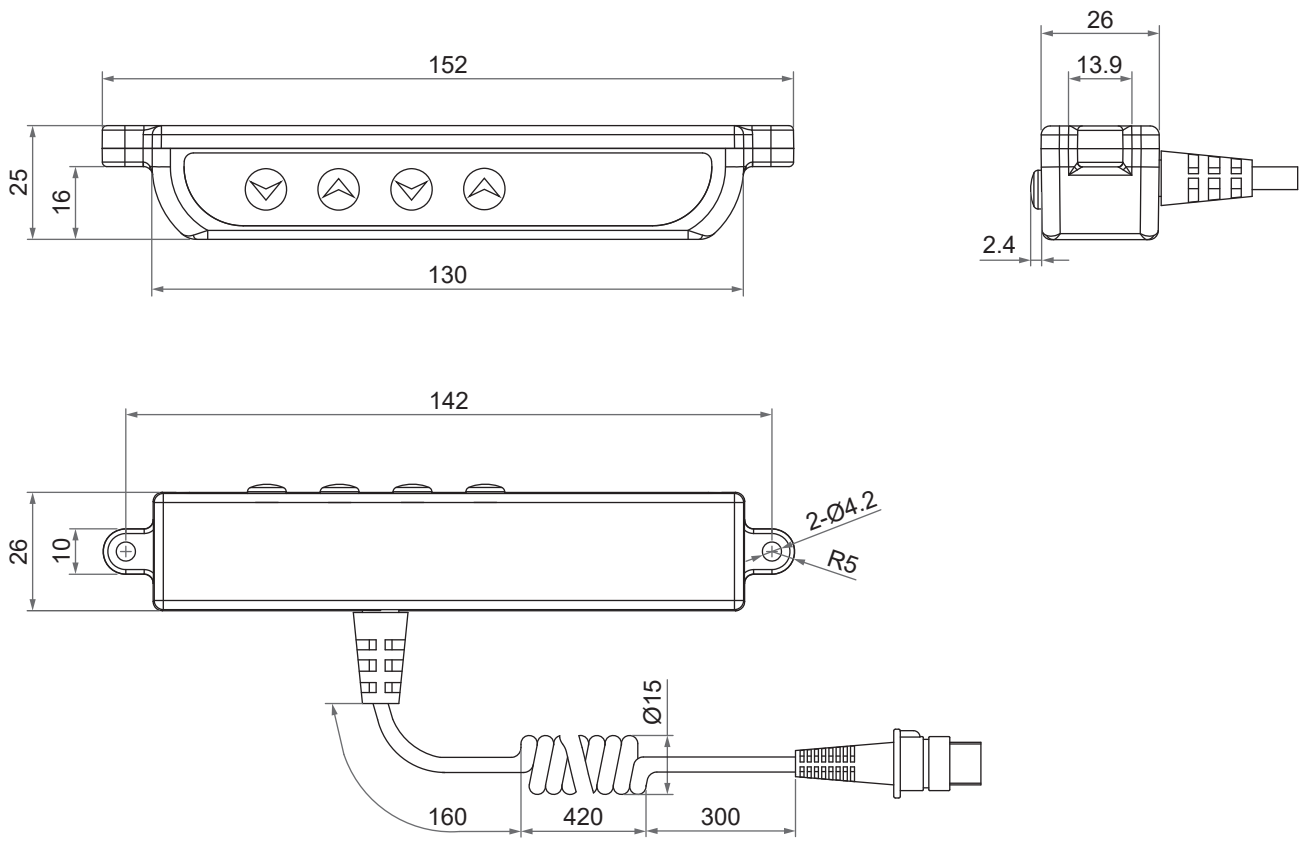
HDU hand control is specially designed for lifting desks, tables or workbenches. It has a simple appearance and control method, and it is easy to install.



Features

- Main applications: Furniture
- Max. motor number to control: 2
- Available number of buttons: 2 or 4
- Color: Light grey (RAL 7035)
- Cable length: Total 880mm long with 420mm spiral

Dimensions




Unit: mm

Standard Panel Artwork


Motek control category P1 without position memory function

Panel artwork:

- Definition 1 (artwork A)

Code	A
Artwork	 HDU-02-1-00

- Definition 2 (artwork B)

Code	B
Artwork	 HDU-04-2-00

Button definition:

- Definition 1 (artwork A)



- ① Actuator #1 retracts
- ② Actuator #1 extends

- Definition 2 (artwork B)



- ① Actuator #1 retracts
- ② Actuator #1 extends
- ③ Actuator #2 retracts
- ④ Actuator #2 extends

Compatibility

Product	Compatible models	Compatible requirement
Control box	T-control, CBT2, CB3T, CS1	<ul style="list-style-type: none"> Moteck control category P1 without position memory function With Moteck F-type DIN plug
	CF11H	<ul style="list-style-type: none"> Moteck control category P1 without position memory function With Moteck E2-type RJ plug

Cable plug:



F-type plug



E2-type plug

Ordering Key

HDU - 02 - 1 - 00 - 0 A 0

Button	02: 2 buttons 04: 4 buttons
Number of motor	1: 1 motor 2: 2 motors
Function	00: Standard
Reserved	0
Panel artwork code	A ~ B: Refer to Standard Panel Artwork
Reserved	0