

# Handset

## H3T-M

H3T-M works with Moteck's proprietary Bus communication protocol, a flexible, software-based platform developed to enable customers to choose the desired button functions, according to various application, with the very same handset.



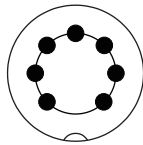
### Features and Option

---

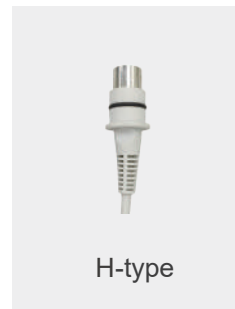
- Main applications: Medical
- Available number of buttons: 10 max.
- IP protection level: IPX4
- Housing appearance & color: textured light gray RAL 7035
- Handset with hook for easy placement
- Cable type and length: total 880 mm long with 420 mm spiral cable
- Optional larger gap hook (50 mm)

# Compatibility

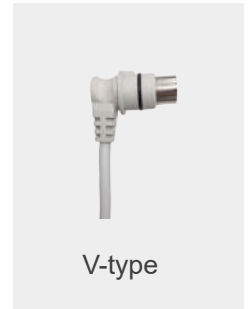
Product	Model	Compatible requirement
Control box	MD6C-M	- Moteck H-type or V-type 7-pin DIN plug
	CB5P-M, CM41-M	- Moteck V-type 7-pin DIN plug
Accessory	JB1, JB3 Junction Box, SB1 Stop Button	- Moteck H-type 7-pin DIN plug



7-pin DIN plug

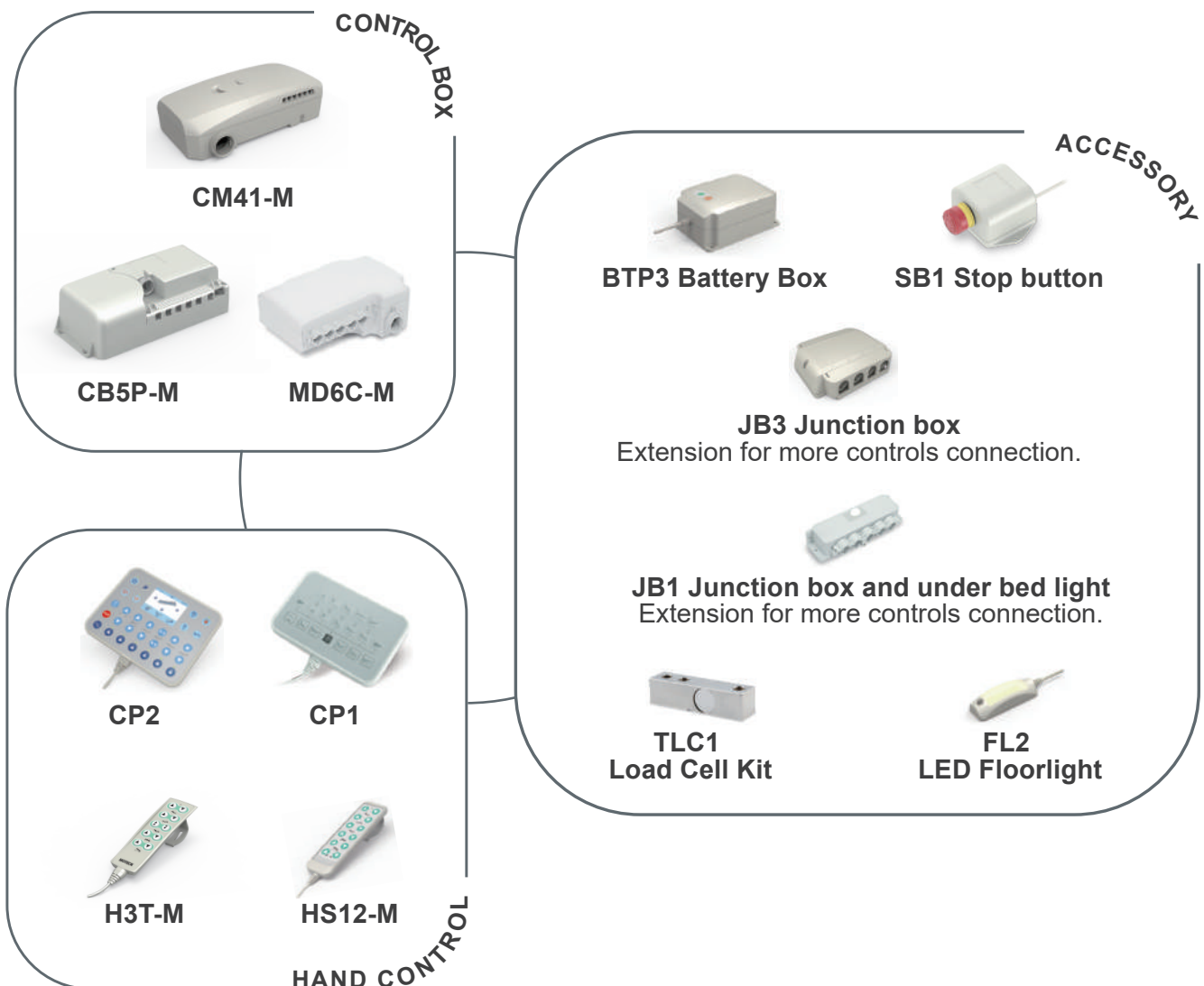


H-type



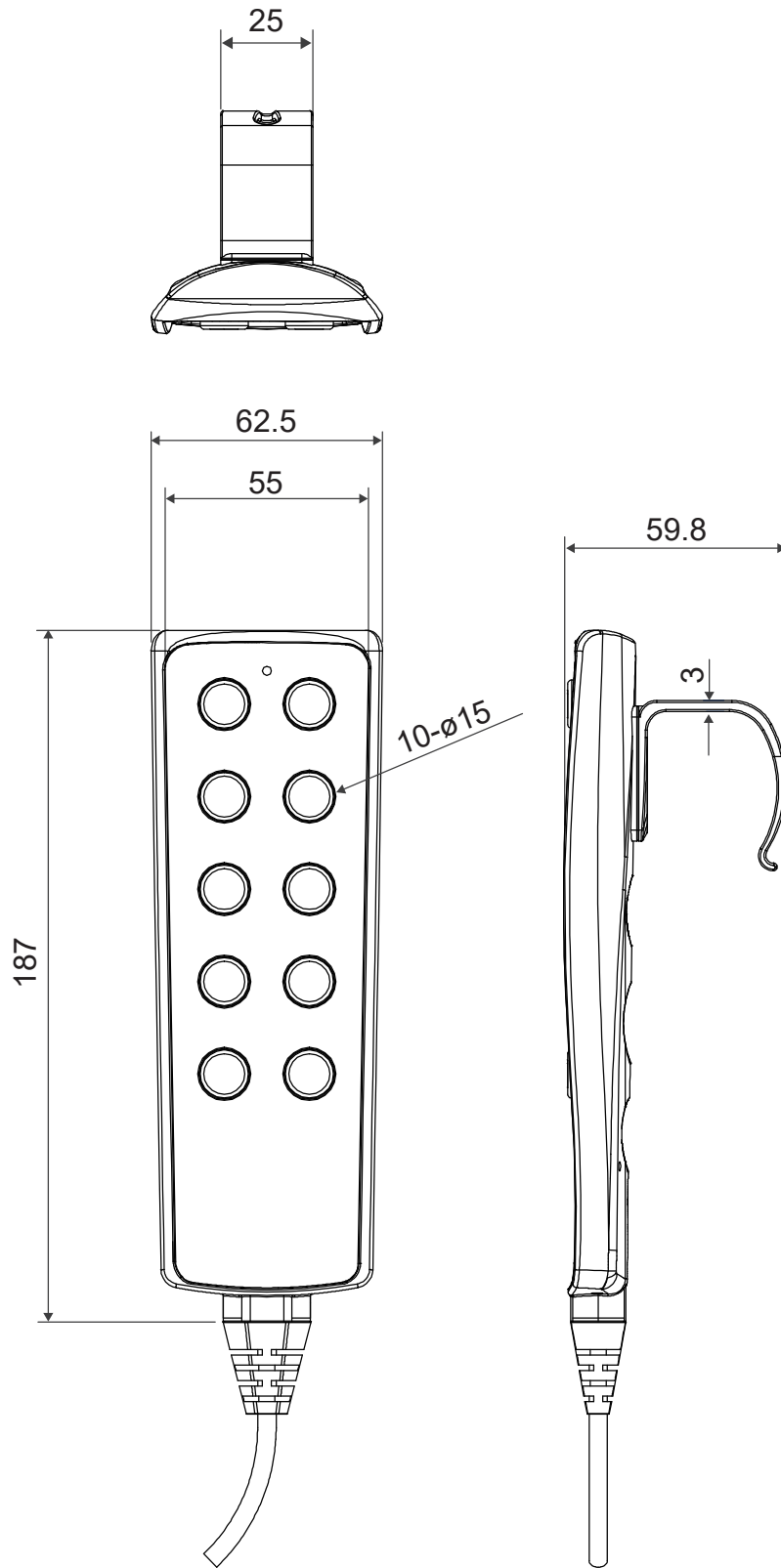
V-type

## Moteck Bus Family



# Dimensions

---



# Standard Panel Artwork

Code	A		B		C		D	
<b>Motor</b>	2 drives		2 drives		3 drives		3 drives	
<b>Button definition</b>	1+	1-	1+	1-	1+	1-	1+	1-
	2+	2-	2+	2-	2+	2-	2+	2-
	1+2+	1-2-	1+2+	1-2-	1+2+	1-2-	1+2+	1-2-
					3+	3-	3+	3-
<b>Artwork</b>								

Code	E		F		G		H	
<b>Motor</b>	4 drives		4 drives		4 drives		4 drives	
<b>Button definition</b>	1+	1-	1+	1-	1+	1-	1+	1-
	2+	2-	2+	2-	2+	2-	2+	2-
	1+2+	1-2-	1+2+	1-2-	1+2+	1-2-	1+2+	1-2-
	3+4+	3-4-	3+4+	3-4-	3+4+	3-4-	3+4+	3-4-
					3+4-	3-4+	3+4-	3-4+
<b>Artwork</b>								

## Ordering Key

**H3T-M - 08 - 3 E V - 0 0**

<b>Button</b>	<b>06:</b> 6 buttons <b>08:</b> 8 buttons <b>10:</b> 10 buttons
<b>Hook</b>	<b>3:</b> Standard hook (30 mm) <b>5:</b> Larger gap hook (50 mm)
<b>Panel artwork code</b>	(Refer to paragraph of Standard Panel Artwork)
<b>Cable plug</b>	<b>V:</b> MOTECK V type DIN plug <b>H:</b> MOTECK H type DIN plug
<b>Reserved</b>	<b>0</b>
<b>Reserved</b>	<b>0</b>

### Terms of Use

The user is responsible for the suitability of MOTECK products, and the products listed on the MOTECK website are subject to change without notice. MOTECK reserves the right to terminate sales or delete any products displayed on the website or listed in its catalog.