

Hand Control H3N

H3N is designed for home care and furniture applications. With backlight and LED torch function, it is easy to use in the dark.



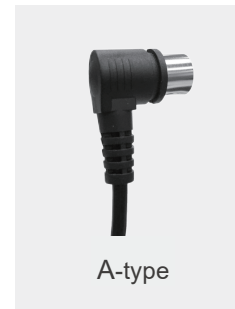
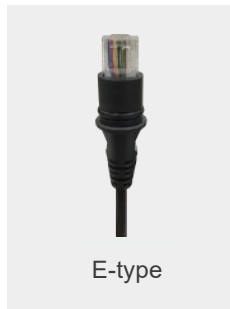
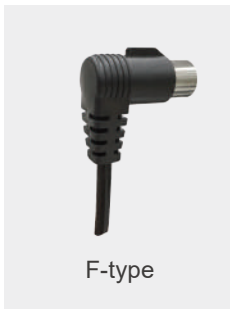
Features and Options

- Main applications: Furniture
- Available actuator number to control: 2 max.
- Available number of buttons: 10 max.
- Supports position memory function
- Button material: Silicone rubber
- Housing appearance & color: Textured black
- LED power on indicator
- Button backlight: Green
- LED torch: Blue
- Cable length: Total 1850mm long with 500mm spiral
- Optional hand control with hook or holder with hook
- Optional Housing appearance & color: Matt black painting

Compatibility

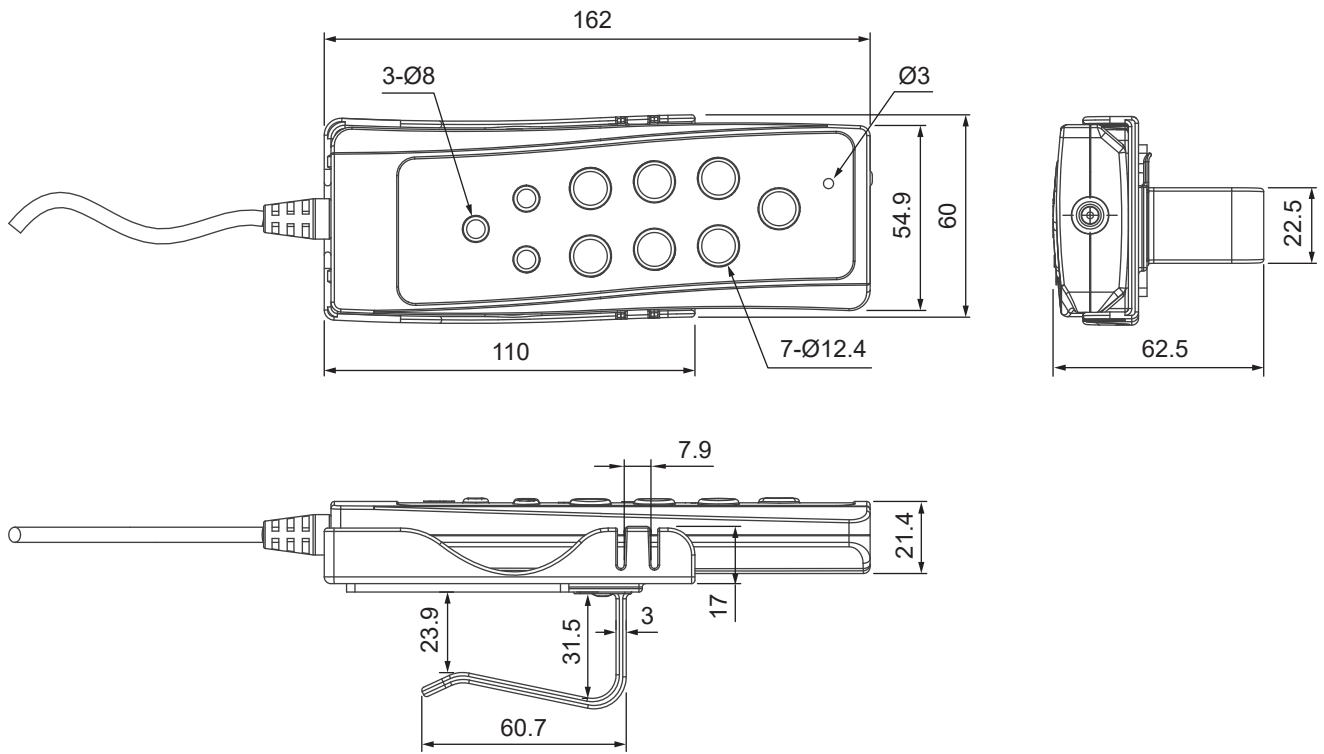
Product	Compatible models	Compatible requirement
Control box	CB3T, CB4M, CS1, CS2	- Moteck control category P1 without position memory function - With Moteck F-type DIN plug
	CF12H	- Moteck control category P1 without position memory function - With Moteck E-type RJ plug
Double motor	TW41/TW61	- Moteck control category P1 without position memory function - With Moteck A-type DIN plug
		- Moteck control category S1 support position memory function - With Moteck A-type DIN plug

Cable plug



Dimensions

Unit: mm



Standard Panel Artwork

> Moteck control category P1 without position memory function

▶ Definition 1 (Artwork A, B, C, G, H, I)

Code	A	B	C	G	H	I
Artwork						

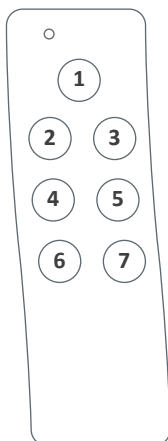
> Moteck control category S1 support position memory function

▶ Definition 2 (Artwork D, E, F, J, K, L)

Code	D	E	F	J	K	L
Artwork						

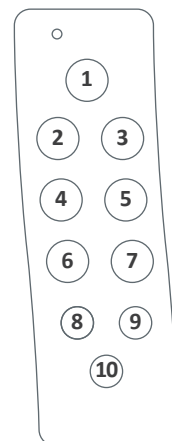
- Definition 1 (Artwork A, B, C, G, H, I)

- ① LED torch
- ② Actuator #1 extends
- ③ Actuator #1 retracts
- ④ Actuator #1 & 2 extend
- ⑤ Actuator #1 & 2 retract
- ⑥ Actuator #2 extends
- ⑦ Actuator #2 retracts



- Definition 2 (Artwork D, E, F, J, K, L)

- ① LED torch
- ② Actuator #1 extends
- ③ Actuator #1 retracts
- ④ Actuator #1 & 2 extend
- ⑤ Actuator #1 & 2 retract
- ⑥ Actuator #2 extends
- ⑦ Actuator #2 retracts
- ⑧ Memory position 1
- ⑨ Memory position 2
- ⑩ Memory Set



Remarks:

* When releasing the button, actuator stops and LED indicator turns off immediately.

Ordering Key

H3N - 10 - 2 - 0 F 0 0 1

Number of button	03: 3 buttons 05: 5 buttons 06: 6 buttons 07: 7 buttons 08: 8 buttons 10: 10 buttons
Number of motor	1: 1 motor 2: 2 motors
Reserved	0
Panel artwork code	A ~ L: (Refer to Standard Panel Artwork)
Accessory	0: Holder without hook 1: Holder with hook (30mm) (standard) 2: Holder with hook (50mm)
Reserved	0
Cable length	1: Total 1850mm in length with 500mm spiral

Terms of Use

The user is responsible for application suitability of Moteck products. As ongoing improvement process continues, products listed on the Moteck website are subject to change without prior notice. Moteck reserves the right to terminate the sales or remove any product displayed on the website, or listed in its catalogues.