

Handset H2T

H2T is designed for patient lift, stand up lifter and other homecare applications. The complete veneer design possesses the water resistance and dustproof abilities, and the arc shape makes it easy to hold. There are several LED indicators to show the control box battery status, overload alarm and main actuator lifetime, reminding users to charge the battery and to maintain the actuator.

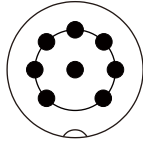


Features

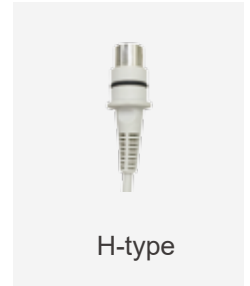
- Main applications: Medical Care
- Available number of buttons: 5 max.
- IP protection level: IPX6
- Color: Light gray (RAL 7035)
- With hook for easy placement
- Cable type and length: total 880 mm long with 420 mm spiral cable
- LED indicator for battery condition, service reminder, or overload alarm

Compatibility

Product	Model	Compatible requirement
Control box	CBP3, CM42, CM43	- Moteck S3 control category - Moteck H-type 8-pin DIN plug



8-pin DIN plug



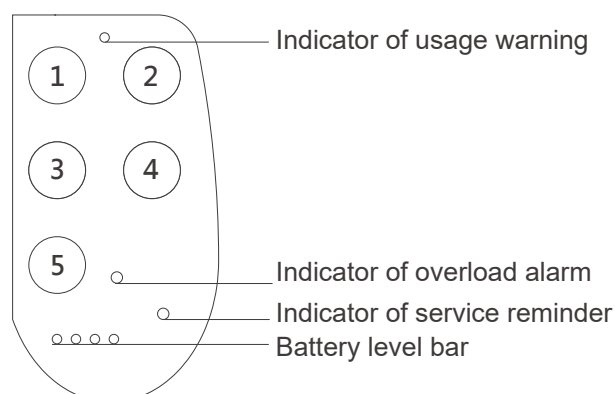
H-type

Standard Panel Artwork

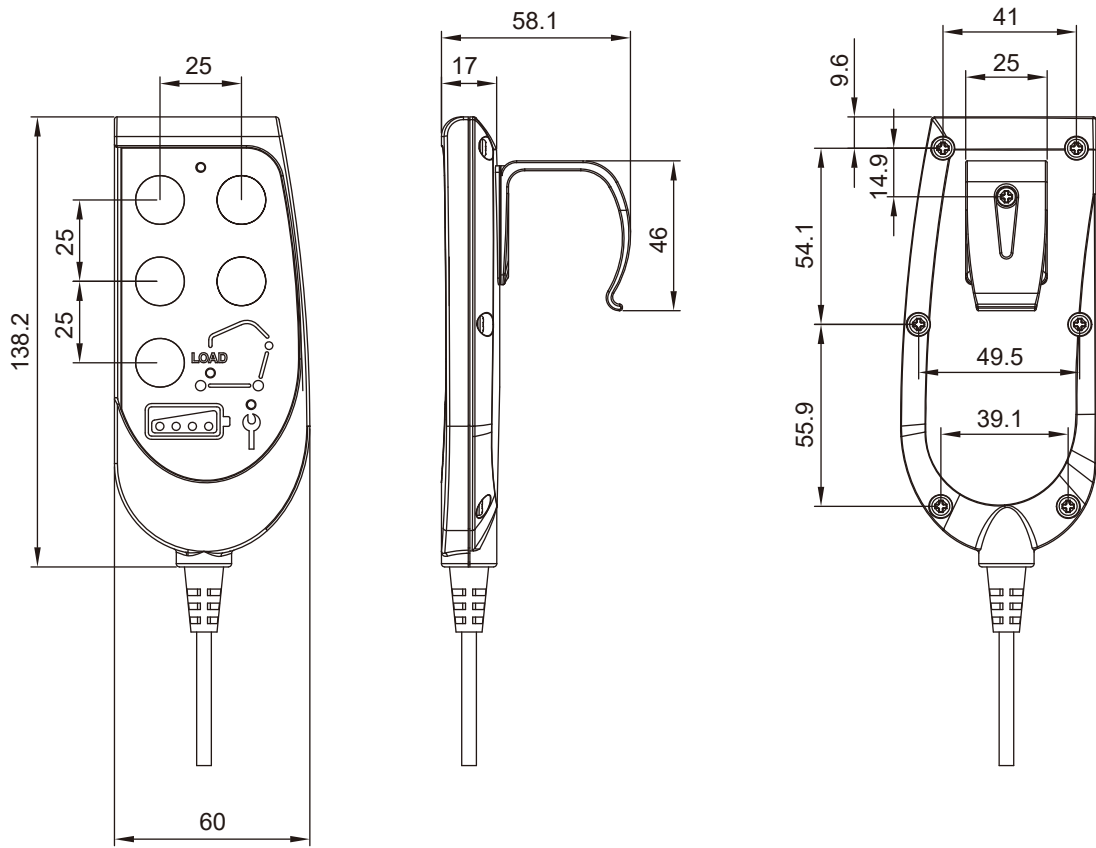
Code	A	B	C
Artwork			

*Button definition:

- ① actuator #1 extends
- ② actuator #1 retracts
- ③ actuator #2 retracts
- ④ actuator #2 extends
- ⑤ SET button



Dimensions



Ordering Key

H2T - 05 - S - S0 - 00 - 0 C 0

Button	02: 2 buttons 04: 4 buttons 05: 5 buttons (with SET button)
Number of motor	1: 1 motor 2: 2 motors S: 2 motors (for Setting Mode only)
Function version	00: Standard S0: Setting Mode (5 buttons only)
Safety key	00: None SK: with Safety Key
Color	0: Light gray RAL 7035
Panel artwork code	A, B, C (Refer to Standard Panel Artwork)
Reserved	0

Terms of Use

The user is responsible for application suitability of Moteck products. As ongoing improvement process continues, products listed on the Moteck website are subject to change without prior notice. Moteck reserves the right to terminate the sales or remove any product displayed on the website, or listed in its catalogues.