

Hand Control H2N

H2N is specially designed for furniture applications. There is an option of LED torch function to give users convenience in the dark.



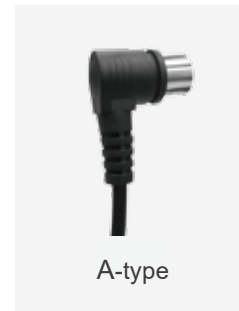
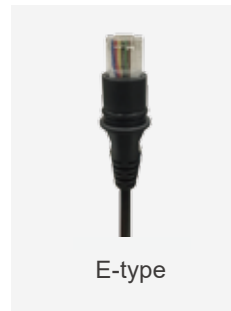
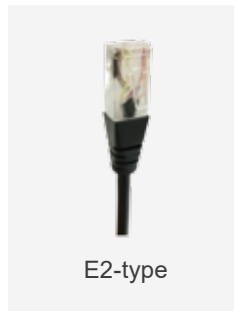
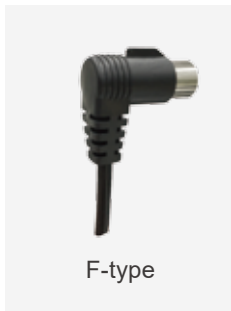
Features and Options

- Main applications: Furniture
- Available number of buttons: 9 max.
- Button material: Silicone rubber
- Color: Black
- Cable length: Total 880mm long with 420mm spiral
- Optional LED torch (white light)
- Optional hand control with hook or holder with hook
- Optional 30mm or 50mm hook

Compatibility

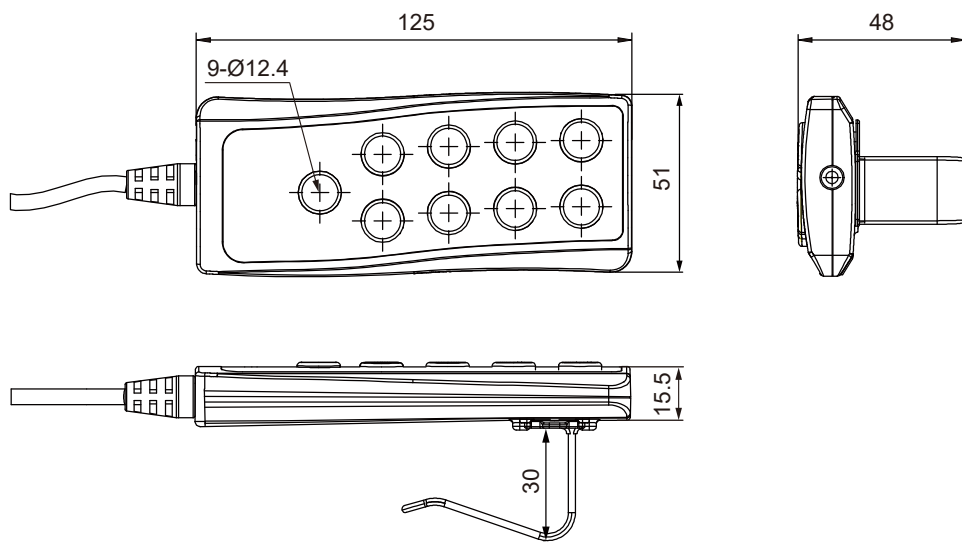
| Product | Compatible models | Compatible requirement |
|---------------------|---------------------------------------|---|
| Control box | T control, CB3T, CB4M, CBT2, CS1, CS2 | - Moteck control category P1 - With Moteck F-type DIN plug |
| | CF11H | - Moteck control category P1 - With Moteck E2-type RJ plug |
| | CF12H | - Moteck control category P1 - With Moteck E-type RJ plug |
| Double motor | TW41/TW61 | - Moteck control category P1 - With Moteck A-type DIN plug |

Cable plug

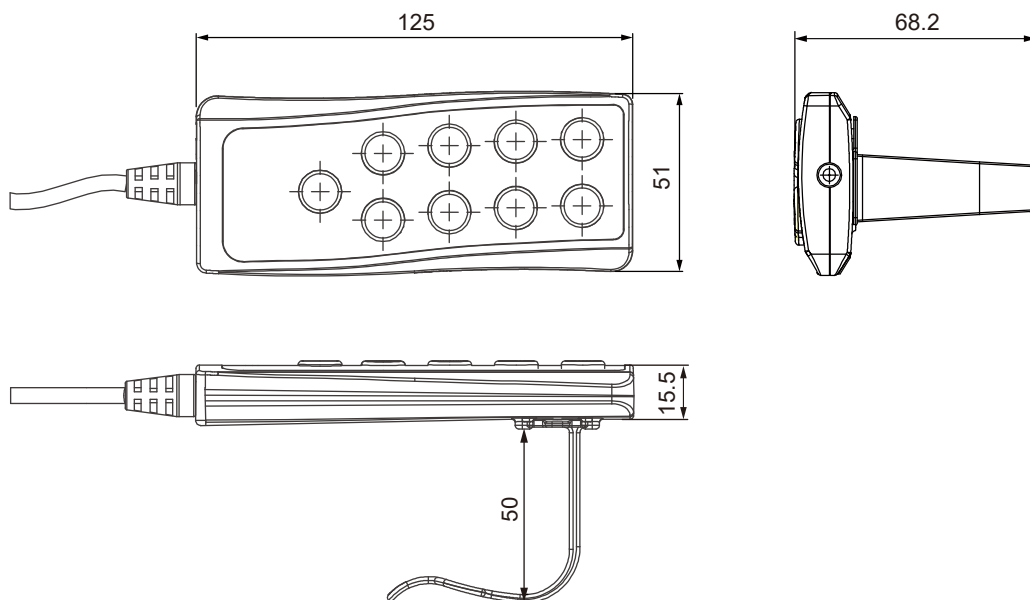


Dimensions

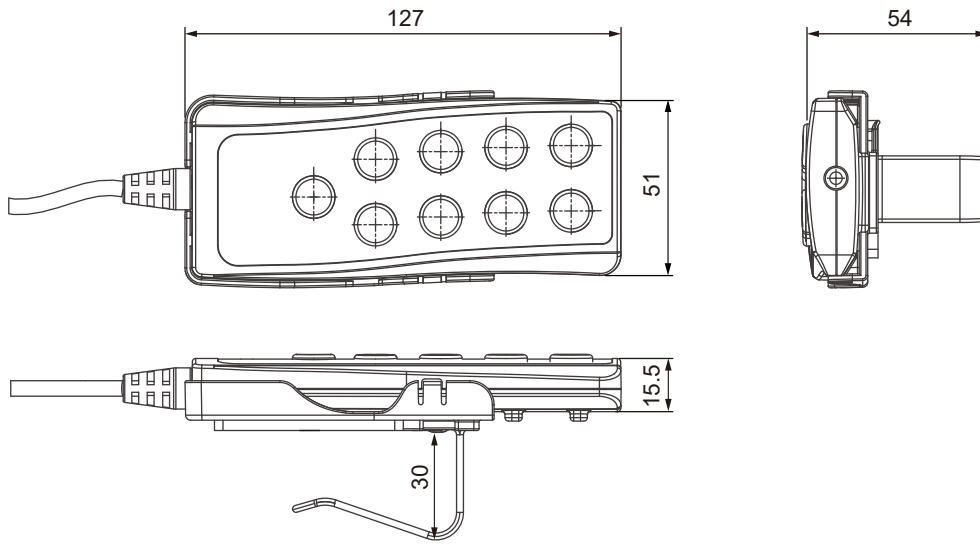
- Hook (30mm)



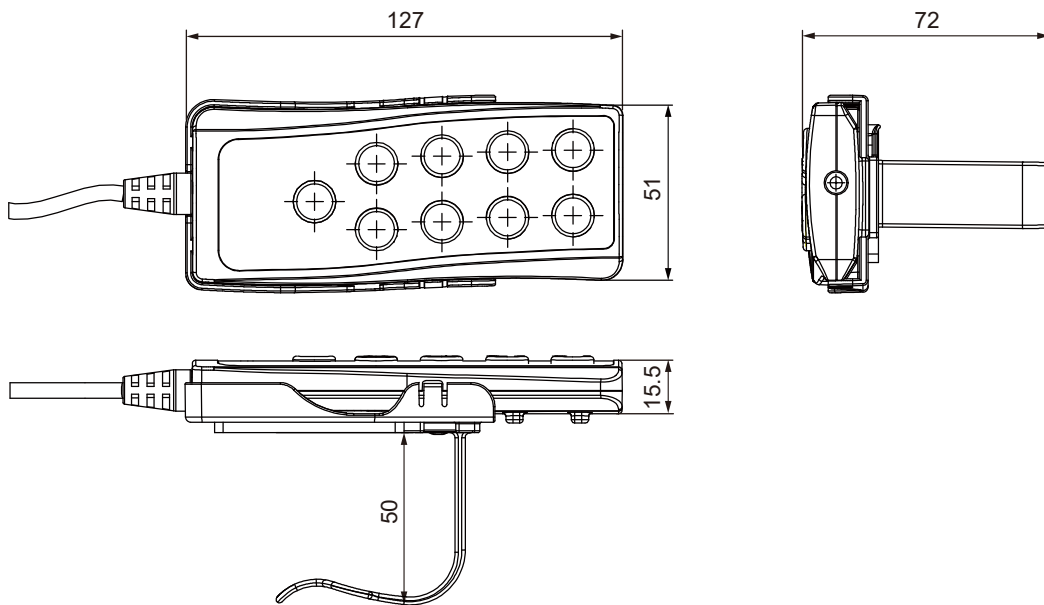
- Hook (50mm)



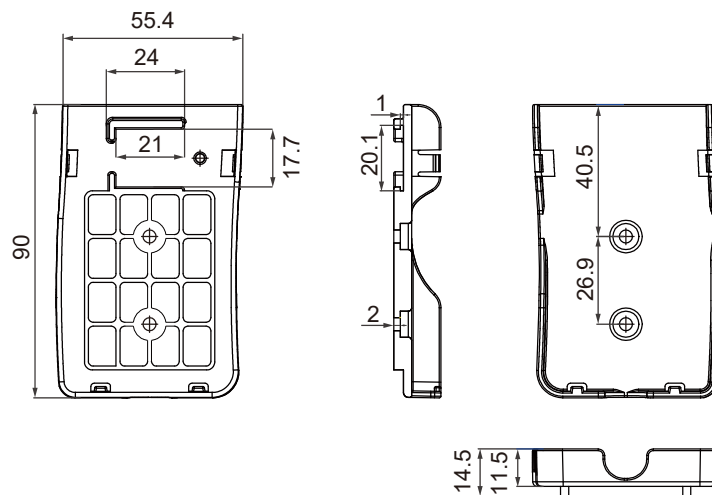
- Holder with hook (30mm)



- Holder with hook (50mm)



- Holder



Standard Panel Artwork

> Moteck control category P1

▶ Definition 1 (Artwork A, E, G, K)

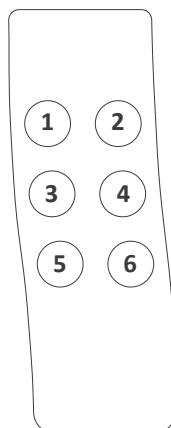
| Code | A | E | G | K |
|---------|---|---|---|---|
| Artwork | | | | |

▶ Definition 2 (Artwork B, H)

| Code | B | H |
|---------|---|---|
| Artwork | | |

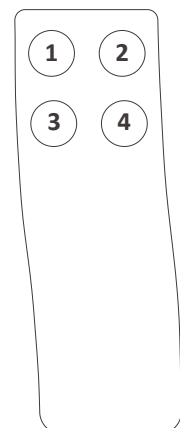
- Definition 1 (Artwork A, E, G, K)

- ① Actuator #1 extends
- ② Actuator #1 retracts
- ③ Actuator #2 extends
- ④ Actuator #2 retracts
- ⑤ Actuator #3 extends
- ⑥ Actuator #3 retracts

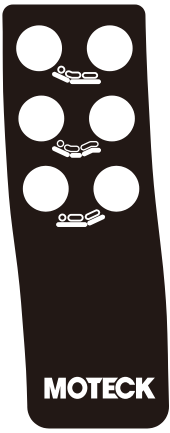
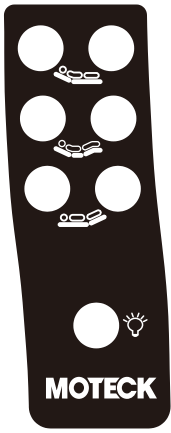
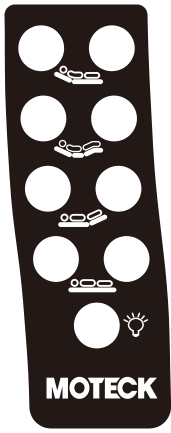
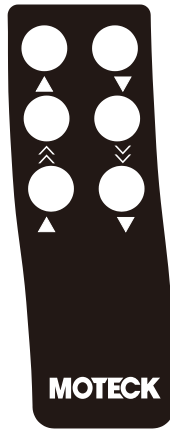
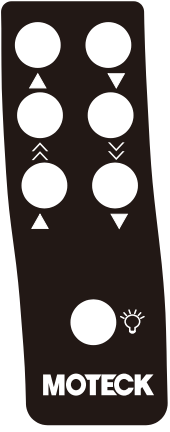
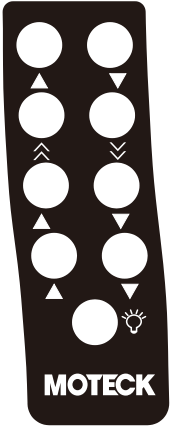


- Definition 2 (Artwork B, H)

- ① Actuator #1 extends
- ② Actuator #1 retracts
- ③ Actuator #2 extends
- ④ Actuator #2 retracts

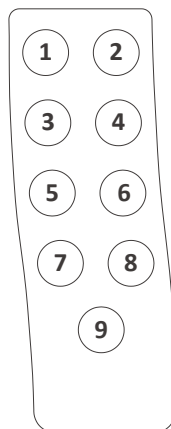


► Definition 3 (Artwork C, D, F, I, J, L)

| Code | C | D | F | I |
|---------|--|--|---|--|
| |  |  |  |  |
| Artwork | J | L | | |
| |  |  | | |

- Definition 3 (Artwork C, D, F, I, J, L)

- ① Actuator #1 extends
- ② Actuator #1 retracts
- ③ Actuator #1 & 2 extend
- ④ Actuator #1 & 2 retract
- ⑤ Actuator #2 extends
- ⑥ Actuator #2 retracts
- ⑦ Actuator #3 extends
- ⑧ Actuator #3 retracts
- ⑨ LED torch



Ordering Key

H2N - 09 - 3 - 01 - H3H - 0 F 0

| | |
|---------------------------|--|
| Button | 02: 2 buttons 04: 4 buttons 06: 6 buttons 07: 7 buttons 09: 9 buttons |
| Number of motor | 1: 1 motor 2: 2 motors 3: 3 motors |
| Function | 00: Standard 01: Joint movement |
| Accessory | H0H: Holder without hook H3H: Holder with hook (30mm) (standard) H5H: Holder with hook (50mm) H30: Hook (30mm) H50: Hook (50mm) |
| Reserved | 0 |
| Panel artwork code | A ~ L: Refer to Standard Panel Artwork |
| Reserved | 0 |

Terms of Use

The user is responsible for application suitability of Moteck products. As ongoing improvement process continues, products listed on the Moteck website are subject to change without prior notice. Moteck reserves the right to terminate the sales or remove any product displayed on the website, or listed in its catalogues.