

Foot Control FS1

FS1 Foot Control operates 1 actuator by foot, built-in metal base to increase the stability of pedaling, and EVA foam to make pedaling more comfortable. It is suitable for use in medical care equipment.



Features and Option

Main applications: Medical

Standard features:

- Number of buttons: 2
- Built-in metal base and EVA foam
- IP level: IP54
- Color: Light gray (RAL 7035)
- Cable length: Total 880mm long with 420mm spiral cable
- Certified: CE Marking, EN 60601-1-2, IEC 61000-4-2, IEC 61000-4-3, IEC 61000-4-8

Option

- Color: Black

Compatibility

Product	Model	Compatible requirement
Control box	CB2P	- Moteck P1 control category - Moteck H-type or V-type DIN plug
	T-control, CS1	- Moteck P1 control category - Moteck F-type DIN plug
	CM45	- Moteck P1 control category - Moteck H-type DIN plug

Cable plug



V-type



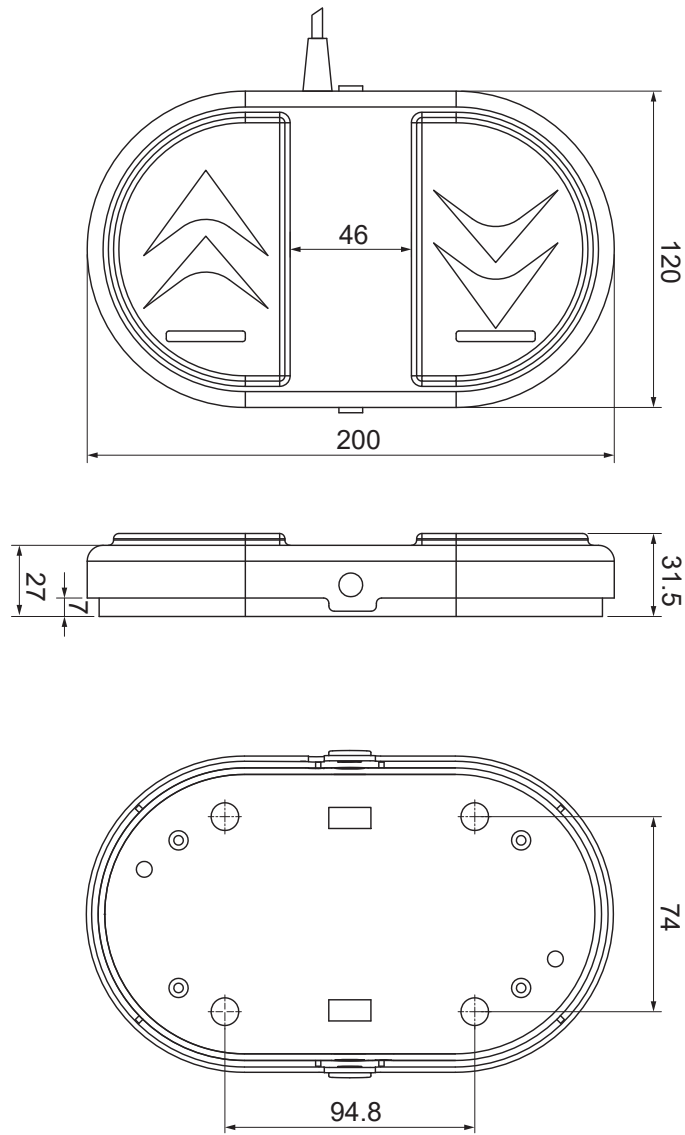
H-type



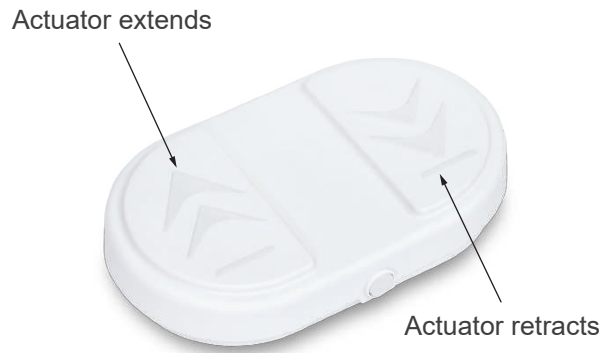
F-type

Dimensions

Unit: mm



Button Definition



Ordering Key

FS1 - 0 - 0 H

Color	0: Light gray (RAL 7035) (standard) 1: Balck
Cable length	0: Total 880mm long with 420mm spiral 1: Straight 2000mm 2: Straight 750mm
Cable plug	V: V-type DIN plug H: H-type DIN plug F: F-type DIN plug

Terms of Use

The user is responsible for the suitability of MOTECK products, and the products listed on the MOTECK website are subject to change without notice. MOTECK reserves the right to terminate sales or delete any products displayed on the website or listed in its catalog.