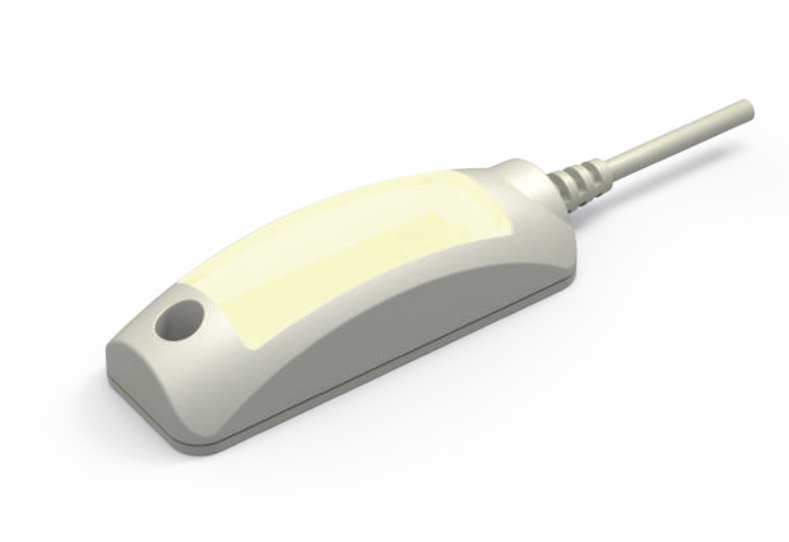


Floorlight FL2

FL2 floor light is designed for medical or home care bed, which can be installed under the bed providing necessary lighting during night time or in the dark. It has to be connected with JB3 junction box, and operated via hand controls or attendant panels.

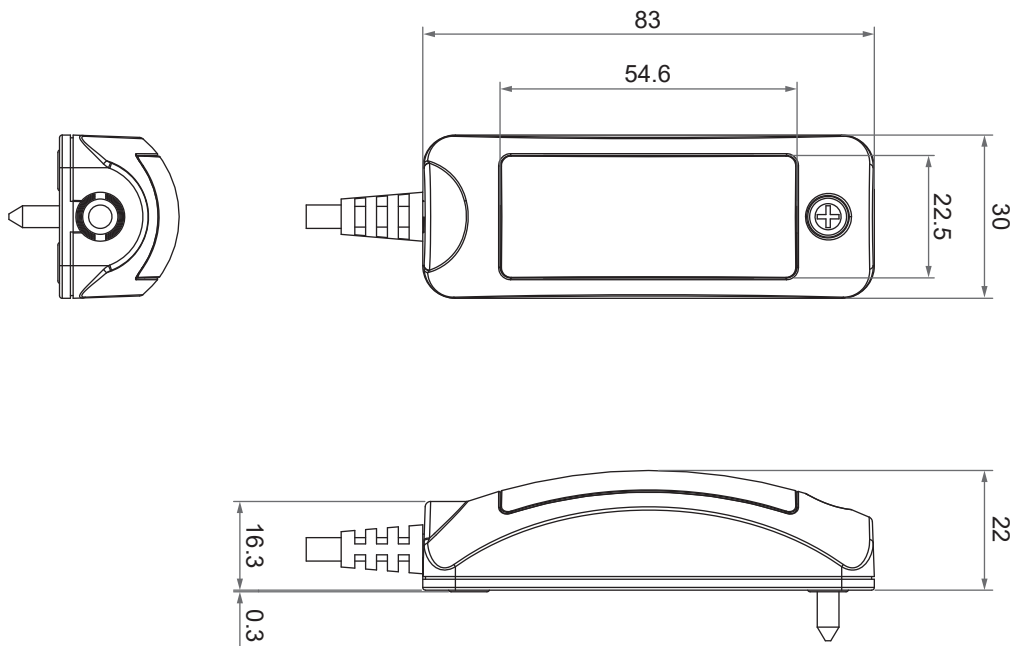


Features

- Main application: Medical, home care
- Input voltage: 5V DC
- IP Production level: IPX6
- Color: Light grey RAL 7035
- Cable length: 1000mm
- LED neutral white

Dimensions

Unit: mm



Compatibility

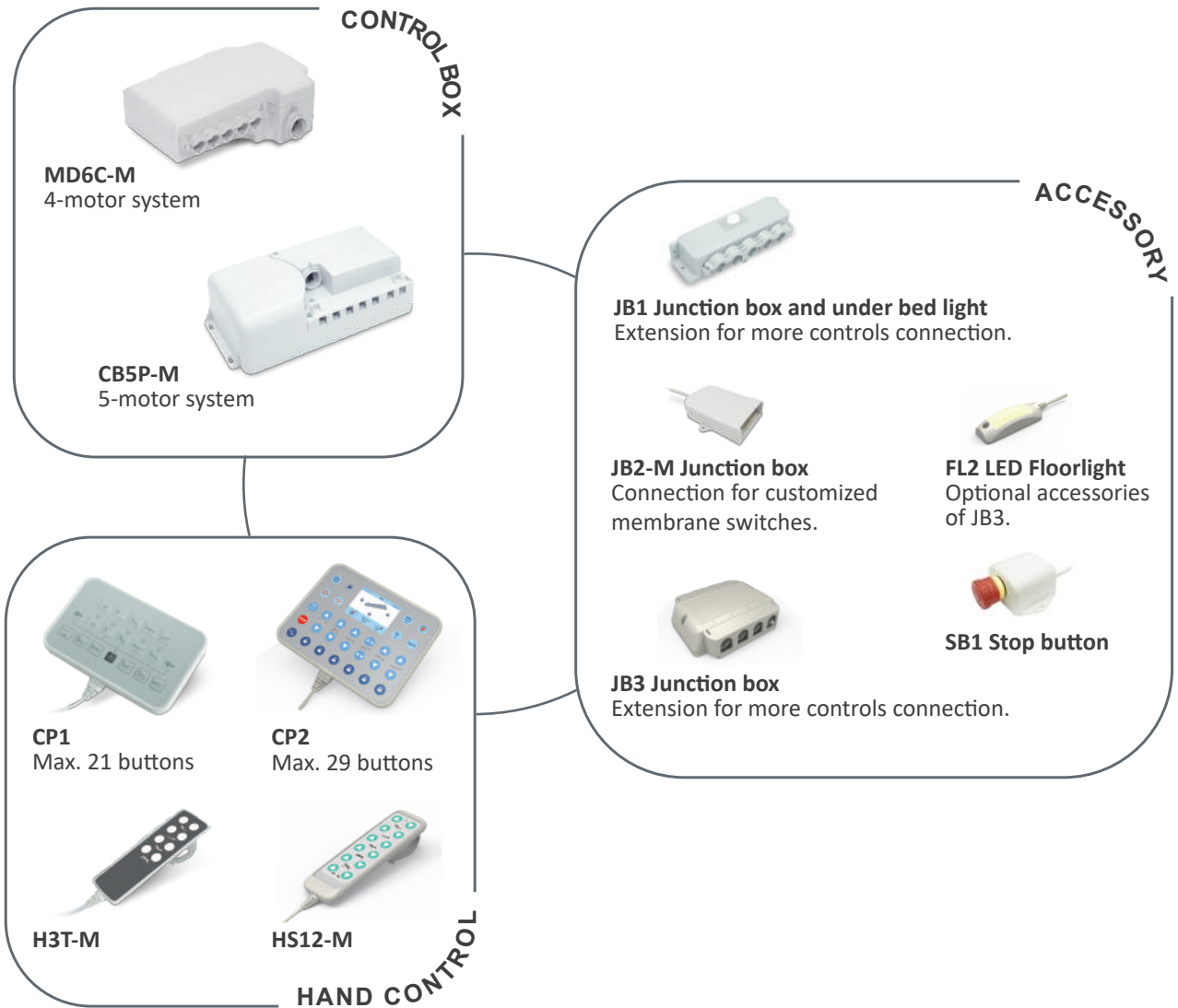
Product	Model	FL2 spec
Junction box	JB3	With 2-pin Moteck H-type DIN 41529 plug (Fig. 1)

Cable plug



Fig. 1 H-type DIN 41529 plug

MoBus™ family



Terms of Use

The user is responsible for application suitability of Moteck products. As ongoing improvement process continues, products listed on the Moteck website are subject to change without prior notice. Moteck reserves the right to terminate the sales or remove any product displayed on the website, or listed in its catalogues.