

Power Supply

DPB-58-2920-C8

DPB-58-2920-C8 (formerly TSW2) is an external power adapter with an output of 29V DC/2A. The AC input end of this product is 2pin, which adopts IEC60320 C8 type socket, and the AC wire can be replaced. It also supports the emergency lowering function, there is a batteries compartment for users to retract actuators with 9V batteries while power outage.



Features

Main applications: Furniture

Input:

- Input voltage: 100V AC~240V AC 60/50Hz
- Standby power consumption: <0.5W @ no load

Output:

- Output voltage: 29V DC
- Output current: 2A

Protection function:

- Input over current protection
- Output over voltage protection
- Output over current protection
- Output short circuit protection
- Over load protection

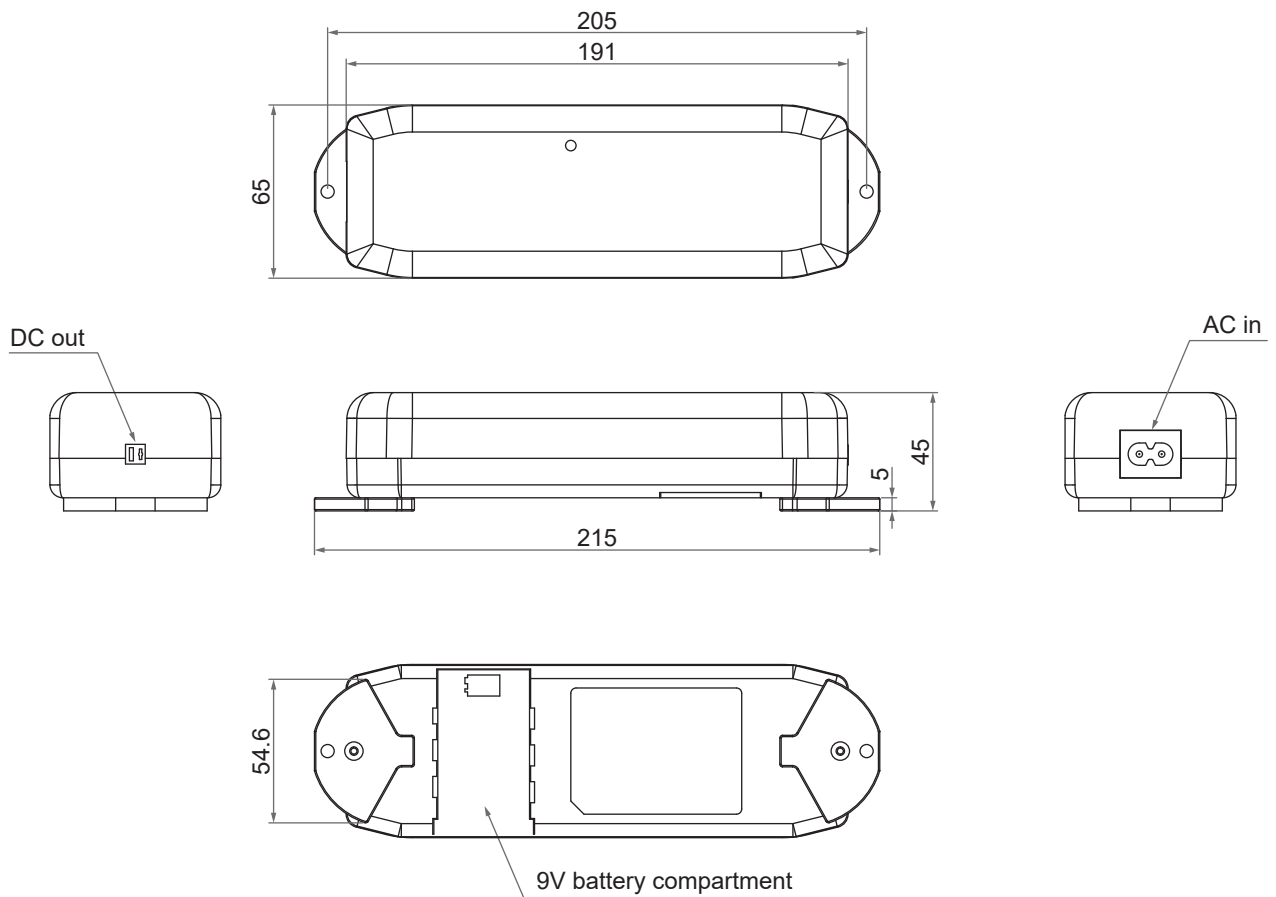
Operating environment:

- Operating ambient temperature: 0°C~+40°C
- Operating ambient humidity: 20%~90% RH
- Storage temperature: -20°C~+85°C
- Storage humidity: 20%~90% RH

Others:

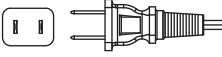
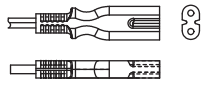
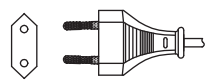
- Color: Black, light gray RAL 7035
- Electric shock protection level: Class II
- AC power cord: 2000mm/ 3000mm, US or CEE 7/16 EU AC plug
- DC out connector: DIN 41529 female socket, no cable.
- Support emergency lowering function
- Certified: EN55014-1, EN55014-2, EN61000-3-2, EN61000-3-3

Dimensions



Unit: mm

AC Power Cord

Code					
Plug type (plug in the wall)	AC power cord length				Connector type (plug in the power supply)
	Black		Light gray (RAL 7035)		
	2000mm	3000mm	2000mm	3000mm	
US 2-Pin plug 	A2B	A3B	A2G	A3G	IEC 60320 C7 type connector 
EU 2-Pin plug 	C2B	C3B	C2G	C3G	

Ordering Key

	DPB - 58 - 29 - 20 - C8 - 0 - 70 - A - 3 - B
Watts	58: 58W
Output voltage	29: 29V DC
Output current	20: 2.0A
AC inlet type	C8: Inlet 2-Pin power socket (IEC 60320 C8 type)
DC connector type	0: 2-Pin DIN 41529 female socket
Output over current protection	70: 7.0A
AC power plug	A: US 2-Pin plug C: CEE 7/16 EU 2-Pin plug
AC power cord length	2: 2000mm 3: 3000mm
Color	B: Black G: Light gray RAL 7035

Terms of Use

The user is responsible for application suitability of Moteck products. As ongoing improvement process continues, products listed on the Moteck website are subject to change without prior notice. Moteck reserves the right to terminate the sales or remove any product displayed on the website, or listed in its catalogues.