

Power Adapter

DPA-87-2930-C8

DPA-87-2930-C8 is a desktop type switching power adapter that outputs 29V DC/3A. It has low noise level and low standby power consumption.



Features

Main application: Furniture

Input:

- Input voltage: 100V AC ~ 240V AC 60/50Hz
- Standby power consumption: <0.15W @ no load

Output:

- Output voltage: 29V DC
- Output current: 3.0A

Protection function:

- Input over current protection
- Output over voltage protection
- Output over current protection
- Output short circuit protection
- Over load protection

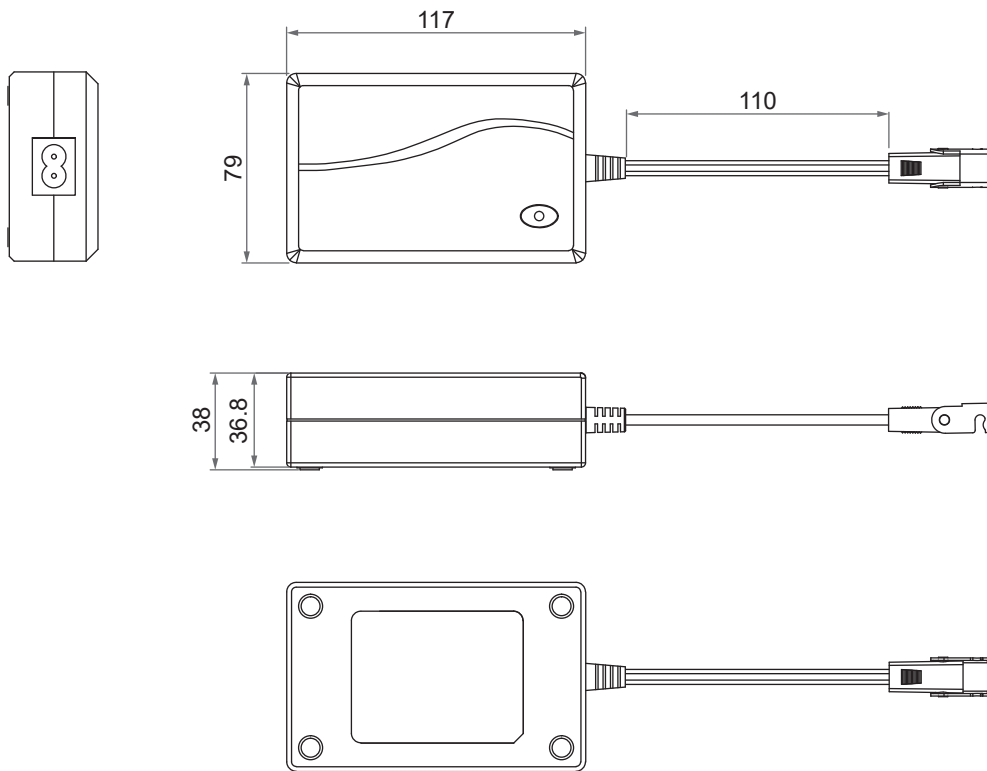
Operating environment:

- Operating ambient temperature: 0°C ~ +40°C
- Operating ambient humidity: 20% ~ 90% RH
- Storage temperature: -20°C ~ +70°C
- Storage humidity: 20% ~ 90% RH

Others:

- Color: Black
- Electric shock protection level: Class II
- AC power cord: 2000mm/ 3000mm, US or CEE 7/16 EU AC plug
- Certified: EN55014 Class B, EN61000

Dimensions



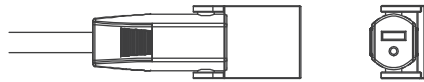
Unit: mm

Compatibility

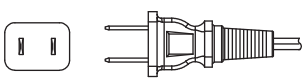
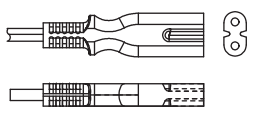
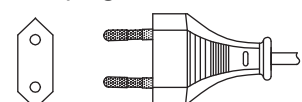
Product	Model	Compatible requirement
Control box	CF01-S, CS1, CS2, CM23	With Moteck S-type DIN 41529 plug
Actuator	BD21, BD23, BD62, FD10, FD20, FD40, MD10, MK33	With Moteck direct-cut power cable DL1 or TL1

Cable Plug

- Moteck S-type DIN 41529 female connector for DC output



- AC power cord

Plug type (plug in the wall)	Code		Connector type (plug in the power supply)
	2000mm straight	3000mm straight	
US 2-Pin plug 	A2	A3	IEC 60320 C7 type connector 
EU 2-Pin plug 	C2	C3	

Ordering Key

DPA - 87 - 29 - 30 - C8 - S - 12 - A - 3

Watts	87: 87W
Output voltage	29: 29V DC
Output current	30: 3.0A
AC inlet type	C8: Inlet 2-Pin power socket (IEC 60320 C8 type)
DC connector type	S: Moteck S-type 41529 female connector
Output over current protection	12: 12.0A
AC power plug	A: US 2-Pin plug C: CEE 7/16 EU 2-Pin plug
AC power cord length	2: 2000mm 3: 3000mm

Terms of Use

The user is responsible for application suitability of Moteck products. As ongoing improvement process continues, products listed on the Moteck website are subject to change without prior notice. Moteck reserves the right to terminate the sales or remove any product displayed on the website, or listed in its catalogues.