

# Power Adapter

## DPA-58-2920-C8

DPA-58-2920-C8 (formerly TSW1) is an external power adapter with an output of 29V DC/2A. The AC input end of this product is 2pin, which adopts IEC60320 C8 type socket, and the AC wire can be replaced.



### Features

---

#### Main applications: Furniture

#### Input:

- Input voltage: 100V AC ~ 240V AC 60/50Hz
- Standby power consumption: <0.5W @ no load

#### Output:

- Output voltage: 29V DC
- Output current: 2A

#### Protection function:

- Input over current protection
- Output over voltage protection
- Output over current protection
- Output short circuit protection
- Over load protection

#### Operating environment:

- Ambient operation temperature: 0°C ~ +40°C
- Ambient operation humidity: 20% ~ 90% RH
- Storage temperature: -20°C ~ +85°C
- Storage humidity: 20% ~ 90% RH

#### Others:

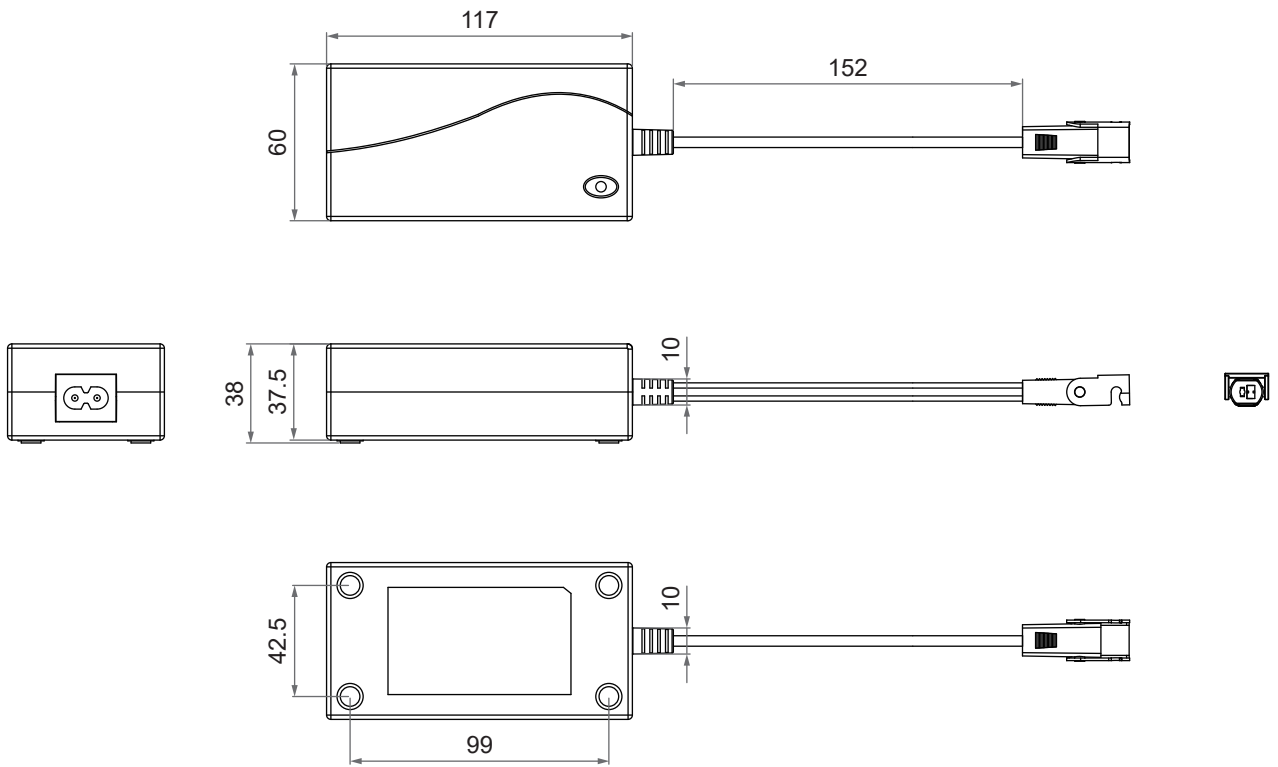
- Color: Black
- Electric shock protection level: Class II
- AC power cord: 2000mm/ 3000mm, US or CEE 7/16 EU AC plug
- Certified: EN55014-1, EN55014-2, EN61000-3-2, EN61000-3-3

#### Option:

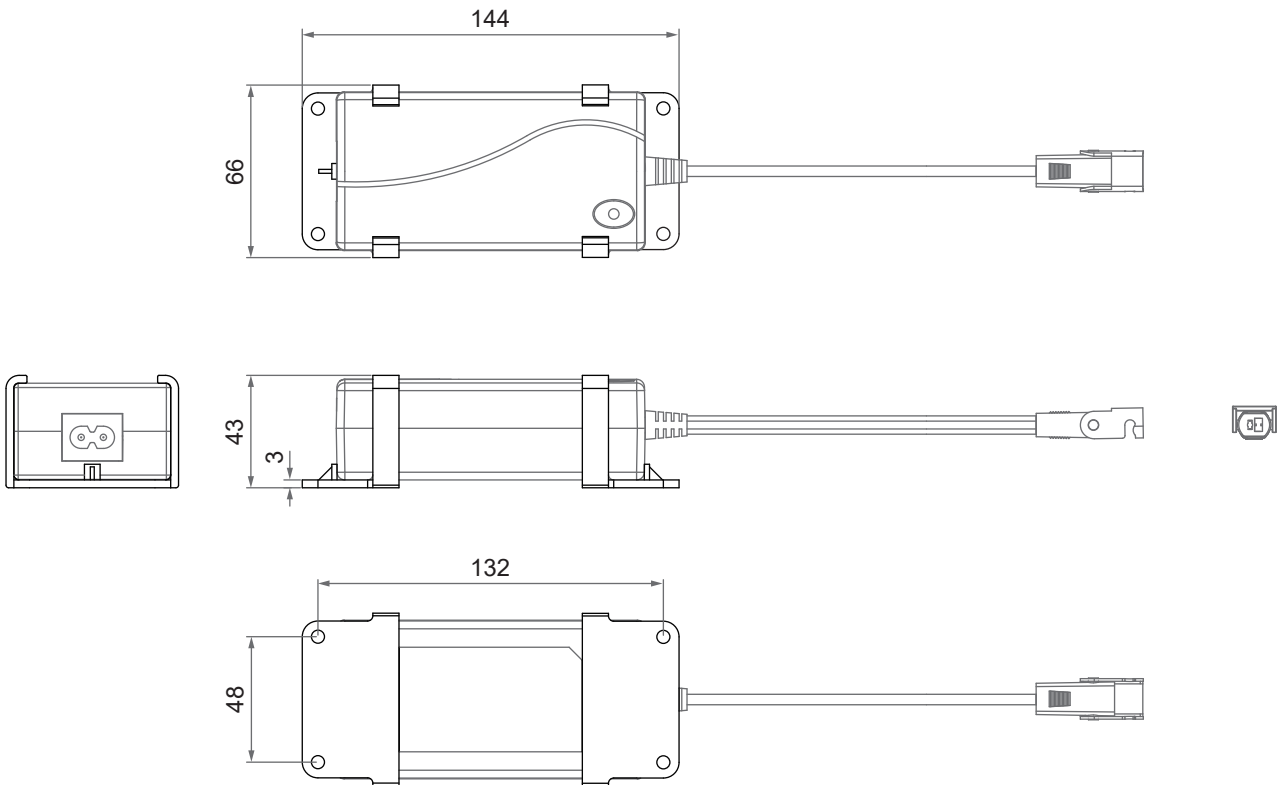
- Fixing clips
- Mounting plate

# Dimensions

## • Single unit

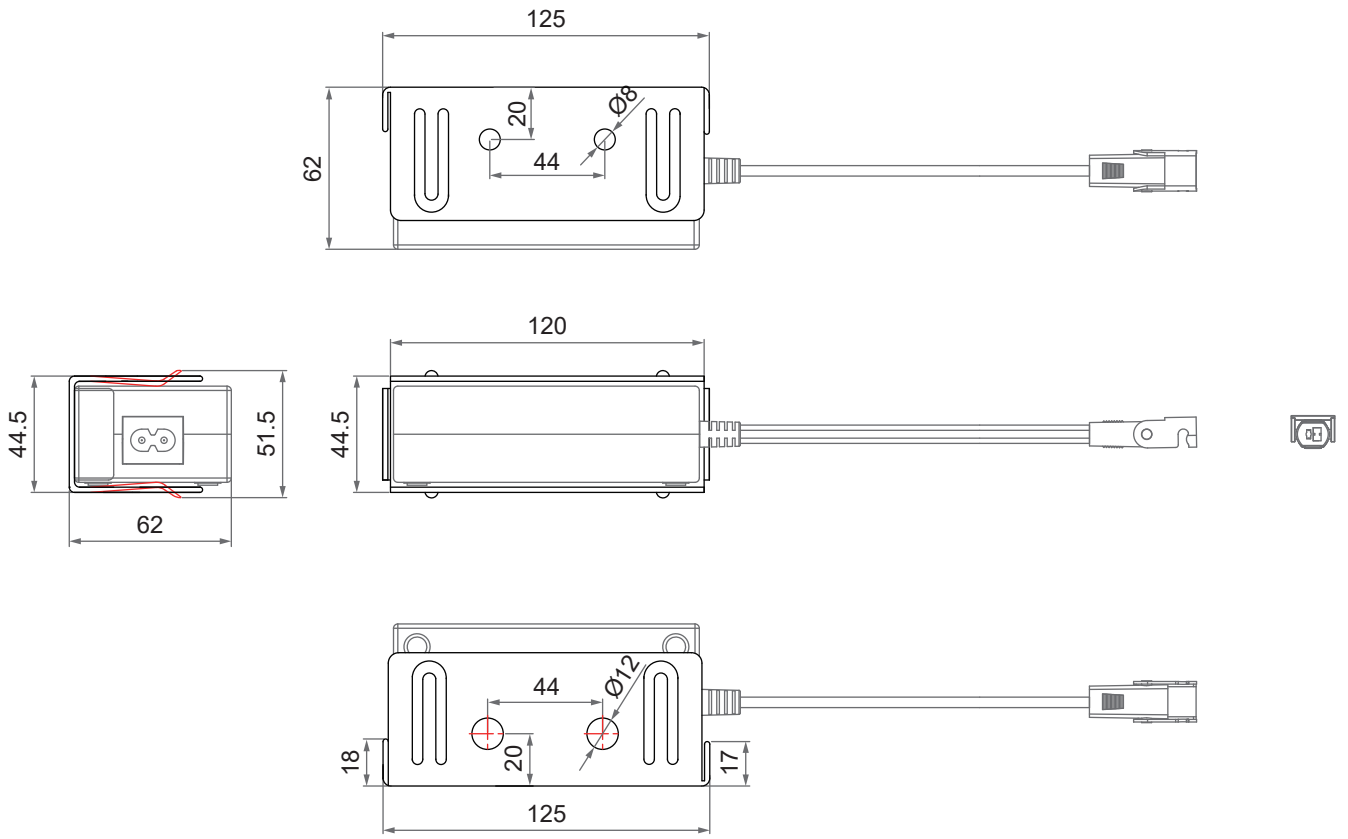


## • Assembly with fixing clips



Unit: mm

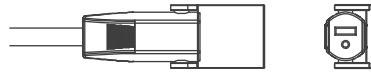
• Assembly with mounting plate



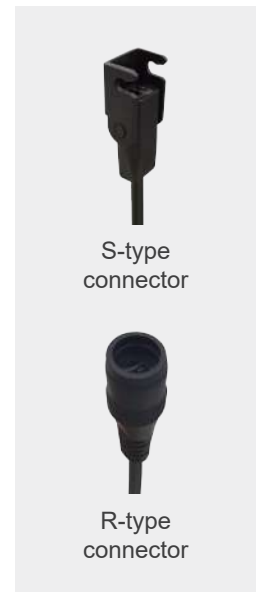
Unit: mm

## Cable Plug

- Moteck S-type DIN 41529 female connector for DC output



- Moteck R-type DIN 41529 female connector for DC output



- AC power cord

Plug type (plug in the wall)	Code		Connector type (plug in the power supply)
	AC power cord length		
	2000mm straight	3000mm straight	
US 2-Pin plug 	<b>A2</b>	<b>A3</b>	IEC 60320 C7 type connector 
EU 2-Pin plug 	<b>C2</b>	<b>C3</b>	

## Ordering Key

DPA - 58 - 29 - 20 - C8 - S 70 A 3 F

<b>Watts</b>	<b>58:</b> 58W
<b>Output voltage</b>	<b>29:</b> 29V DC
<b>Output current</b>	<b>20:</b> 2.0A
<b>AC inlet type</b>	<b>C8:</b> Inlet 2-Pin power socket (IEC 60320 C8 type)
<b>DC connector type</b>	<b>R:</b> Moteck R-type DIN 41529 female connector <b>S:</b> Moteck S-type DIN 41529 female connector
<b>Output over current protection</b>	<b>70:</b> 7.0A
<b>AC power plug</b>	<b>A:</b> US 2-Pin plug <b>C:</b> CEE 7/16 EU 2-Pin plug
<b>AC power cord length</b>	<b>2:</b> 2000mm <b>3:</b> 3000mm
<b>Option</b>	<b>Blank:</b> None <b>F:</b> Fixing clips <b>M:</b> Mounting plate

### Terms of Use

The user is responsible for application suitability of Moteck products. As ongoing improvement process continues, products listed on the Moteck website are subject to change without prior notice. Moteck reserves the right to terminate the sales or remove any product displayed on the website, or listed in its catalogues.