

Lifting Column

Model: DLC1

INTRODUCTION

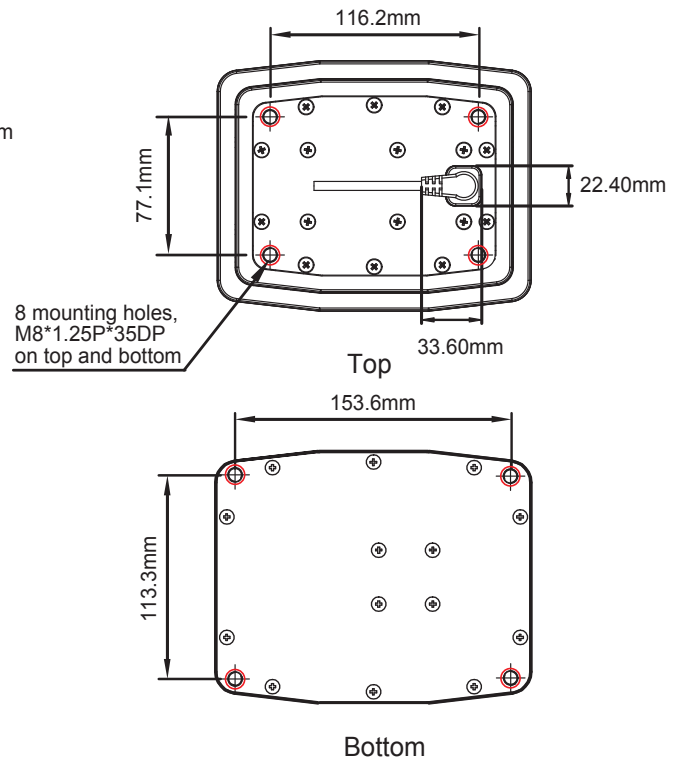
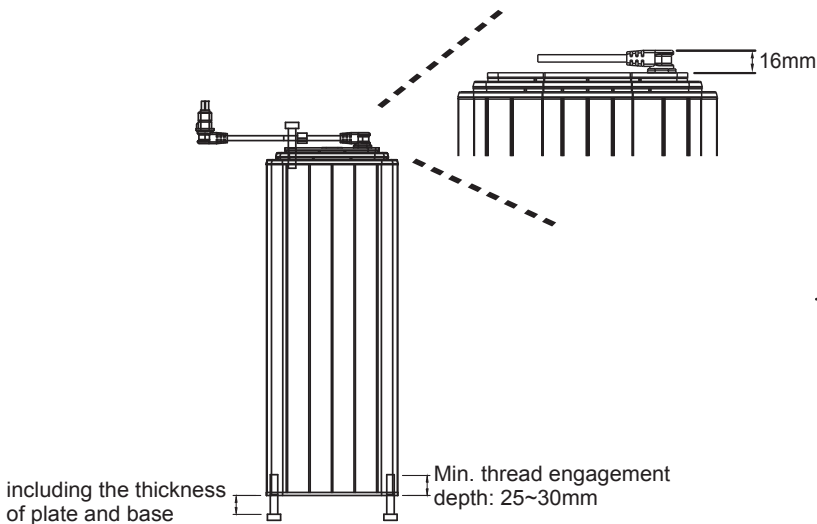
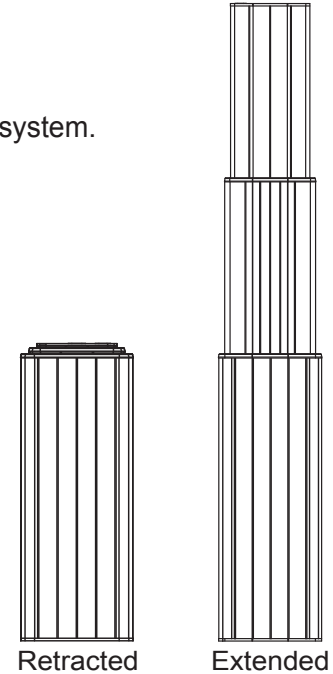
DLC1 is a quiet and powerful 3-part in-line lifting column with robust design, which is applicable to dental chair, hospital bed, treatment table, lifting table, workstation...etc. It can drive as a single or up to 2 synchronization system.

USAGE

- Duty cycle: 10%, max. 1 min continuous operation in 10 min.
- Ambient operating temperature: 0°C~+45°C
- Max. Storage temperature: +50°C

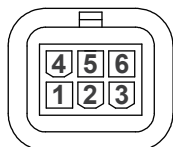
INSTALLATION

1. There are 8 mounting holes on top and bottom cover plate (marked with red circle). The thread size is M8*1.25P*35DP
2. Choose installation screws with appropriate length including the thickness of plate and base for mounting. Make sure the min. depth of thread engagement should be 25~30 mm.
3. The recommended torque on screw is 15~17Nm
4. There should be another 16mm space for plug on top side.
5. The plate on top or bottom should be as close as possible to the base surface.



CABLE TYPE and PIN DEFINITION

1. Minifit to Minifit plug
 - The definition is the same at the both ends of cable.

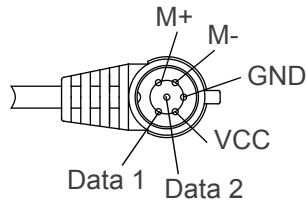


Pin assignments

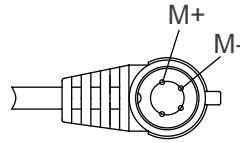
Pin No.	With Hall effect sensor	Without Hall effect sensor
1	GND	
2	VCC	
3	M-	M-
4	Data 2	
5	Data 1	
6	M+	M+

2. Minifit to DIN plug

-Din plug is only connected to control box.



With Hall effect sensor



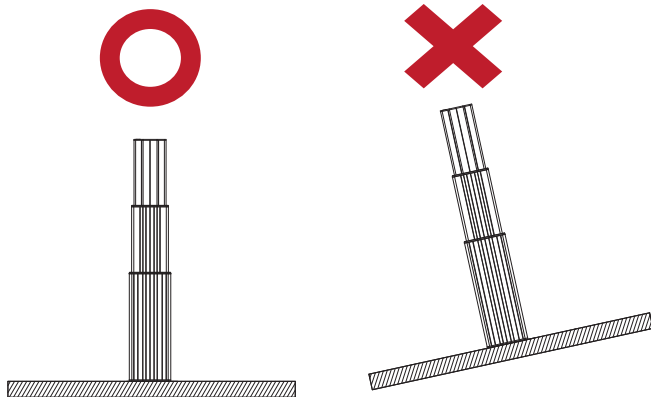
Without Hall effect sensor

*The resolution of hall effect sensor is 3.78 pulse/mm.

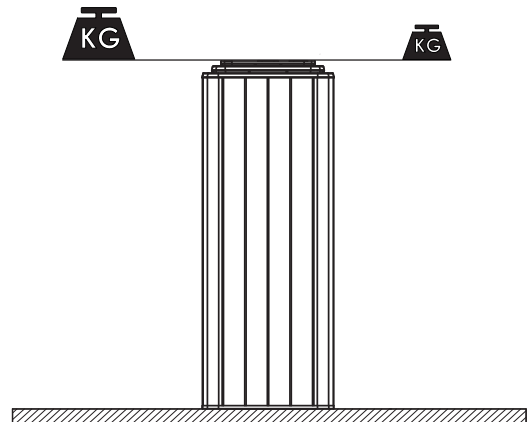
CAUTION

- DLC1 is for use in push application. PULL FORCE can result in damage to column and cause collapse.
- When washing DLC1 with IPx6 grade, it's not allowed to spray water directly onto the plastic frames between tubes, it's only permitted spray water directly onto aluminum housing.
- DLC1 is heavy (9.7kg), DO NOT DROP IT, and handle it with care to avoid personal injury.
- We recommend to use safety nut in medical applications.
- For safety sake, DO NOT OVERLOAD and LOOSEN any screws on DLC1.

- Make sure the ground or table is flat before installation.



- Max. bending moment
Dynamic : 250Nm
Static : 500Nm



- If the application includes 2 piece of DLC1 under synchronization or joint movement condition, make sure the height of the DLC1 are the same.

