

Gear Motor

DKM4-LF

DKM4-LF is a DC gear motor with hollow shaft to drive an hex rod (not included). In addition to the compact size and low noise level, it also provides positioning feedbacks using dual Hall effect sensors to support advanced control functions. DKM4-LF is an economical and high quality drive solution, which possesses wide applications.



Features and Options

Main application: Furniture

Standard features:

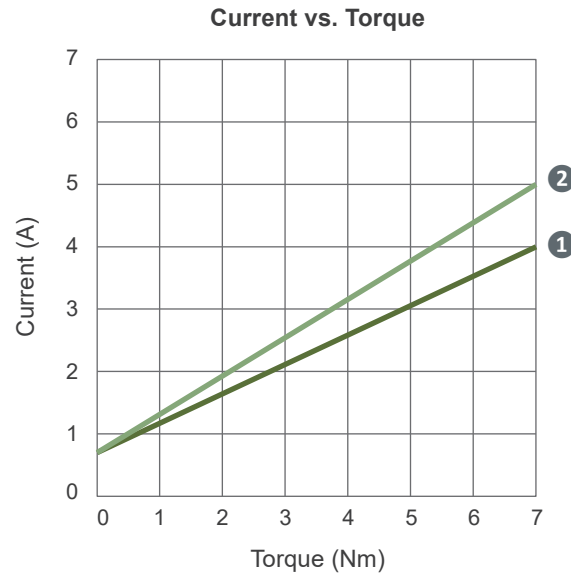
- Input voltage: 24V DC
- Max. speed at no load: 110rpm after gear reduction
- Max. torque: 7Nm
- Dual Hall effect sensors positioning feedback
- Hollow shaft: Hexagon 6mm diameter
- Noise level: ≤ 53 dB
- IP level: IP30
- Color: Black
- Power cord length: 1000mm straight
- Duty cycle: 10%, max. 2 min. continuous operation in 20 min.
- Operating ambient temperature: 0°C ~ +45°C
- Certified: CE marking, EMC Directive 2014/30/EU

Options:

- Standard motor / High speed motor

Performance Data

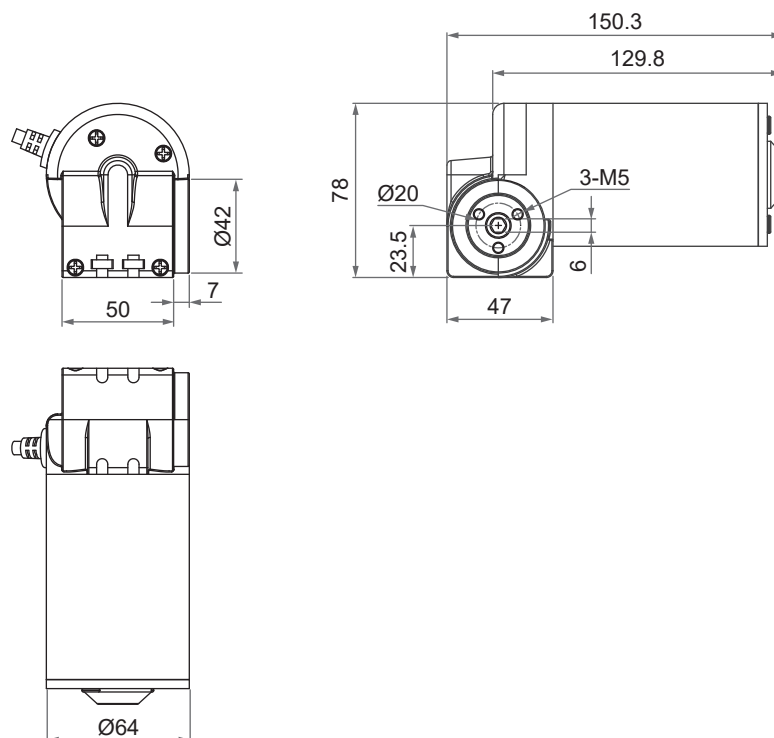
No.	Model No.	Drive torque Max. (Nm)	* Typical speed (rpm)		* Typical current (A) @ 24V DC		Dual Hall effect sensors resolution (ms)
			No load	Full load	No load	Full load	No load
①	DKM4-LF-24-A01-X-X	7	83		0.7	4	21~26
②	DKM4-LF-24-F02-X-X	7	110		0.7	5	16~20



Remarks:

- * The typical speed or typical current means the average value neither upper limit nor lower limit. The performance curves are made with typical values.

Dimensions

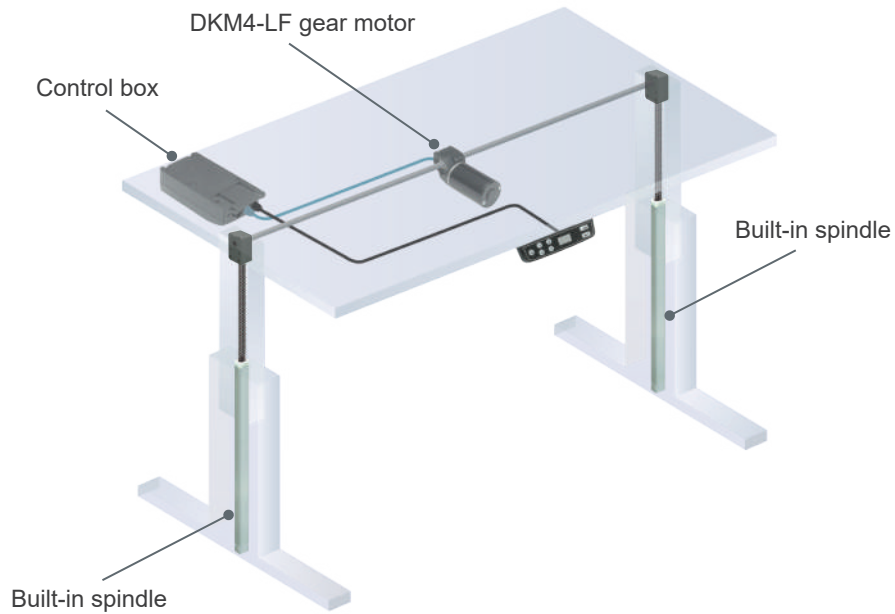


Unit: mm

Compatibility

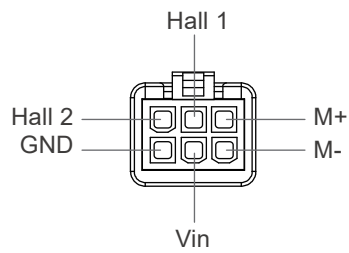
Product	Model	DKM4-LF spec
Control box	CF11D, CF13	<ul style="list-style-type: none"> • With dual Hall effect sensors • With Moteck L3-type minifit 6-pin plug
Built-in spindle	DKS2, DKS3	<ul style="list-style-type: none"> • Drive by hexagon metal rod (not included) • Hollow shaft hex 6mm

Application example:



Cable Plug

Moteck L3-type minifit 6-pin plug



L3-type plug

Note:

Connect M+ to "Vdc +" & M- to "Vdc -" of DC power, the motor will turn counterclockwise. Switch the polarity of DC input to turn clockwise direction it.



Ordering Key

DKM4-LF - 24 - A01 - 1 - 3

Input voltage	24: 24V DC
Motor type <i>(Refer to Page 2)</i>	A01: Standard motor (2500rpm, gear ratio 30:1) F02: High speed motor (3300rpm, gear ratio 30:1)
Power cord length	1: 1000mm straight
Cable plug <i>(Refer to Page 3)</i>	3: Moteck L3-type minifit plug

Certifications

DKM4-LF gear motor is compliant with the following regulations, in terms of the essential conformity requirements of EMC Directive of 2014/30/EU.

Emission	Immunity
EN 55014-1:2017 EN 55014-1:2017/A11:2020	EN 55014-2:2015

Terms of Use

The user is responsible for application suitability of Moteck products. As ongoing improvement process continues, products listed on the Moteck website are subject to change without prior notice. Moteck reserves the right to terminate the sales or remove any product displayed on the website, or listed in its catalogues.