

# Gear Motor

## DKM3

DKM3 is a DC gear motor with hollow shaft to drive an hex rod (not included). In addition to the compact size and low noise level, it also provides positioning feedbacks using dual Hall effect sensors to support advanced control functions. DKM3 is an economical and high quality drive solution, which possesses wide applications.



### Features

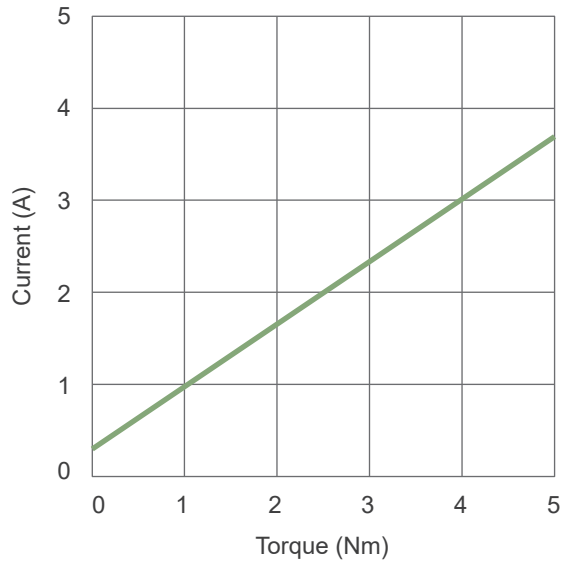
---

- Main application: Furniture
- Input voltage: 24V DC
- Max. speed at no load: 62rpm after gear reduction
- Max. torque: 5Nm
- Dual Hall effect sensors positioning feedback
- Hollow shaft: Hexagon 6 or 8mm diameter
- Noise level:  $\leq 50$ dB
- IP level: IP30
- Color: Black
- Power cord length: 1000mm straight
- Duty cycle: 10%, max. 2 min. continuous operation in 20 min.
- Operating ambient temperature: 0°C ~ +45°C

## Performance Data

Model No.	Drive torque Max. (Nm)	* Typical speed (rpm)		* Typical current (A) @ 24V DC	
		No load		No load	Full load (5Nm)
DKM3	5	62		0.3	3.7

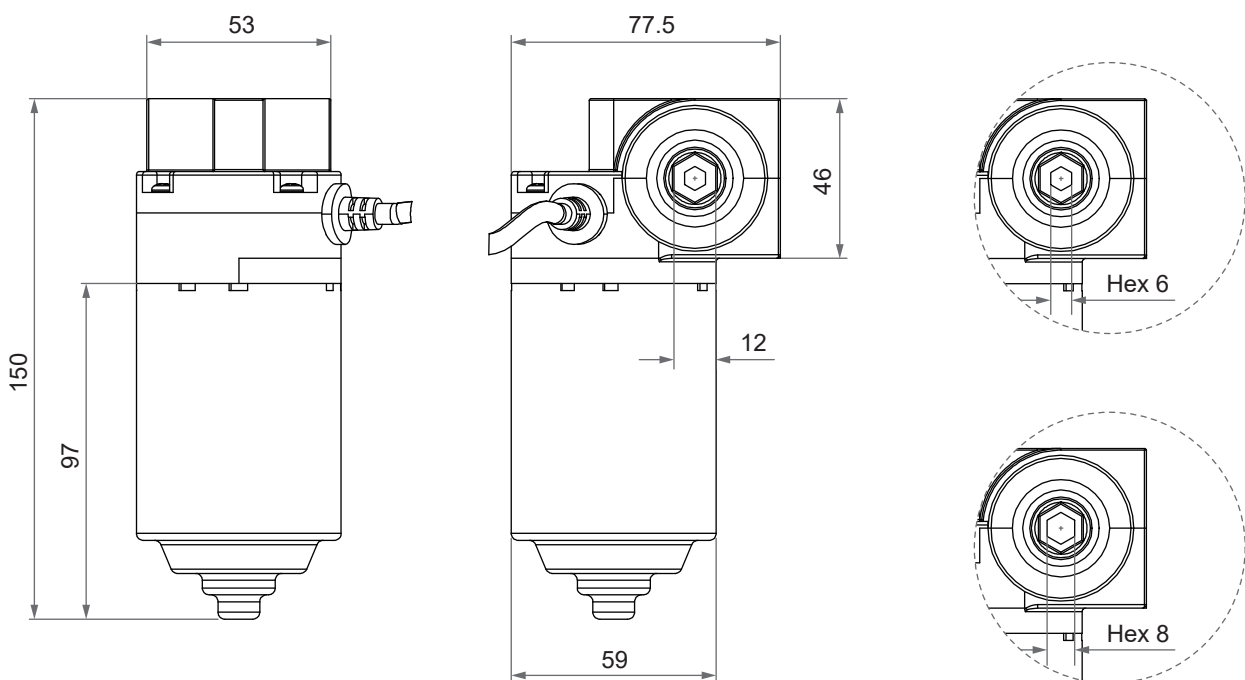
Current VS. Torque



### Remarks:

- \* The typical speed or typical current means the average value neither upper limit nor lower limit. The performance curves are made with typical values.

## Dimensions

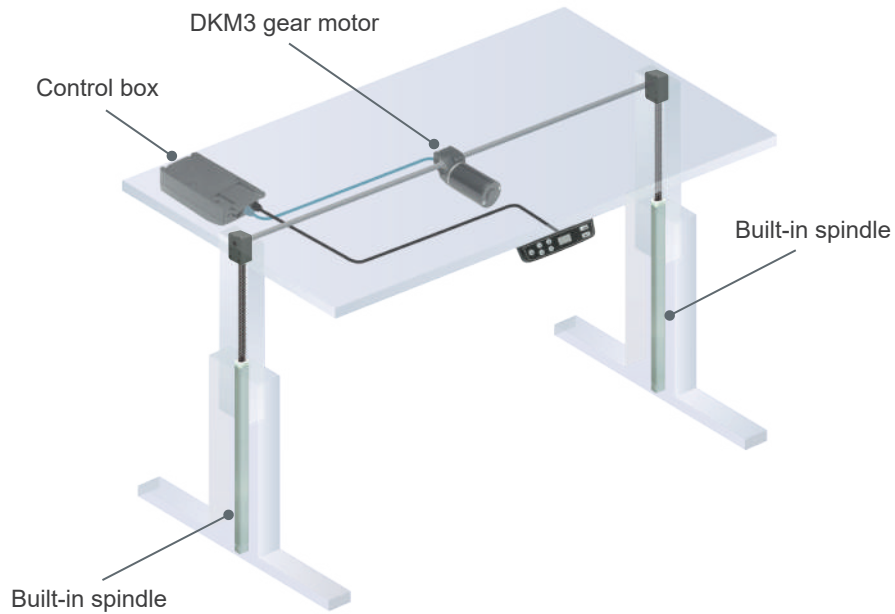


Unit: mm

## Compatibility

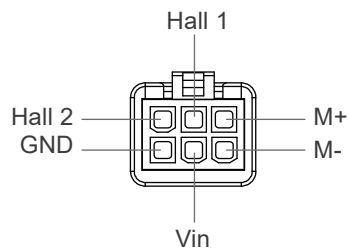
Product	Model	DKM3 spec
Control box	CF11D, CF13	<ul style="list-style-type: none"> <li>• With dual Hall effect sensors</li> <li>• With Moteck L3-type minifit 6-pin plug</li> </ul>
Built-in spindle	DKS2, DKS3	<ul style="list-style-type: none"> <li>• Drive by hexagon metal rod (not included)</li> <li>• Hollow shaft hex 6mm</li> </ul>

### Application example:



## Cable Plug

### Moteck L3-type minifit 6-pin plug



L3-type plug

### Note:

1. Connect M+ to "Vdc +" & M- to "Vdc -" of DC power, the motor will turn counterclockwise. Switch the polarity of DC input to turn clockwise direction it.
2. Dual Hall effect sensors resolution: 21 msec/pulse



## Ordering Key

**DKM3- 24 - A01 - 1 3 - 6**

<b>Input voltage</b>	<b>24:</b> 24V DC
<b>Motor type</b>	<b>A01:</b> Standard motor (2500rpm, gear ratio 40:1)
<b>Power cord length</b>	<b>1:</b> 1000mm straight
<b>Cable plug</b> <i>(Refer to Page 3)</i>	<b>3:</b> Moteck L3-type minifit plug
<b>Hollow shaft</b>	<b>6:</b> Hexagon 6mm diameter <b>8:</b> Hexagon 8mm diameter

**Terms of Use**

The user is responsible for application suitability of Moteck products. As ongoing improvement process continues, products listed on the Moteck website are subject to change without prior notice. Moteck reserves the right to terminate the sales or remove any product displayed on the website, or listed in its catalogues.