

Control Box CS1

CS1 is a small and light control box with 2 actuators driving capability. It is designed to be compatible to the mainstream products in Moteck and it provides a better choice of narrow space application. CS1 gets power from the external SMPS (switching mode power supply) and there are several models are compatible.



Features

- Main applications: Furniture, Home care
- Input voltage: 29V DC
- Power in: External SMPS (switching mode power supply)
- Output voltage: 29V DC
- Output rated current: 3.0A (per channel)
- Max. number of actuators: 2 channels
- Max. number of controls: 1 channel
- Duty cycle: 10%, max. 2 min. continuous operation in 20 min.
- PTC thermistor over-current protection
- IP level: IP42 (Static; non-action)
- Color: Black, Gray RAL 7001
- DC power cord: 1000mm straight, DIN 41529 male plug at both ends.
- Operating ambient temperature: +5°C ~ +40°C
- Certified: CE Marking, EMC Directive 2014/30/EU

Options

- Mounting plate: to fix on flat surface with screws (Fig. 1)
- Fixed on FD60 actuator with plastic adapter and screw (Fig. 2)



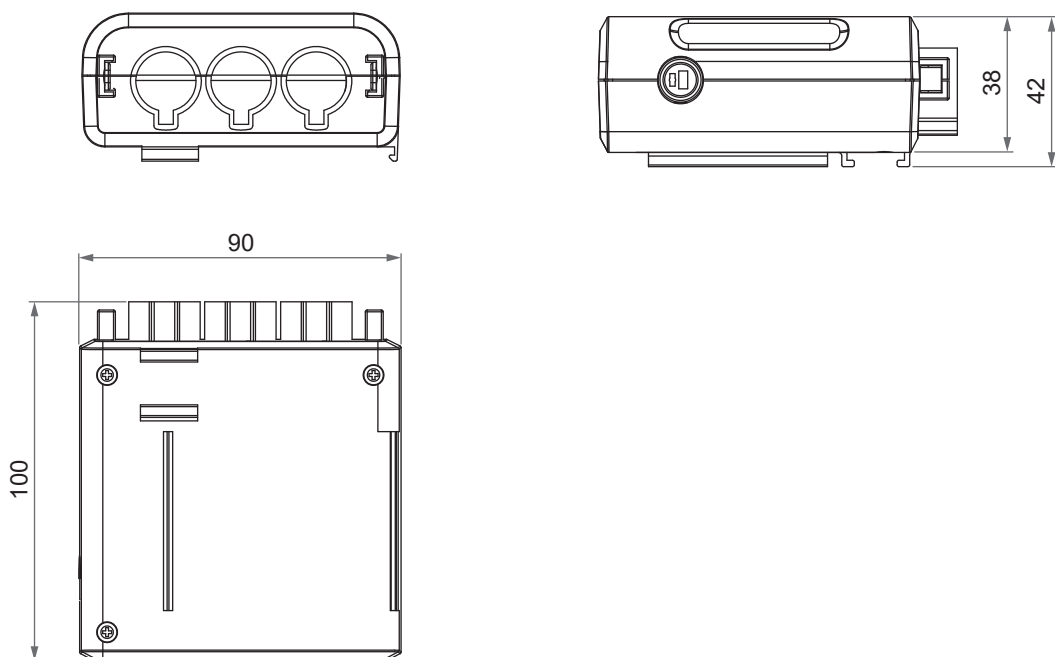
Fig. 1



Fig. 2

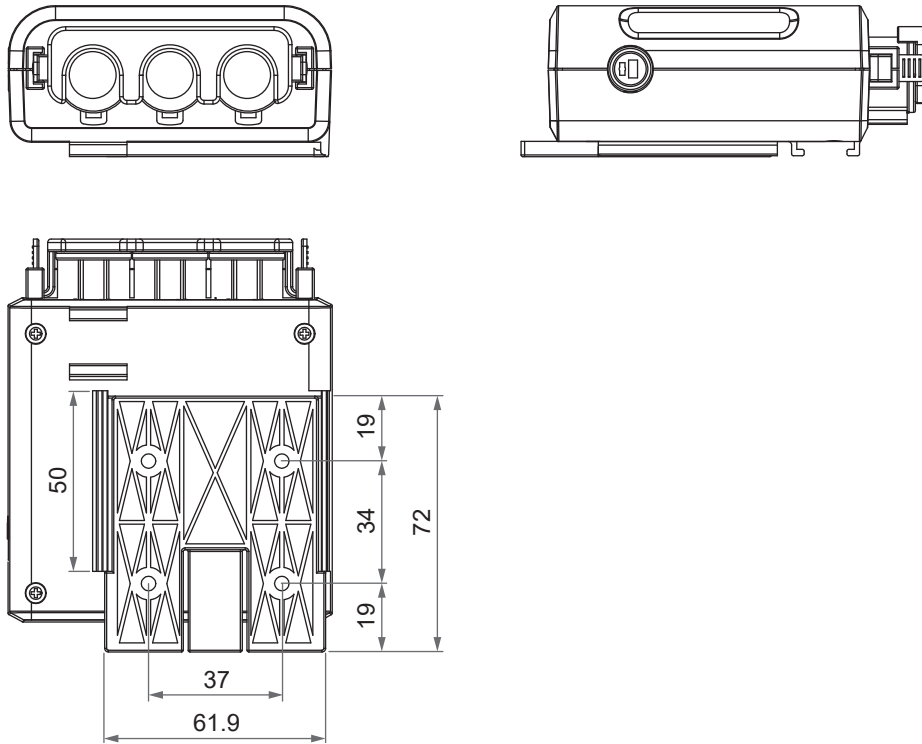
Dimensions

- Single unit

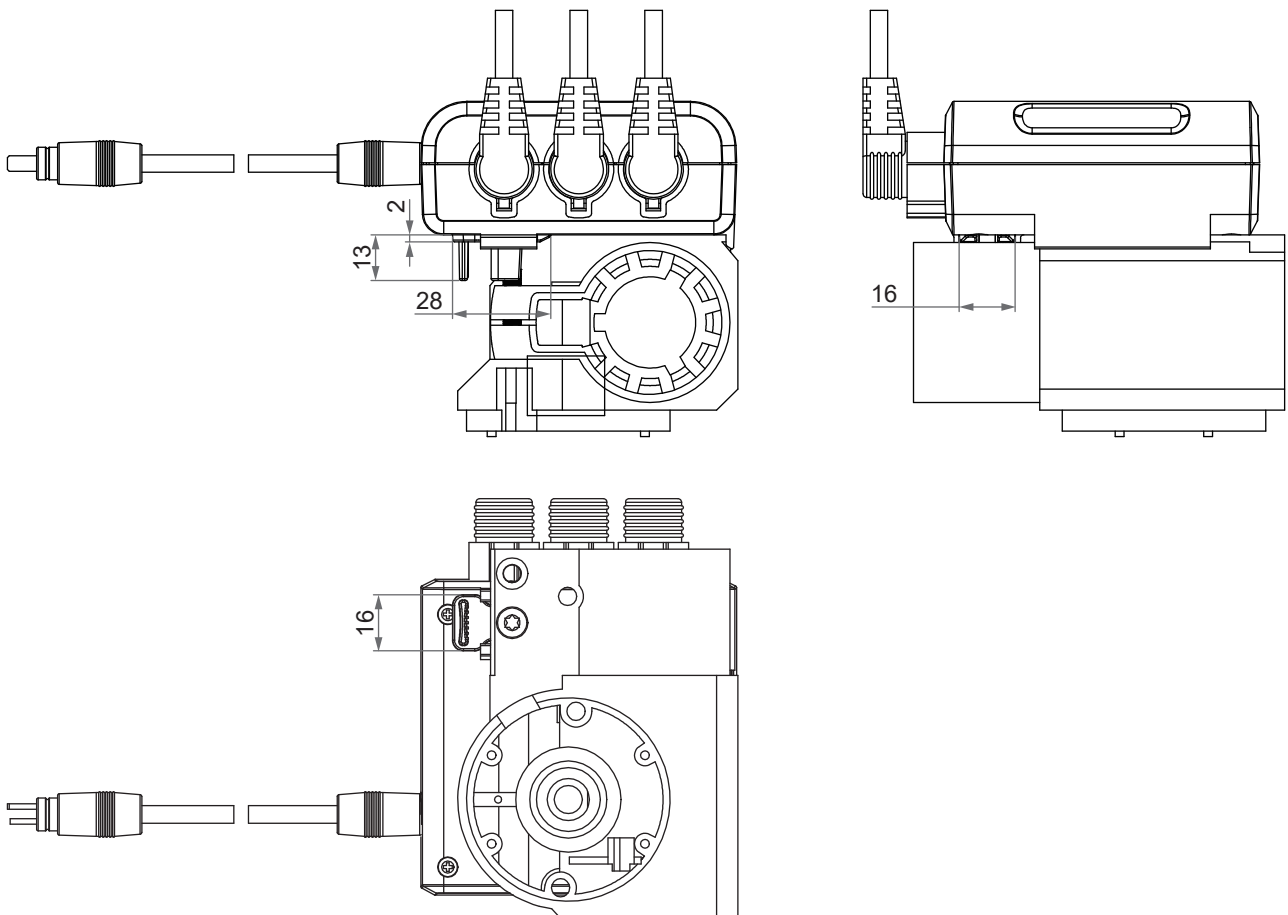


Unit: mm

• Assembly with plastic mounting plate

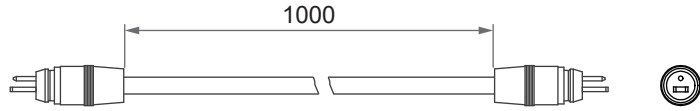


• Assembly with plastic adapter and screw to fix CS1 control box on FD60 actuator.



Unit: mm

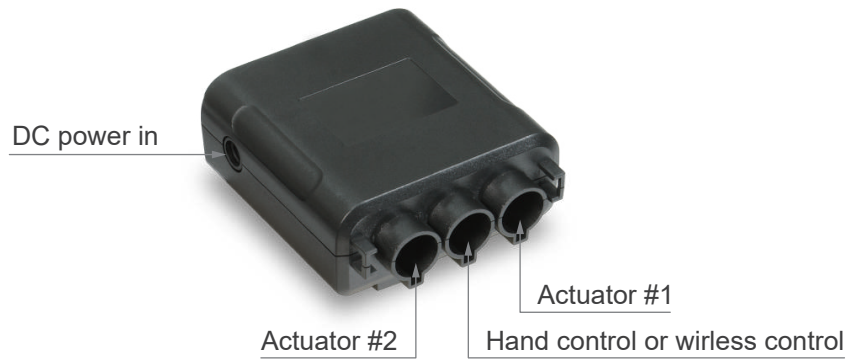
• DC power cord



With Moteck R-type DIN 41529 male plug at both ends

Unit: mm

I/O Introduction



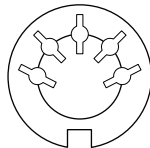
Compatibility

Product	Model	Compatible requirement
Actuator	FD20, FD40, FD60, FD61, BD61, BD62, GD70, MK33	<ul style="list-style-type: none"> • Without positioning sensors • With Moteck F-type DIN plug
Hand control	DP05, DP11, DKP4, HD, HDU, HJ, HM, HR, H2N, H2Z	<ul style="list-style-type: none"> • Moteck P1 control category • With Moteck F-type DIN plug
Wireless control	TXA4 2.4GHz RF adapter	<ul style="list-style-type: none"> • Without position memory function • With Moteck F-type DIN plug
Power adapter	DPA-58-2920-C8 (formerly TSW1), DPB-58-2920-C8 (formerly TSW2), DPA-87-2930-C6 (formerly TSW3)	<ul style="list-style-type: none"> • With female connector for Moteck R-type DIN 41529 plug

Socket

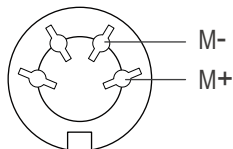
Connection to hand control or wireless control: With Moteck F-type DIN plug

- 1 drive model / 2 drives model



5-pin socket

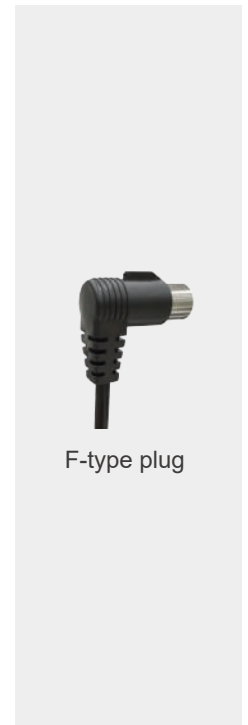
Connection to actuator: With Moteck F-type DIN plug



4-pin socket

Note:

Connect M+ to "Vdc +" & M- to "Vdc -" of DC power to extend the motor.
Switch the polarity of DC input to retract it.



F-type plug

Ordering Key

		CS1-0-2-0-B-0-1
Function	0: Without memory function	
Number of actuator	1: 1 channel 2: 2 channels	
Mounting	0: Attached to FD60 actuator (Standard) 1: Assembly with plastic mounting plate	
Color	B: Black G: Grey RAL 7001	
Reserved	0	
DC power cord	1: 1000mm straight, Moteck R-type DIN 41529 male plug at both ends.	



For more information about operating guide, refer to the respective product data sheets of the control devices connected.

Terms of Use

The user is responsible for application suitability of Moteck products. As ongoing improvement process continues, products listed on the Moteck website are subject to change without prior notice. Moteck reserves the right to terminate the sales or remove any product displayed on the website, or listed in its catalogues.