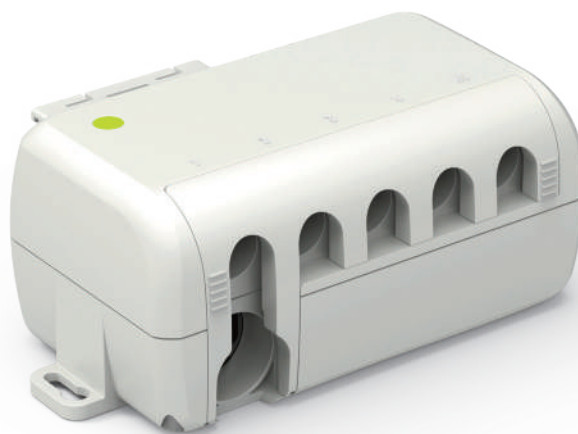


Control Box CM45

CM45 is designed for medical application, which can control up to 4 actuators. CM45 is compatible with wide range of MOTECK mainstream actuators and handsets. It is perfect if you need a compact and small control box with SMPS.

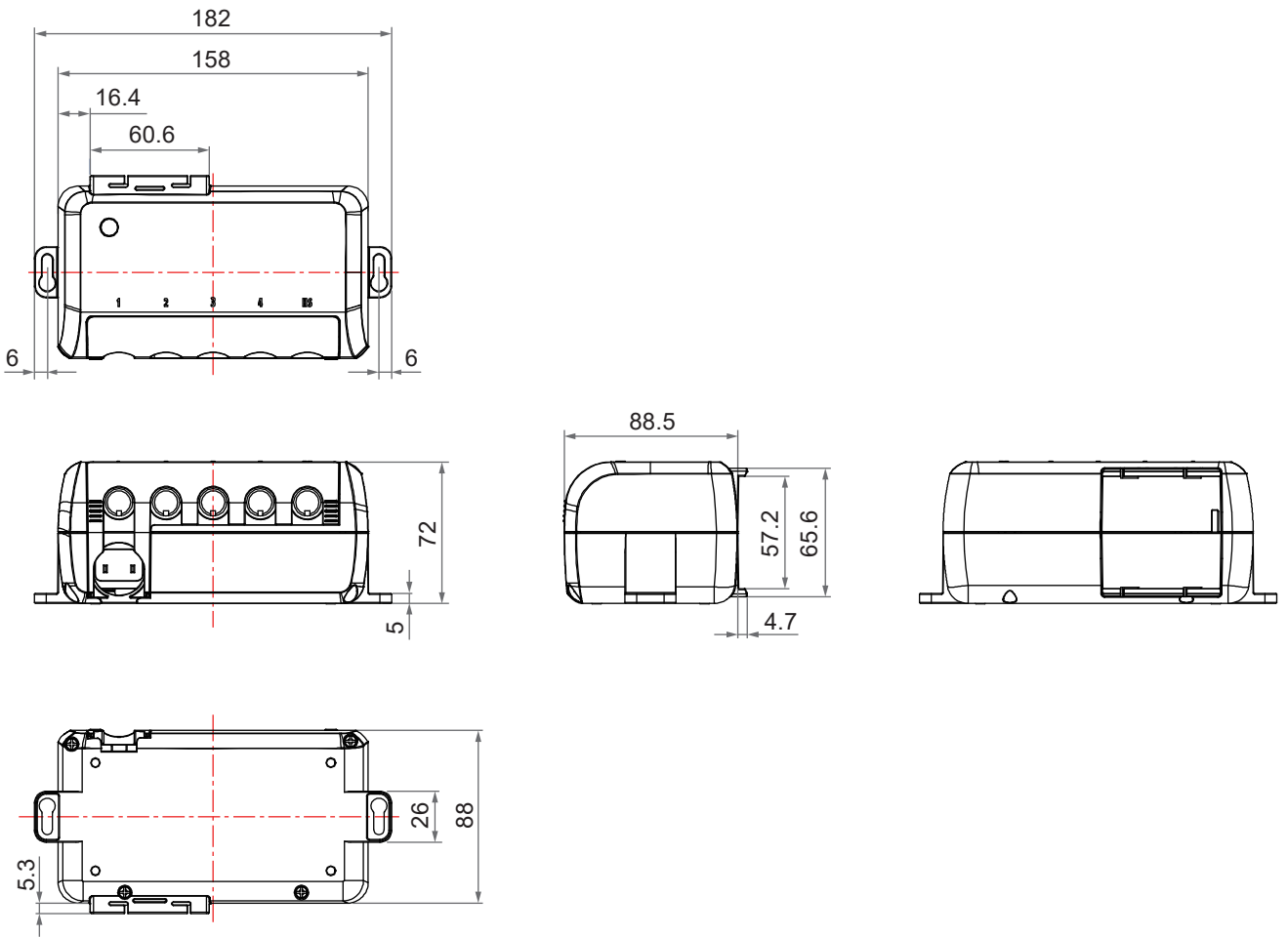


Features and Options

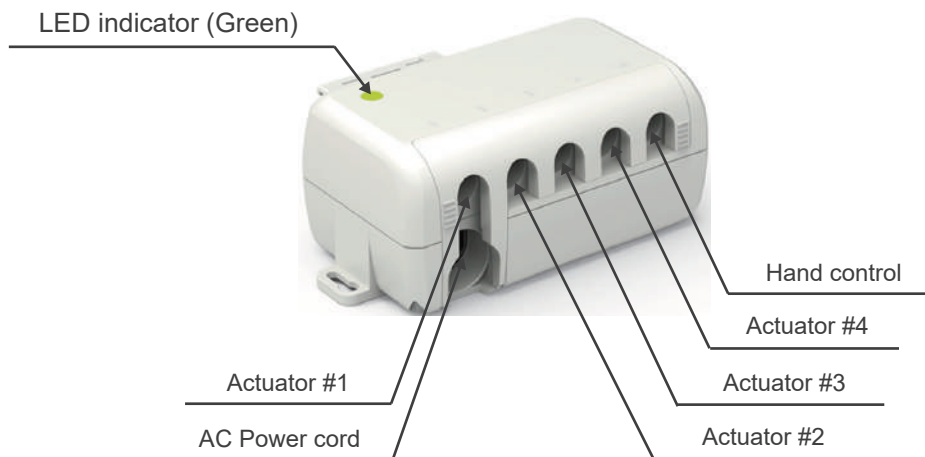
- Main applications: Medical, Home care
- Input: 100 ~ 240V AC, 50/60Hz (SMPS)
- Output: 29V DC, 5A total
- Max. number of actuators: 4 channel
- Max. number of controls: 1 channel
- Duty cycle: 10%, max. 2 min. continuous operation in 20 min.
- IP Level: IPX5
- Protection class: Class II
- LED power on indicator
- PTC overload protection
- Color: Light gray (RAL 7035)
- Antil-pull clip, compatible with Moteck H-type DIN plug only.
- Compliant with CE marking, EN60601-1-2, IEC 61000-3-2, IEC 61000-3-3, IEC 61000-4-2, IEC 61000-4-3, IEC 61000-4-4, IEC 61000-4-5, IEC 61000-4-6, IEC 61000-4-8, IEC 61000-4-11
- Optional C Clip, to fix CM45 onto MD66 or MK67 actuator (Refer to Compatibility)

Dimensions

Unit: mm



I/O Introduction



Compatibility

Product	Model	Compatible requirement
Actuator	MD10, MD21, MD66*, MD7, MD82, MK32, MK31, MK31-QR, MK33, MK67*, LD60	<ul style="list-style-type: none"> Without positioning feedback sensors With MOTECK H-type DIN plug
Hand control	FS1, FS2, H2D, H3F, H3T, HC, HF, HS12, HT	<ul style="list-style-type: none"> MOTECK P1 control category With MOTECK H-type DIN plug

Remarks:

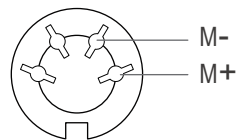
* CM45 control box is designed to be hooked up on MD66 or MK67 actuator.



MD66+CM45

Socket

- Actuator socket for H-type DIN plug



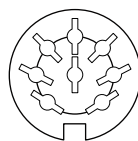
4-pin socket



H-type

Note: Connect M+ to “Vdc +” & M- to “Vdc -” of DC power to extend the motor. Switch the polarity of DC input to retract it.

- Hand control socket for H-type DIN plug



8-pin socket

- AC Power Cord

Plug type	2000mm straight	3000mm straight	Note
US plug 	A2	A3	Control box : C17 type connector 
CEE 7/17 plug 	V2	V3	
UK plug 		G3	

Ordering Key

CM45 - 29 E 4 0 0 A2	
Output voltage	29: 29V DC
Output power	E: 29V DC, 5A total
Number of control	2: 2 channels 3: 3 channels 4: 4 channels
Reserved	0
Mounting	0: None 4: Fixed on MK67 actuator 6: Fixed on MD66 actuator
Plug	A2: US plug, 2000mm straight A3: US plug, 3000mm straight V2: CEE 7/17 plug, 2000mm straight V3: CEE 7/17 plug, 3000mm straight G3: UK plug, 3000mm straight 00: Without AC Power cord