

Controller CI73

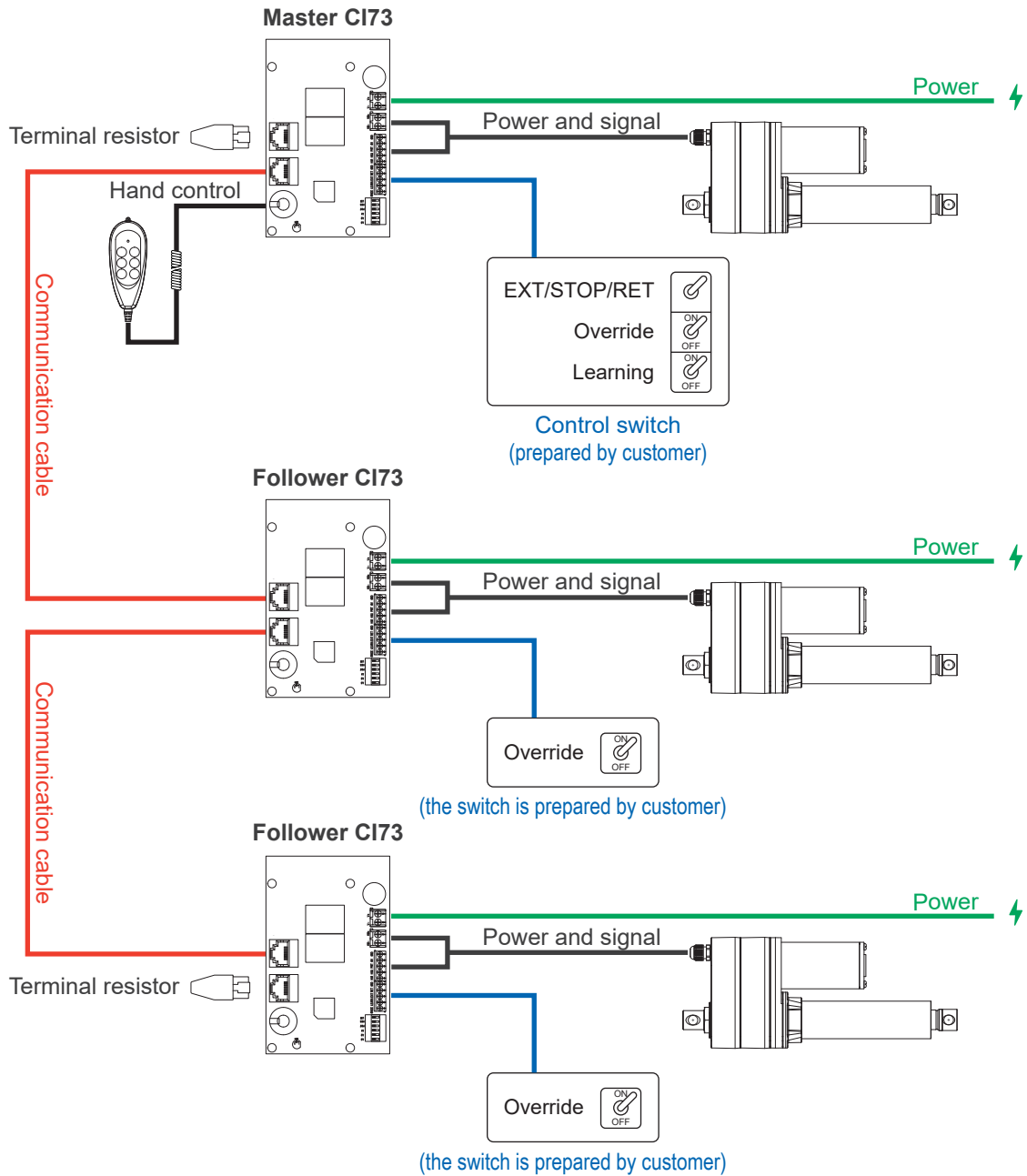
CI73 is a control PCBA suitable for industrial use and designed to achieve synchronous movement of actuators. Each CI73 controls the operation of one actuator, and communication cables are used between CI73s to achieve synchronous control of multiple actuators through closed-area network communication. CI73 product specifications are not divided into master or slave. The master can be determined by system wiring. The number of combinations of actuator and CI73 can be flexibly added according to application requirements, and can support up to 8 sets of actuators.



Features and Options

- Main applications: Industry
- Input voltage: 24 ~ 29V DC (power cord not included, prepared by customer)
- Actuator power output: 24V DC, max. 10A
- Max. number of actuators: 1 channel, up to 8 sets of CI73 can be connected to achieve synchronous control of 8 actuators.
- Supports POT, single Hall or dual Hall effect sensors feedback.
- Support actuators with or without stroke limit switches
- Control input: 5-position terminal, 2 meters control cable included (in delivery)
- Support the position memory function through hand control (must order separately)
- LED operation indicator (green)
- Parameter setting: Through hardware DIP switch
- Duty cycle: 15%, max. 2 min. continuous operation
- Operating ambient temperature: -20°C ~ +55°C
- Accessories: A 0.25W 120 ohm terminal resistor is included with the product for use at both ends of the synchronous communication wiring.
- Comes with 4 plastic PCB spacers
- Optional DIN rail holder (for mounting on DIN NS 32 or NS 35/7.5 rail)
- Certified: CE Marking, EMC Directive 2014/30/EU

System Diagram

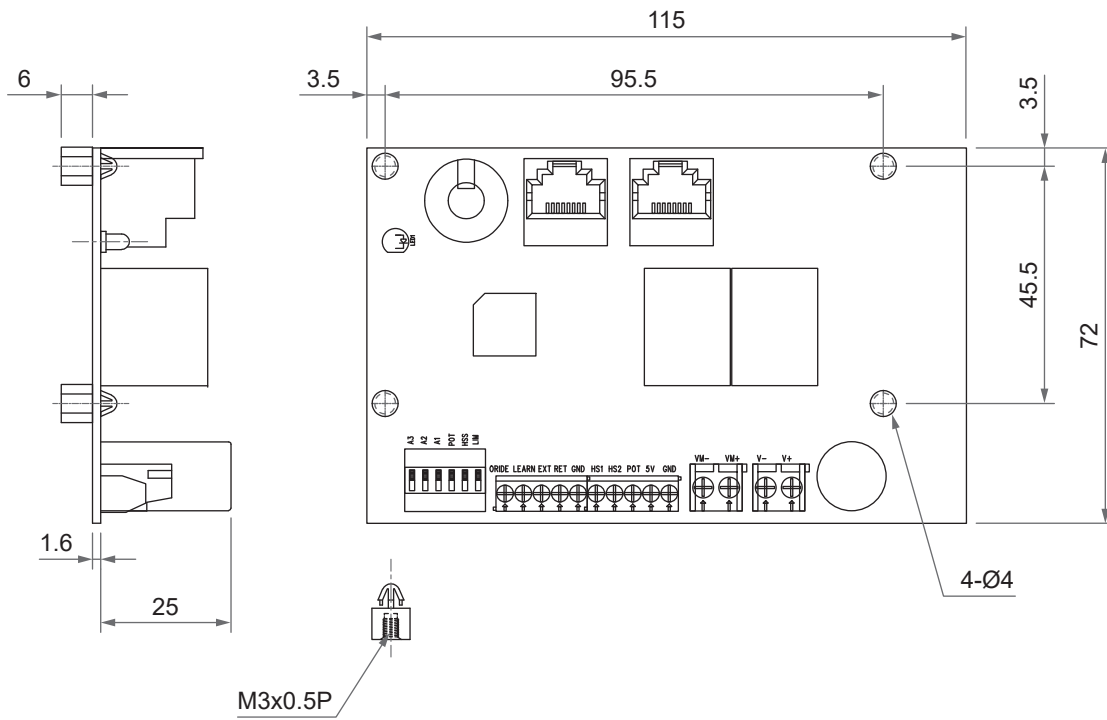


Compatibility

Product	Model	Compatible requirement
Actuator	ID10, ID10G, ID10K, ID12 DLC1, DLC2, DLC3, LD3, LD20, LD36, LD40	<ul style="list-style-type: none"> • With Hall effect sensor feedback-NPN type • Cable with flying leads • 24V DC/ Max. current <10A
	ID10BT, ID10P	<ul style="list-style-type: none"> • With potentiometer positioning feedback • Cable with flying leads • 24V DC/ Max. current <10A
Hand control	HM-6R	<ul style="list-style-type: none"> • Supports LED indicator and position memory function • With Moteck F-type DIN plug
	HM-2R	<ul style="list-style-type: none"> • Supports LED indicator • With Moteck F-type DIN plug

Dimensions

PCBA only (screw spacers included)



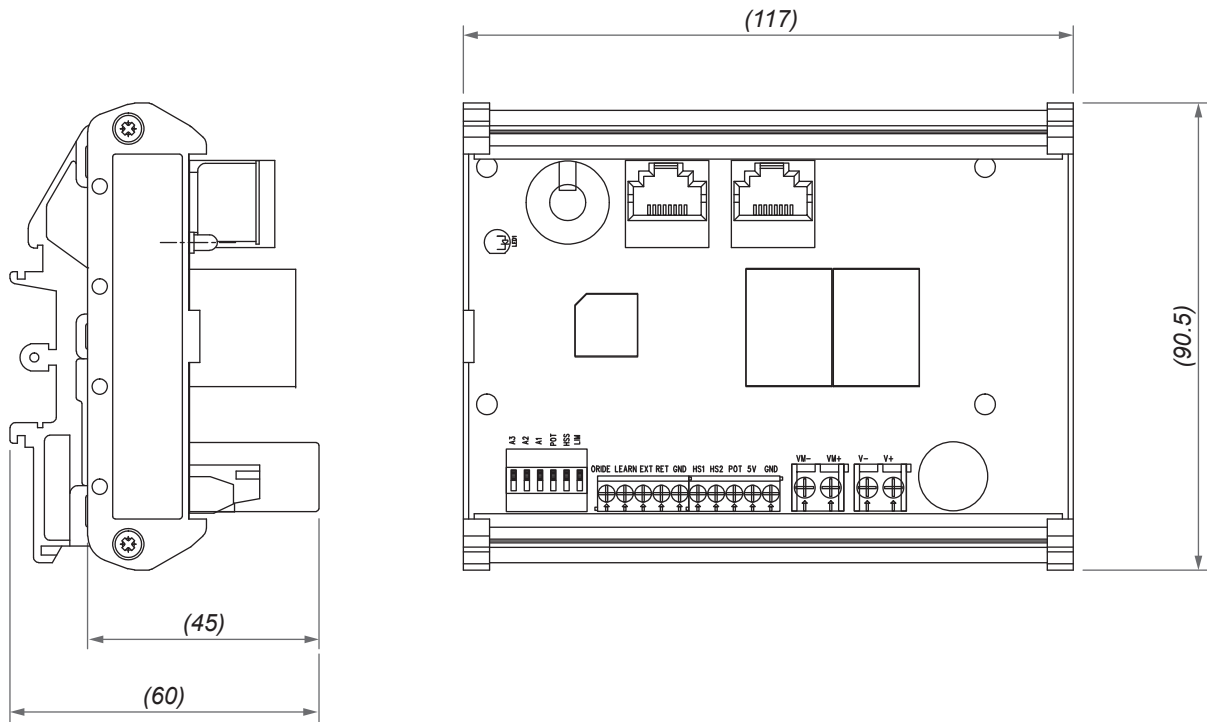
Unit: mm

Note:

Comes with 4 plastic PCB spacers, M3 mechanical threaded screws not included.



DIN rail holder (Option)



Unit: mm

Assembled by customer

Parts included:

- ① Base x1 pc
- ② Side element x2 pcs and screw x4 pcs
- ③ Foot element x2 pcs



After installation

Note:

Also comes with 4 plastic PCB spacers.



Ordering Key

CI73- 24 - 0

Input voltage	24: 24~29V DC
Model	0: PCBA only R: With DIN rail holder

Certifications

CI73 controller is compliant with the following regulations, in terms of the essential conformity requirements of EMC Directive of 2014/30/EU.

Emission	Immunity
EN IEC 61000-6-3:2021 BS EN IEC 61000-6-3:2021	EN IEC 61000-6-1:2019 BS EN IEC 61000-6-1:2019

Terms of Use

The user is responsible for application suitability of Moteck products. As ongoing improvement process continues, products listed on the Moteck website are subject to change without prior notice. Moteck reserves the right to terminate the sales or remove any product displayed on the website, or listed in its catalogues.