

Control Box CI71

CI71 is an industrial control box, which is designed to be assembled on the motors of Moteck's industrial actuators in accordance with the purchase order. This allows users to easily connect a low-current switch component to control the extension and retraction of the actuator.



Features

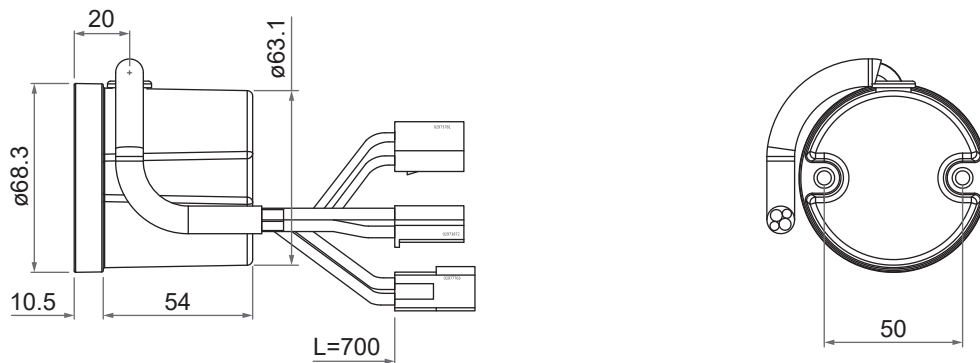
- Main applications: Utility Vehicle
- Input / output voltage: 12V DC
- Input / output current: 25Amps
- Number of controls: 1 channel
- Number of actuators: 1 channel
- Operating ambient temperature: -25°C ~ +65°C
- Cable length: 700mm

Compatibility

Product	Model	Compatible requirement
Actuator	ID10, ID10G, ID10K, ID11, ID12	<ul style="list-style-type: none"> • 12V motor • $\varnothing 63.5\text{mm}$ motor housing

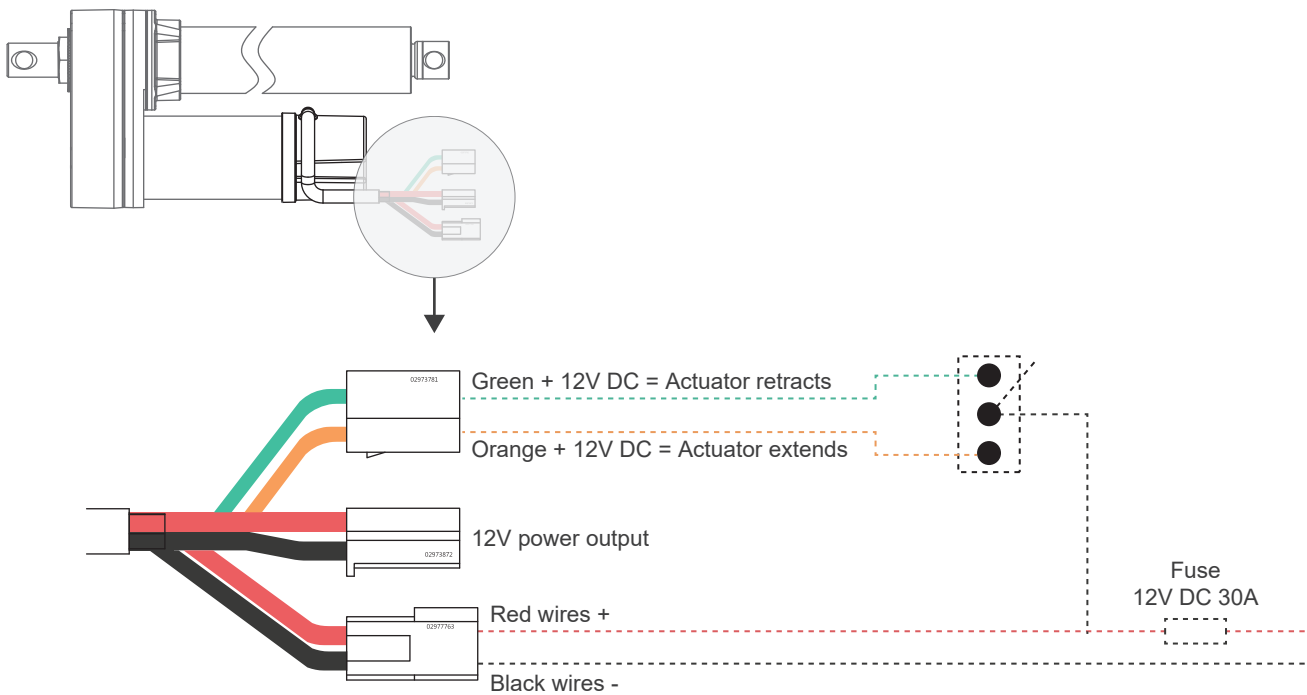
Note: It is recommended to place an order for CI71 together with Moteck actuators, and assemble it directly on actuators for delivery.

Dimensions



Unit: mm

Wiring



Remarks: All dashed lines are connected by the customer.

Terms of Use

The user is responsible for the suitability of MOTECK products, and the products listed on the MOTECK website are subject to change without notice. MOTECK reserves the right to terminate sales or delete any products displayed on the website or listed in its catalog.