

# Control Box

## CF15

CF15 is an RF wireless control box designed for adjustable beds. In addition to the compact size (with SMPS included), CF15 also provides 2 USB charging ports for your mobile device, and provides the option of under-bed light (built-in or external), and supports the "zero gravity" preset position function. In the event of a power failure, the emergency lowering function can be achieved through 9 volt batteries and the FLAT button.



### Features and Options

---

**Main applications:** Furniture, Home care

**Standard features:**

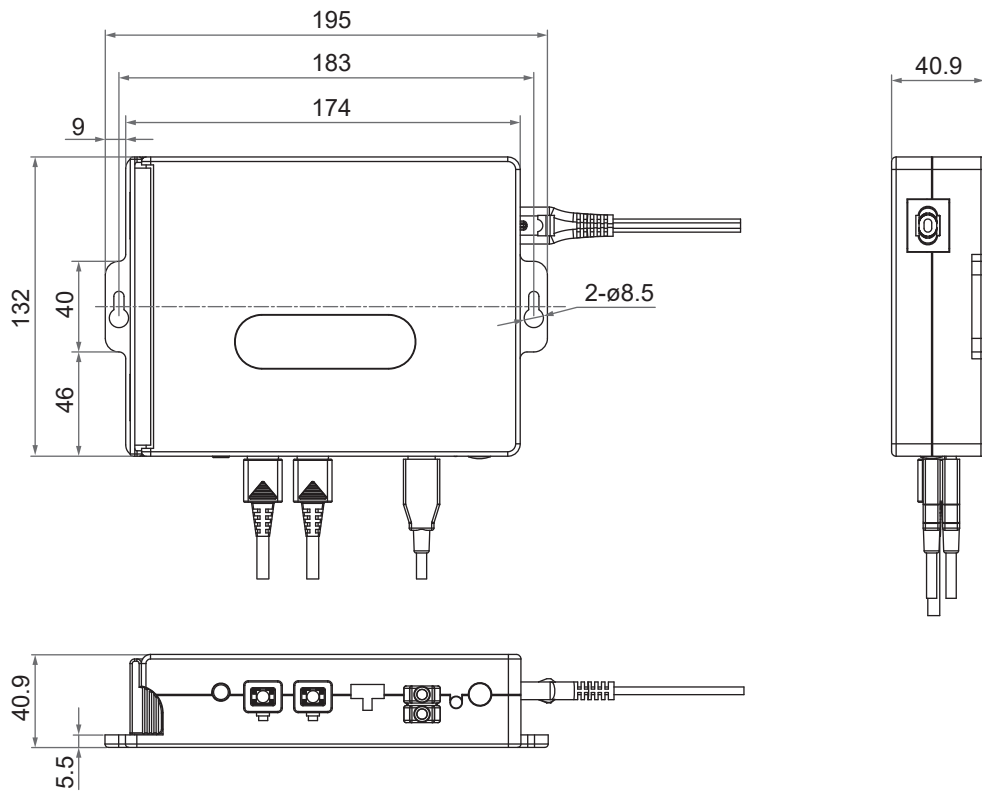
- Input voltage: 100~240V AC, 50/60Hz (SMPS)
- Power supply: Built-in SMPS, 29V DC/2A
- Output voltage: 29V DC
- Number of actuators: 2 channels
- Max. current: 4A (Per channel)
- USB port for 3C device charging (5V DC, 2A total)
- Built-in RF receiver (2.4GHz)
- Max. operating distance: 5m
- Built-in under bed light (warm white)
- LED Indicator
- Support flat and 'Zero Gravity' preset position function
- Retract actuators through FLAT button and 9V batteries (not included) for emergency lowering
- Duty cycle: 10%, max. 2 min. continuous operation in 20 min.
- Electric shock protection level: Class II
- Color: Black
- Power cord: Refer to AC Power Cord

**Options:**

- Support external under bed light (5V DC, USB A-type), not included.

# Dimensions

---

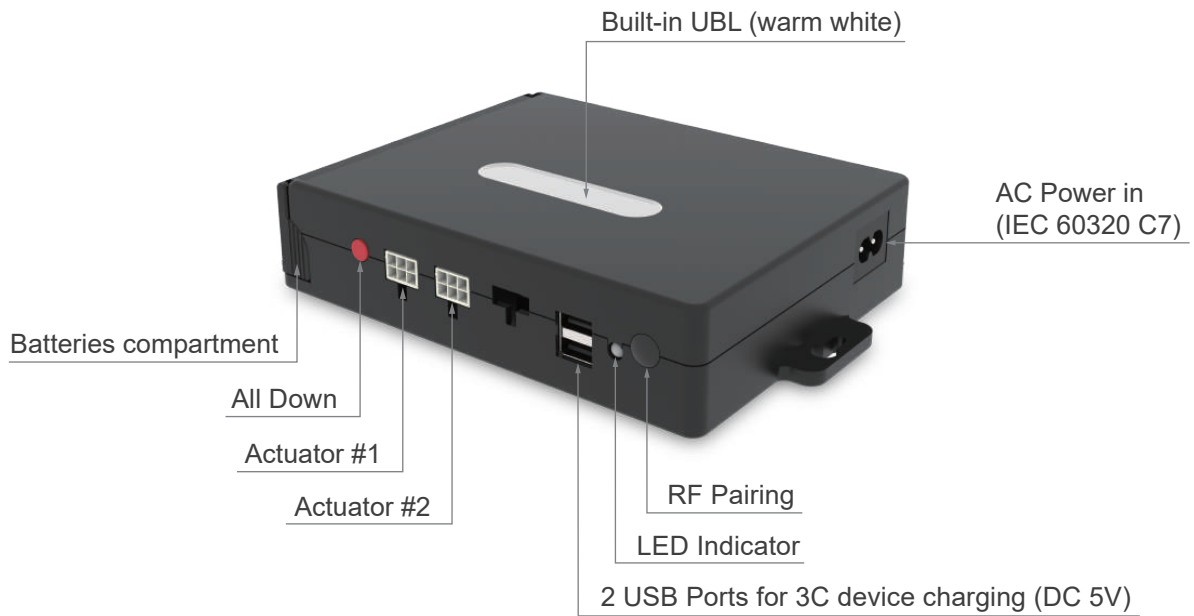


Unit: mm

## I/O Introduction

---

- Built-in under bed light type



- Support external under bed light type



Note: Other interfaces are the same as above.

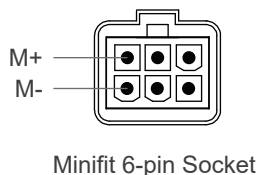
## Compatibility

Product	Model	Compatible requirement
Actuator	FD60	<ul style="list-style-type: none"> <li>• 24V, A4 option</li> <li>• With Moteck L3-type minifit 6-pin plug</li> </ul>
RF remote control	TXE, TXF	<ul style="list-style-type: none"> <li>• Default standard firmware version</li> </ul>

## Socket

### Actuator socket for L3-type minifit 6-pin plug

- Connect Pin (M+) to “+” & Pin (M-) to “-“ of DC power, the actuator will extend.



### External under bed light and USB charging socket for USB A-type plug



## AC Power cord

Plug type	Note
US Plug 	<ul style="list-style-type: none"> <li>• AC power cord length: 2000mm or 3000mm straight</li> <li>• IEC 60320 C7 type connector</li> </ul>
EU Plug 	
CEE 7/17(VDE 2P) Plug 	
UK Plug 	

## Ordering Key

		CF15	R	B	29	2	L	A3
Function version		<b>R:</b> Function version R						
Input voltage		<b>B:</b> Internal SMPS (29V/2A)						
Output voltage		<b>29:</b> 29V DC						
Number of actuators		<b>2:</b> 2 channels						
Lighting		<b>L:</b> Under bed light on box (standard) <b>E:</b> Support external under bed light (not included)						
AC Power cable (Refer to Page 4)		<b>A2:</b> US plug, 2000mm straight <b>A3:</b> US plug, 3000mm straight <b>C2:</b> EU plug, 2000mm straight <b>C3:</b> EU plug, 3000mm straight <b>G3:</b> UK plug, 3000mm straight <b>V3:</b> CEE 7/17(VDE) plug, 3000mm straight <b>00:</b> Without AC Power cord						

### Terms of Use

The user is responsible for application suitability of Moteck products. As ongoing improvement process continues, products listed on the Moteck website are subject to change without prior notice. Moteck reserves the right to terminate the sales or remove any product displayed on the website, or listed in its catalogues.