

Control Box

CBT2

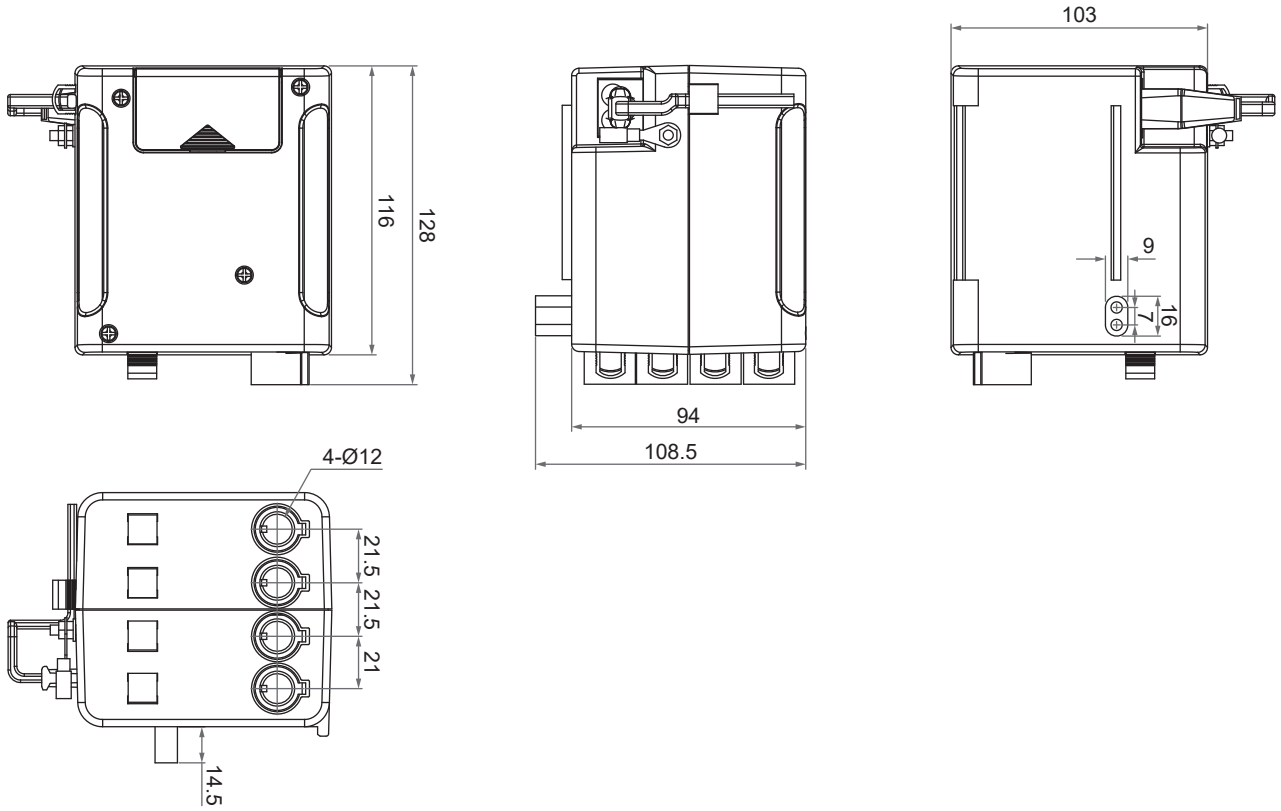
CBT2 control box features a detachable power cord design, which can respond more flexibly to various cord lengths and plug types.



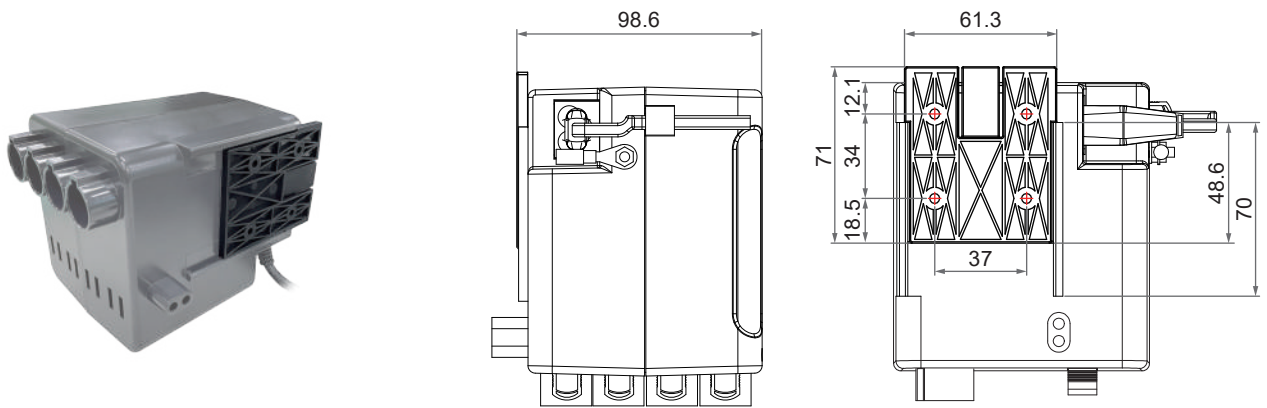
Features

- Main applications: Furniture, Home care
- Input: 100 / 120 / 230V AC (EI transformer), 100 ~ 240V AC, 50/60Hz (SMPS)
- Output voltage: 24V DC (EI transformer), 29V DC (SMPS)
- Output rated current: 3.0A (per channel)
- Max. number of actuators: 3 channels
- Max. number of controls: 1 channel
- Duty cycle: 10%, max. 2 min. continuous operation in 20 min.
- Over-current protection function
- Emergency lowering against power outage, to retract actuators with 9V batteries (not included)
- Color: Black, grey RAL 7001
- Electric shock protection level: Class I, Class II
- 2-Pin / 3-Pin Detachable AC Power cord: 2000mm
- Mounting: Attached to FD60 actuator or assembly with mounting plate to fix the wall (Refer to *Dimensions*)
- Certified: CE Marking, EMC Directive 2014/30/EU and 2004/108/EC, LVD Directive 2014/35/EU and 2006/95/EC

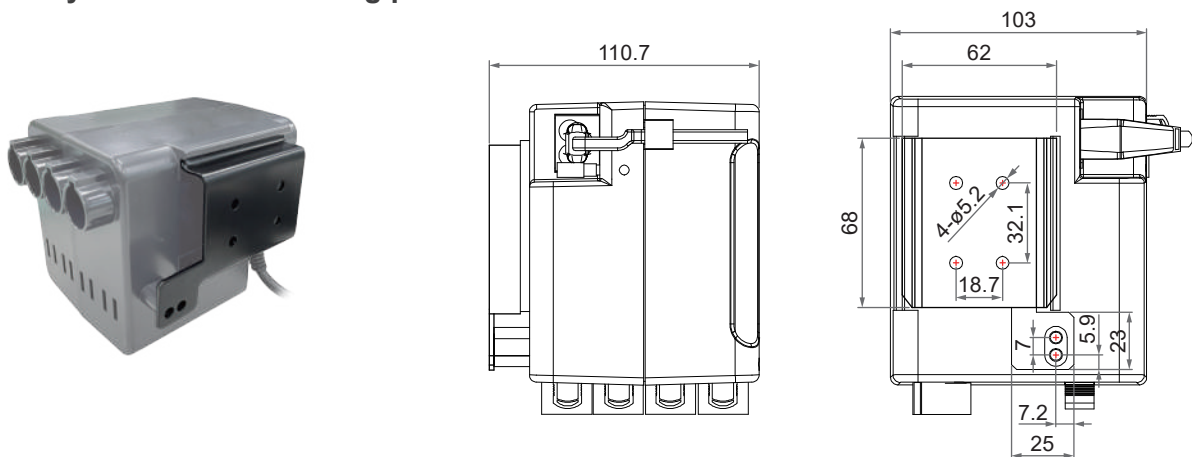
Dimensions



- Assembly with plastic mounting plate

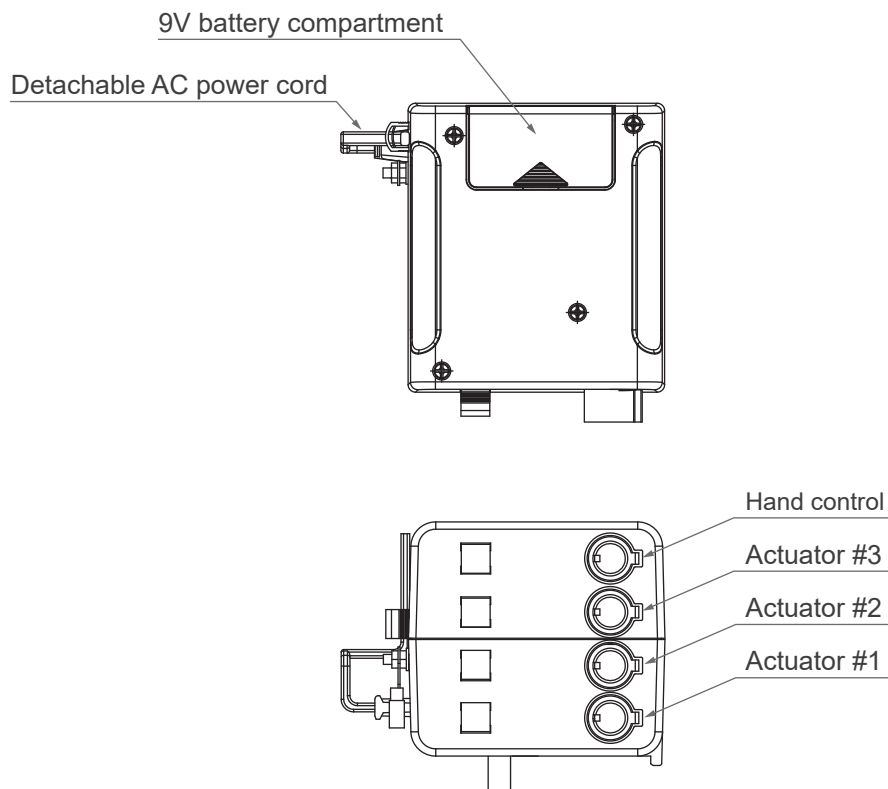


- Assembly with metal mounting plate



Unit: mm

I/O Introduction

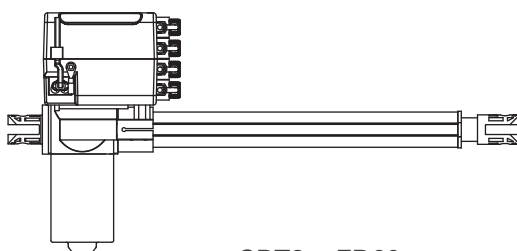


Compatibility

Product	Model	Compatible requirement
Actuator	BD61, BD62, FD40, FD60*, FD61, GD70	<ul style="list-style-type: none"> • Without positioning sensors • With Moteck F-type DIN plug
Hand control	DKP4, DP05, DP11, HDU, HR, HD, HJ, HM, H2N, H2Z	<ul style="list-style-type: none"> • Moteck P1 control category • With Moteck F-type DIN plug
Wireless option	TXA 2.4GHz RF adapter TBA Bluetooth adapter	<ul style="list-style-type: none"> • Moteck P1 control category • With Moteck F-type DIN plug

*** Remarks:**

CBT2 control box can be attached on FD60 actuator.

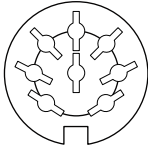


CBT2 + FD60

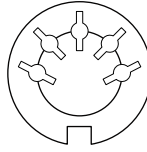
Socket

Hand control socket for Moteck F-type DIN plug

- 3 drives model
- 1 drive model / 2 drives model

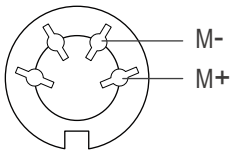


8-pin socket



5-pin socket

Actuator socket for Moteck F-type DIN plug



4-pin socket

Note: Connect M+ to "Vdc +" & M- to "Vdc -" of DC power to extend the motor.
Switch the polarity of DC input to retract it.



F-type plug

Ordering Key

CBT2 - 230 - 24 - 3 - 0 B 0 - 2 2

Input	100: 100V AC 120: 120V AC 230: 230V AC IS2: Internal SMPS (100~240V AC)
Output voltage	24: 24V DC 29: 29V DC (SMPS)
Number of actuators	1: 1 channel 2: 2 channels 3: 3 channels
Mounting	0: Attached to FD60 actuator (standard) 1: Assembly with plastic mounting plate 2: Assembly with metal mounting plate
Color	B: Black (standard) 1: Grey RAL 7001
Reserved	0
Inlet power socket type	2: Inlet 2-Pin Power socket (IEC 60320 C8 type), electrical protection Class II 3: Inlet 3-Pin Power socket (IEC 60320 C6 type), electrical protection Class I
Power cord	2: 2000mm straight (standard) 3: 3000mm straight 0: None



For more information about operating guide, refer to the respective product data sheets of the control devices connected.

Terms of Use

The user is responsible for application suitability of Moteck products. As ongoing improvement process continues, products listed on the Moteck website are subject to change without prior notice. Moteck reserves the right to terminate the sales or remove any product displayed on the website, or listed in its catalogues.