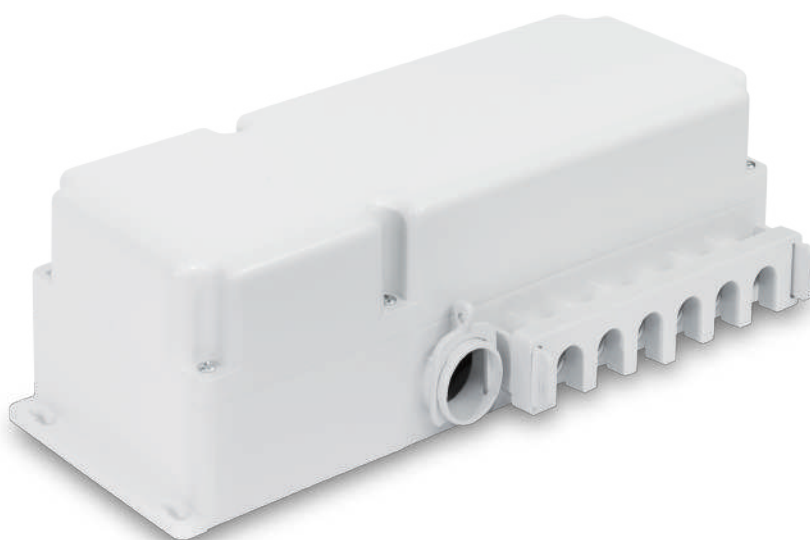


Control Box

CB4P

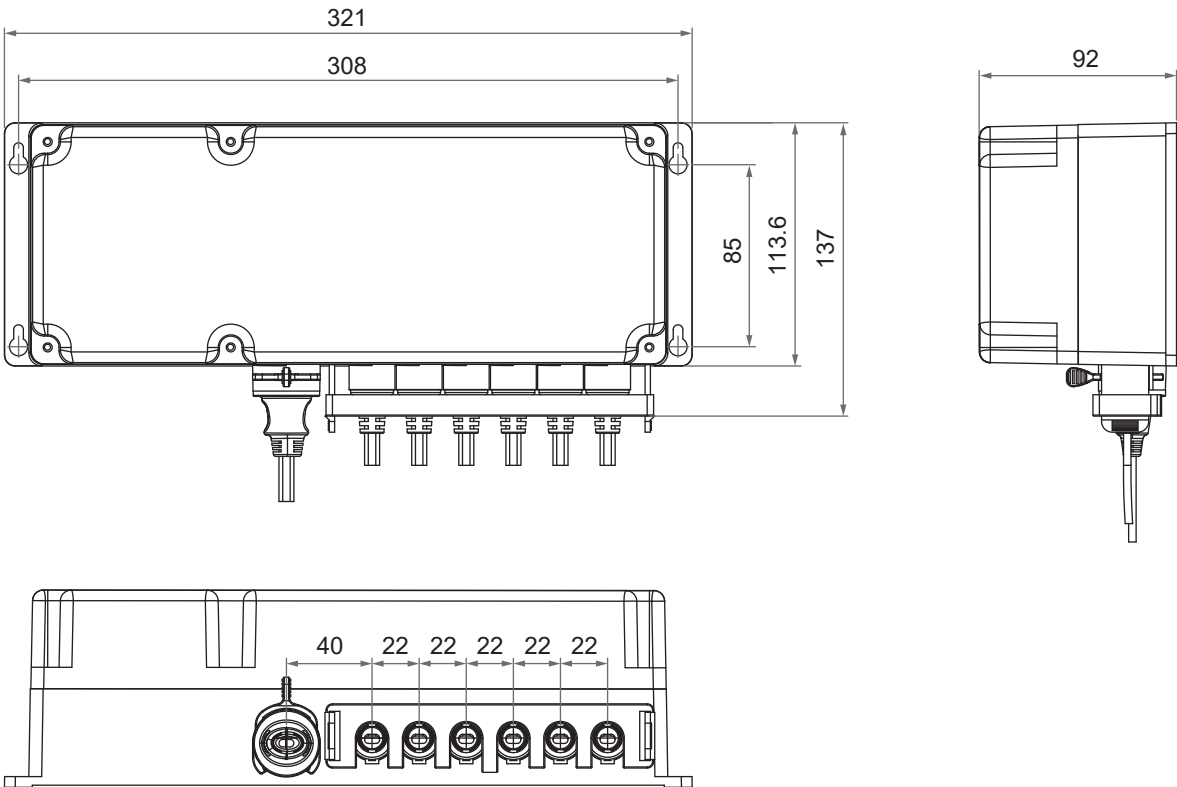
CB4P control box is mainly designed for the medical care applications, such as hospital bed and nursing bed. With the optional High Power and Synchronization functions, there are three versions in this series as CB4P, CB4P-SY and CB4P-HP.



Features

- Main applications: Medical, home care
- Input: 110V AC 60Hz / 230V AC 50Hz
- Output voltage: 24V DC
- Output rated current: Refer to Compatibility (p.4)
- Power supply: Toroidal transformer 156W / 180W / 216W
- Max. number of actuators: 4 channels
- Max. number of controls: 2 channels
- Duty cycle: 10%, max. 2 min. continuous operation in 20 min.
- Over-current protection function
- IP level: IP54, IPX6
- Electric shock protection level: Class I
- Color: Light grey RAL 7035
- 3-Pin detachable AC power cord: 3000mm
- CE Marking: EN IEC 60601-1, EN IEC 60601-1-2 (for CB4P only)
- Rechargeable lead-acid battery (1.3 Ah)

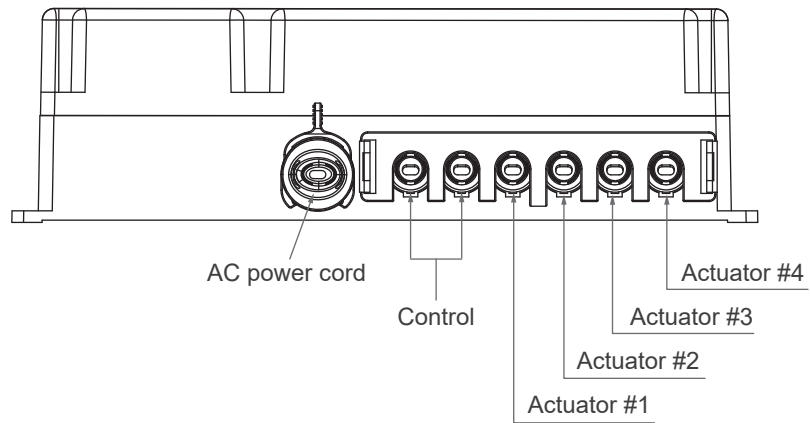
Dimensions



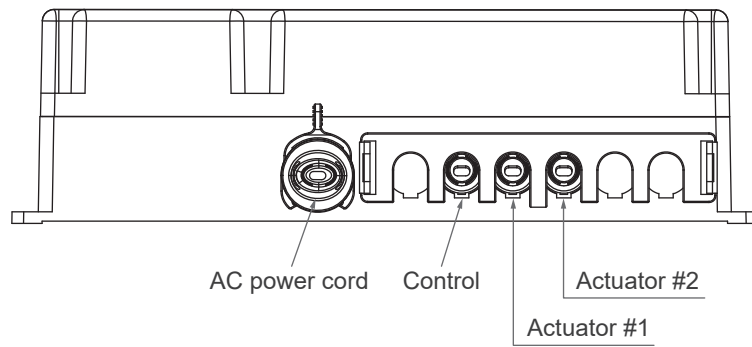
Unit: mm

I/O Introduction

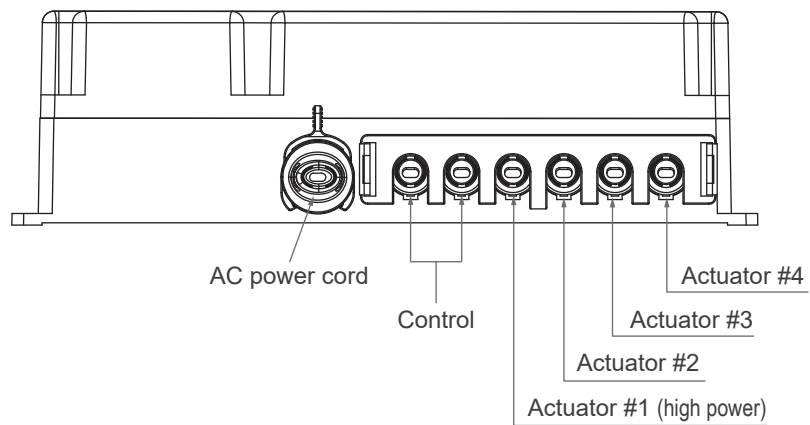
Standard (CB4P)



Synchronization version (CB4P-SY)



High power version (CB4P-HP)



Compatibility

Actuators

Version	Actuator port	Compatible models	Compatible requirement
CB4P (Standard)	Max. 4 channels with max. 3A current per channel.	MD66, MD7, MD21, DLC1, DLC2	<ul style="list-style-type: none"> Without positioning sensor With Moteck H-type DIN plug
CB4P-SY (Synchronization)	2 channels with max. 4.5A current per channel.	MD60, DLC1	<ul style="list-style-type: none"> Dual Hall effect sensors With Moteck H-type DIN plug
CB4P-HP (High power)	1 channel with max. 9A current.	MD80, MD100	<ul style="list-style-type: none"> Without positioning sensor With Moteck J2-type phone jack
	Max. 3 channels with max. 3A current per channel.	MD66, MD7, MD21	<ul style="list-style-type: none"> Without positioning sensor With Moteck H-type DIN plug



The feedback signal phase of dual Hall effect sensors from actuators must be “Type A” defined by Moteck in order to be compatible with CB4P-SY.

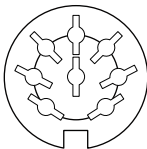
Controls

Version	Control port	Compatible models	Compatible requirement
CB4P (Standard)	Max. 2 channels	HC, HF, HT, H3F, H3T, HS12, FS2	<ul style="list-style-type: none"> Moteck P1 control category With Moteck H-type DIN plug
CB4P-SY (Synchronization)	Max. 1 channel	HC	<ul style="list-style-type: none"> Moteck S1 control category With Moteck H-type DIN plug
CB4P-HP (High power)	Max. 2 channels	HC, HF, HT, H3F, H3T, HS12, FS2	<ul style="list-style-type: none"> Moteck P1 control category With Moteck H-type DIN plug

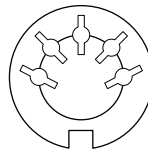
Socket

Control socket for Moteck H-type DIN plug

- CB4P (Standard): Moteck P1 control category
 - 3 drives model / 4 drives model
 - 2 drives model

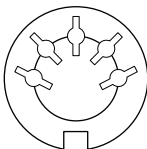


8-pin socket



5-pin socket

- CB4P-SY (Synchronization version): Moteck S1 control category



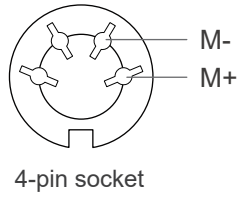
5-pin socket



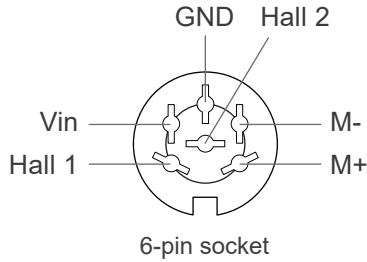
H-type plug

Actuator socket for Moteck H-type DIN plug

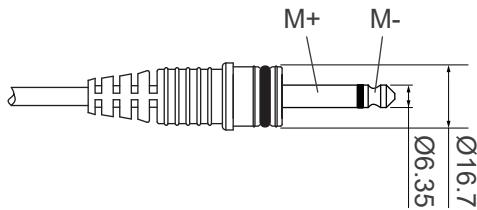
- Without positioning feedback sensors



- Positioning feedback with Hall effect sensor x 1 or x 2



Actuator socket for J2-type Phone jack



Note: Connect M+ to "Vdc +" & M- to "Vdc -" of DC power to extend the actuator. Switch the polarity of DC input to retract it.



H-type plug



J2-type plug

• AC Power cord

Plug type (plug in the wall)	Connector type (plug in the control box)	Remarks
US 3-pin plug 	IEC 60320 C13 type connector 	<ul style="list-style-type: none"> • AC power cord length: 3000mm straight • Color: Light grey RAL 7035
CEE 7/17(VDE 3P) plug 		
UK 3-pin plug 		
CHINA CCC 3-pin plug 		

Ordering Key

Standard (CB4P)

CB4P - 230 - 24 - 2 - 4 - CG - BA

Input voltage	110: 110V AC 230: 230V AC
Output voltage	24: 24V DC
Number of control	1: 1 channel 2: 2 channels
Number of actuator	3: 3 channels 4: 4 channels
Charger function	Standard
Battery	Blank: Without battery BA: With battery

Synchronization version (CB4P-SY)

CB4P - 230 - 24 - 1 - 2 - SY - CG - BA

Input voltage	110: 110V AC 230: 230V AC
Output voltage	24: 24V DC
Number of control	1: 1 channel
Number of actuator	2: 2 channels
Synchronization function	SY: Synchronization for 2 actuators
Charger function	Standard
Battery	Blank: Without battery BA: With battery

High power version (CB4P-HP)

CB4P - 230 - 24 - 2 - 4 - HP - CG - BA

Input voltage	110: 110V AC 230: 230V AC
Output voltage	24: 24V DC
Number of control	1: 1 channel 2: 2 channels
Number of actuator	3: 3 channels 4: 4 channels
High power type	HP: High power for 1 actuator
Charger function	Standard
Battery	Blank: Without battery BA: With battery

Terms of Use

The user is responsible for the suitability of MOTECK products, and the products listed on the MOTECK website are subject to change without notice. MOTECK reserves the right to terminate sales or delete any products displayed on the website or listed in its catalog.