

CB3T-SYD Control Box

CB3T-SYD is designed for industrial application, which outputs 12VDC and drives 2 actuators (dual Hall effect sensors) synchronously. 12VDC/AC external power supply is needed for this control box.

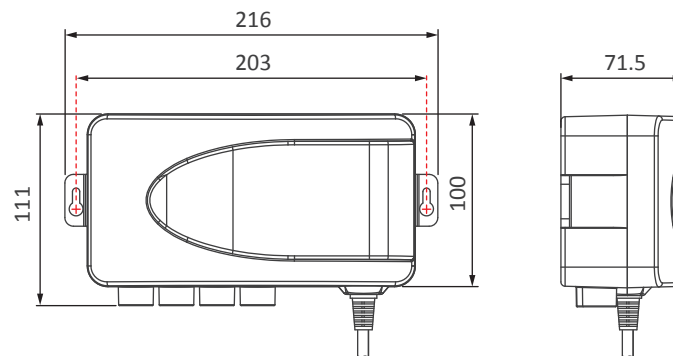
Usage Condition

- Input voltage: 12V DC/AC
- Duty cycle: 10%, max. 2 min. continuous operation in 20 min.
- IP Protection level: IP20

Connection Diagram



Dimension



Hand Control Operation Guide

(HR hand control of low current signal version is used as an example here.)

- Stroke learning:

For first time use, or in the case that any 2 actuators are re-connected again, it's required to proceed with the learning process first. Press "UP" and "DOWN" buttons at the same time until the actuators start to move, they will extend to the top and automatically retract back to the bottom. Once it's finished, the system is ready for normal operation.

- Operation:

- ① Press "UP" to extend 2 actuators synchronously.
- ② Press "DOWN" to retract 2 actuators synchronously.

