

Control Box CB3T-SYD

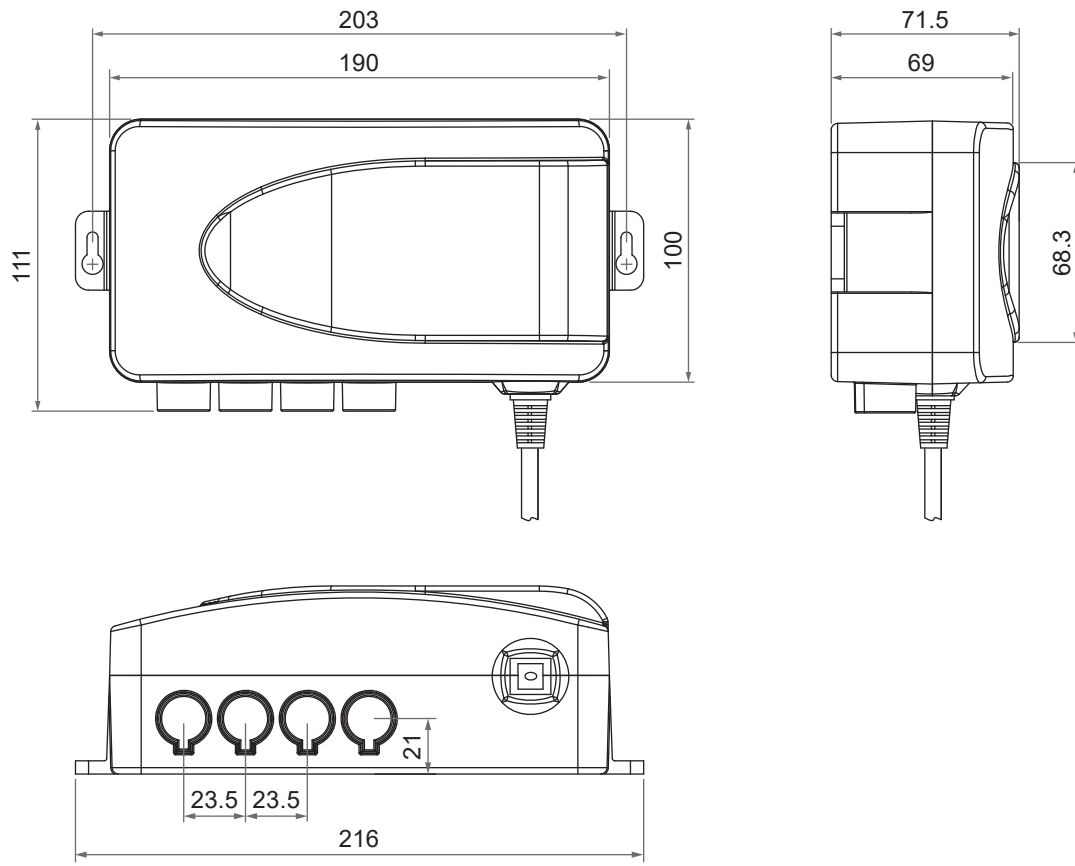
CB3T-SYD is designed for industrial application, which outputs 12VDC and drives 2 actuators (dual Hall effect sensors) synchronously. 12VDC/AC external power supply is needed for this control box.



Features

- Main application: Industrial
- Input voltage: 12V DC/AC
- Output voltage: 12V DC
- Max. current: 5A (per channel @12V DC)
- Max. number of actuators: 2 channels (synchronization)
- Max. number of controls: 1 channel
- Duty cycle: 10%, max. 2 min. continuous operation in 20 min.
- Over-current protection function
- Color: Black
- Power cord length: 3000mm
- Certified: CE Marking, EMC Directive 2014/30/EU

Dimensions



Unit: mm

I/O Introduction



Compatibility

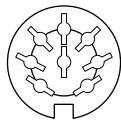
Product	Compatible models	Compatible requirement
Actuator	LD3, LD20, LD36, FD60, FD61	<ul style="list-style-type: none"> • 12V DC motor • With dual Hall effect sensors • With Moteck F-type DIN plug
Hand control	HI, HM, HDU2, H2N, H3F, HR, DKP4, DP05, DP11	<ul style="list-style-type: none"> • 2 buttons, synchronously extend and retract 2 actuators. • Moteck P2 control category or P1 control category without LED indicator, without memory function. • With Moteck F-type DIN plug



The feedback signal phase of dual Hall effect sensors from actuators must be “Type A” defined by notice Moteck in order to be compatible with CB3T-SYD.

Socket

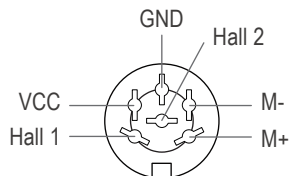
Hand control socket for Moteck F-type DIN plug



8-pin socket

Actuator socket for Moteck F-type DIN plug

- With dual Hall effect sensors



6-pin socket

Note: Connect M+ to “Vdc +” & M- to “Vdc -” of DC power to extend the motor. Switch the polarity of DC input to retract it.



F-type plug

Terms of Use

The user is responsible for application suitability of Moteck products. As ongoing improvement process continues, products listed on the Moteck website are subject to change without prior notice. Moteck reserves the right to terminate the sales or remove any product displayed on the website, or listed in its catalogues.