

# Control Box

## CB2P

CB2P is specially designed for medical and home care applications. With its compact design, it can be attached to actuator MD60, MD66 or MD7 as an integrated set.



### Features

---

- Main applications: Medical, Home care
- Input: 110V AC 60Hz / 230V AC 50Hz (EI transformer), 100 ~ 240V AC, 50/60Hz (SMPS)
- Output voltage: 24V DC (EI transformer), 29V DC (SMPS)
- Output rated current: 3A (per channel)
- Max. number of actuators: 2 channels
- Max. number of controls: 1 channel
- Duty cycle: 10%, max. 2 min. continuous operation in 20 min.
- IP level: IP65
- Over-current protection function
- Emergency lowering against power outage, to retract actuators with 9V batteries (not included)
- Electric shock protection level: Class II
- Color: Light grey RAL 7035
- Power cord length: 3000mm
- CE Marking: EN IEC 60601-1, EN IEC 60601-1-2

## Option

---

- C Clip: To fix CB2P onto MD60, MD66 or MD7 actuators



MD60+CB2P



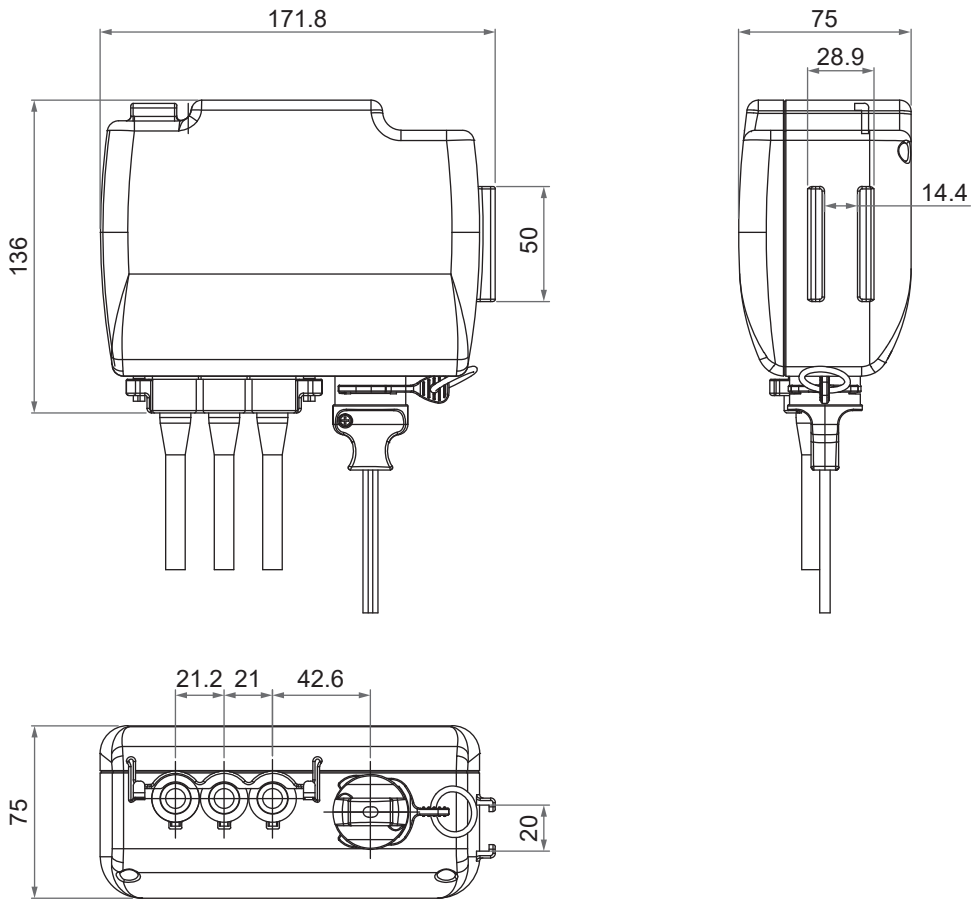
MD66+CB2P



MD7+CB2P

# Dimensions

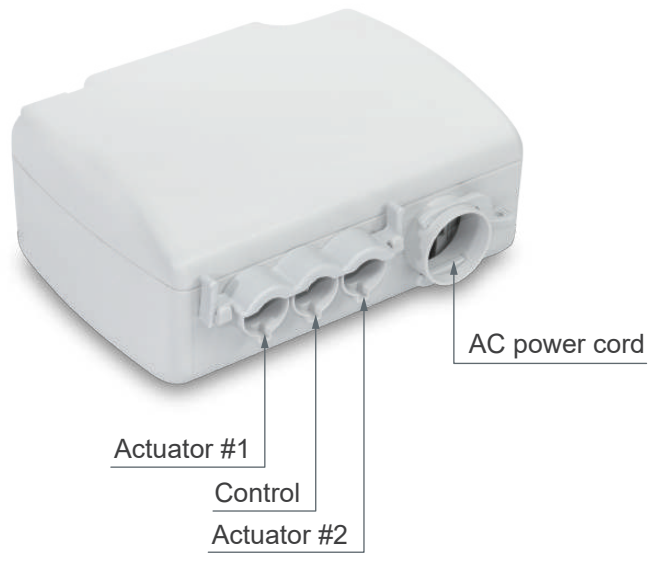
---



Unit: mm

# I/O Introduction

---



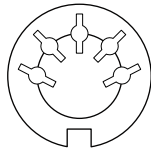
## Compatibility

Product	Model	Compatible requirement
<b>Actuator</b>	MD21, MD60, MD66, MD7	<ul style="list-style-type: none"> <li>Without positioning sensor</li> <li>With Moteck H-type or V-type DIN plug</li> </ul>
<b>Control</b>	HC, HF, H3F, HT, H3T, HS12, FS1, FS2	<ul style="list-style-type: none"> <li>Moteck P1 control category</li> <li>With Moteck H-type or V-type DIN plug</li> </ul>

## Socket

### Control socket for Moteck H-type or V-type DIN plug

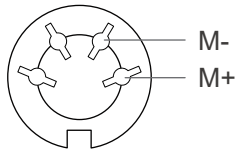
- 1 drive model / 2 drives model



5-pin socket

### Actuator socket for Moteck H-type or V-type DIN plug

- Without positioning feedback sensors



4-pin socket



H-type plug



V-type plug

**Note:** Connect M+ to "Vdc +" & M- to "Vdc -" of DC power to extend the actuator.  
Switch the polarity of DC input to retract it.

### • AC Power cord

Plug type (plug in the wall)	Connector type (plug in the control box)	Remarks
US 2-pin plug 	IEC 60320 C17 type connector 	<ul style="list-style-type: none"> <li>AC power cord length: 3000mm straight</li> <li>Color: Light grey RAL 7035</li> </ul>
EU 2-pin plug 		

## Ordering Key

**CB2P - 230 - 24 - 1 - 2**

<b>Input</b>	<b>110:</b> 110V AC <b>230:</b> 230V AC <b>IS2:</b> Internal SMPS (100 ~ 240V AC)
<b>Output voltage</b>	<b>24:</b> 24V DC
<b>Number of control</b>	<b>1:</b> 1 channel
<b>Number of actuator</b>	<b>1:</b> 1 channel <b>2:</b> 2 channels

### Terms of Use

The user is responsible for the suitability of MOTECK products, and the products listed on the MOTECK website are subject to change without notice. MOTECK reserves the right to terminate sales or delete any products displayed on the website or listed in its catalog.