

Battery Box

BTP3

BTP3 is a rechargeable battery box containing 1.3Ah lead-acid batteries. Its waterproof design reaches IPX6 level. It can be turned off by pressing the button to keep the battery level for longer when not in use. It also has an LED indicator to show the charging status. BTP3 can be used as a backup power supply for the electric actuator control system, suitable for medical care applications.



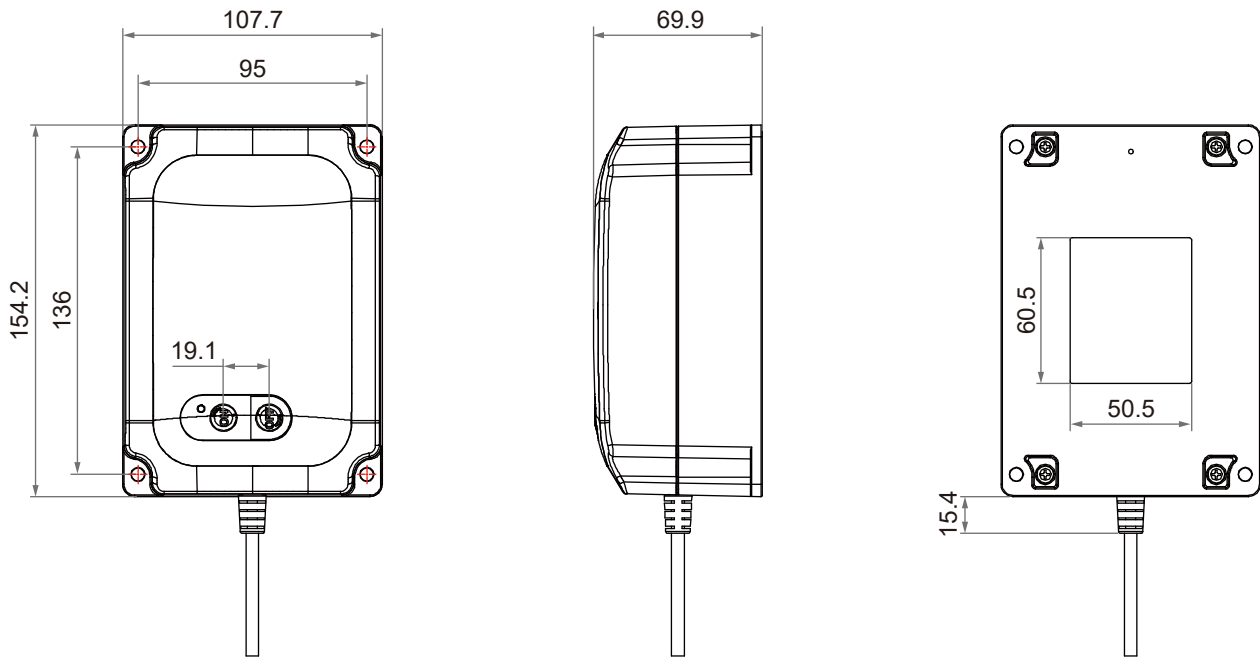
Features

Main applications: Medical Care

- Output voltage: 24V DC
- Charging input voltage: 32V DC
- 1.3Ah Lead-acid battery
- IP Level: IPX6
- ON / OFF buttons to keep the battery when not in use.
- LED power on indicator
- Cable plug: MOTECK L6-type minifit 4-pin plug, 1000mm length
- Color: Light gray (RAL 7035)

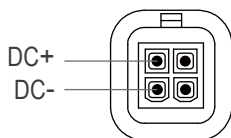
Dimensions

Unit: mm

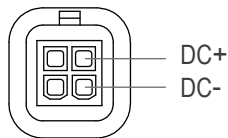


Compatibility

Product	Model	Compatible requirement
Control box	CM41-M	<ul style="list-style-type: none"> • With MOTECK L6-type minifit 4-pin connector • Output charging voltage: 32V DC



minifit 4-pin connector

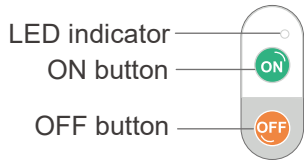




minifit 4-pin plug



L6-type

Instruction



Function	Button	Instruction	Indicator
Turn off	OFF	While the charging voltage is not input, you may press OFF button to turn off all BTP3 functions to maintain battery power.	 Off light
Turn on	ON	1. Connect to the control box and plug its AC power to start charging the BTP3, which will automatically turn on the BTP3 function. 2. Or when the control box is not connected to AC power, press the ON button to turn on the BTP3 function.	 Solid ON green



- Before the first use, please fully charge the battery to achieve its proper function and prolong the lifetime of the batteries.
- The batteries must be charged at least every 3 months. Otherwise, batteries may be damaged due to over self-discharge.
- Charging time: Approx. 6 hours
- Fully charged BTP3 can support using for approx. 16 times in control system under the following conditions of linear actuator:
 - 6000N load
 - 200 mm stroke

Terms of Use

The user is responsible for application suitability of Moteck products. As ongoing improvement process continues, products listed on the Moteck website are subject to change without prior notice. Moteck reserves the right to terminate the sales or remove any product displayed on the website, or listed in its catalogues.