

AC Lock Box

ACLB



Features

- ◆ ACLB is designed for nursing staff to cut off AC mains to prevent patient from any unsafe operation on medical equipment. It is very easy to use by removing the key for mains cut-off, and plugging the key for power on.
- ◆ Main applications : homecare, medical
- ◆ Input voltage : 120 / 230V AC
- ◆ Stand-by power consumption : 2VA
- ◆ Max. power consumption : 414VA
- ◆ Input power cable length : 3m
- ◆ Output power cable length : 1m
- ◆ Color : Grey
- ◆ IP protection level : IP54
- ◆ LED indicator with green light on while AC power connected

Options



- ◆ Two types of output plug to adapt control boxes.
- ◆ IP protection level : IP65

Compatibility

1. Control Box

CB4P / MD7C (output plug Type A)

CBP1 / CBP2 / MD6C (output plug Type B)

output plug Type A : CB4P / MD7C	output plug Type B : CBP1 / CBP2 / MD6C
	

2. Actuator

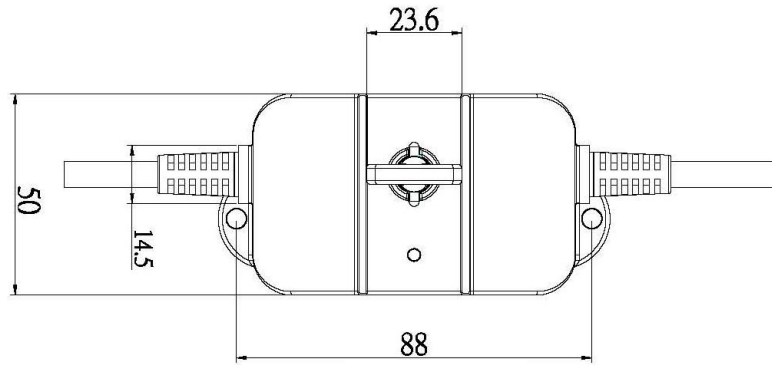
N/A

3. Accessory

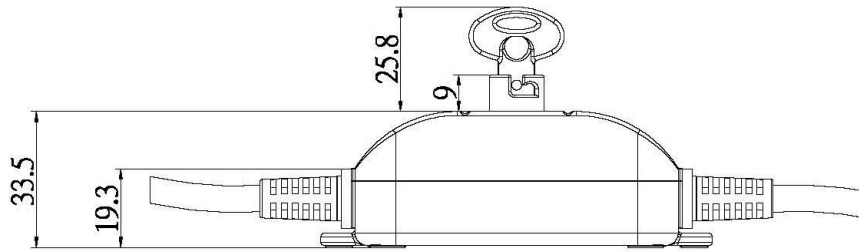
N/A

Dimension

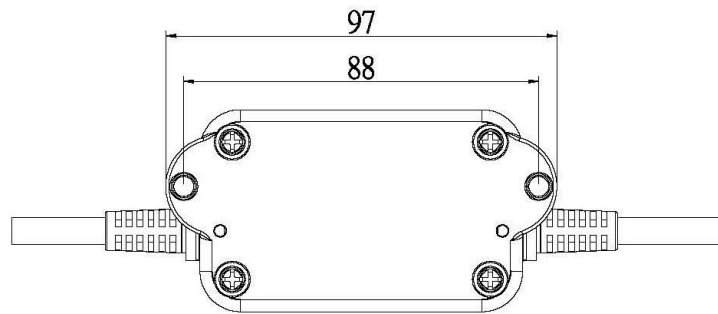
Unit: mm



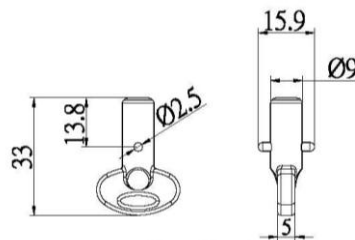
Top View



Side View

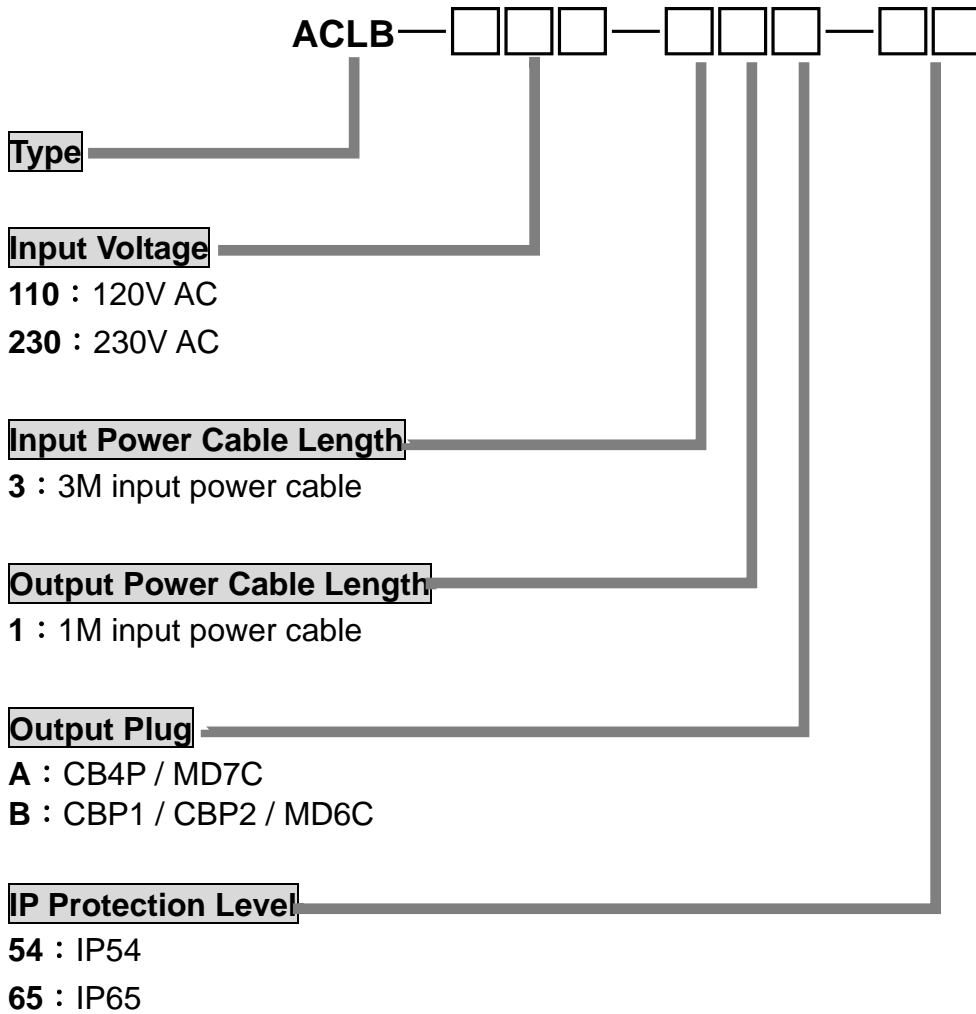


Bottom View



Key

Ordering Key



Terms of Use

The user is responsible for determining the suitability of MOTECK products for specific applications. Due to continuous development in order to improve its products, MOTECK products are subject to frequent modifications and changes without prior notice. MOTECK reserves the right to discontinue the sale of any products displayed on its website or listed in its catalogue or other written materials drawn up by MOTECK.